

1260 VXI SWITCHING CARD

1260-38 MULTIPLEXER / SCANNER

PUBLICATION NO. 980673-037

RACAL INSTRUMENTS

Racal Instruments, Inc.

4 Goodyear St., Irvine, CA 92618-2002
Tel: (800) RACAL-ATE, (800) 722-2528, (949) 859-8999; FAX: (949) 859-7139

Racal Instruments, Ltd.

480 Bath Road, Slough, Berkshire, SL1 6BE, United Kingdom
Tel: +44 (0) 1628 604455; FAX: +44 (0) 1628 662017

Racal Systems Electronique S.A.

18 Avenue Dutartre, 78150 LeChesnay, France
Tel: +33 (1) 3923 2222; FAX: +33 (1) 3923 2225

Racal Systems Elettronica s.r.l.

Strada 2-Palazzo C4, 20090 Milanofiori Assago, Milan, Italy
Tel: +39 (0)2 5750 1796; FAX +39 (0)2 5750 1828

Racal Elektronik System GmbH.

Technologiepark Bergisch Gladbach, Friedrich-Ebert-Strasse, D-51429 Bergisch Gladbach, Germany
Tel.: +49 2204 8442 00; FAX: +49 2204 8442 19

Racal Australia Pty. Ltd.

3 Powells Road, Brookvale, NSW 2100, Australia
Tel: +612 9936 7000, FAX: +612 9936 7036

Racal Electronics Pte. Ltd.

26 Ayer Rajah Crescent, 04-06/07 Ayer Rajah Industrial Estate, Singapore 0513.
Tel: +65 7792200, FAX: +65 7785400

Racal Instruments, Ltd.

Unit 5, 25F., Mega Trade Center, No 1, Mei Wan Road, Tsuen Wan, Hong Kong, PRC
Tel: +852 2405 5500, FAX: +852 2416 4335

<http://www.racalstruments.com>

The RACAL logo consists of the word "RACAL" in a bold, italicized, sans-serif font. Each letter is contained within a rectangular box, and the boxes are slightly offset to create a sense of depth and movement.

PUBLICATION DATE: March 2, 2001

Copyright 2001 by Racal Instruments, Inc. Printed in the United States of America. All rights reserved.
This book or parts thereof may not be reproduced in any form without written permission of the publisher.

WARRANTY STATEMENT

All Racal Instruments, Inc. products are designed and manufactured to exacting standards and in full conformance to Racal's ISO 9001 procedures.

For the specific terms of your standard warranty, or optional extended warranty or service agreement, contact your Racal customer service advisor. Please have the following information available to facilitate service.

1. Product serial number
2. Product model number
3. Your company and contact information

You may contact your customer service advisor by:

E-Mail:	Helpdesk@racalstruments.com	
Telephone:	+1 800 722 3262	(USA)
	+44(0) 8706 080134	(UK)
	+852 2405 5500	(Hong Kong)
Fax:	+1 949 859 7309	(USA)
	+44(0) 1628 662017	(UK)
	+852 2416 4335	(Hong Kong)

RETURN of PRODUCT

Authorization is required from Racal Instruments before you send us your product for service or calibration. Call your nearest Racal Instruments support facility. A list is located on the last page of this manual. If you are unsure where to call, contact Racal Instruments, Inc. Customer Support Department in Irvine, California, USA at 1-800-722-3262 or 1-949-859-8999 or via fax at 1-949-859-7139. We can be reached at:

helpdesk@racalstruments.com.

PROPRIETARY NOTICE

This document and the technical data herein disclosed, are proprietary to Racal Instruments, and shall not, without express written permission of Racal Instruments, be used, in whole or in part to solicit quotations from a competitive source or used for manufacture by anyone other than Racal Instruments. The information herein has been developed at private expense, and may only be used for operation and maintenance reference purposes or for purposes of engineering evaluation and incorporation into technical specifications and other documents which specify procurement of products from Racal Instruments.

FOR YOUR SAFETY

Before undertaking any troubleshooting, maintenance or exploratory procedure, read carefully the **WARNINGS** and **CAUTION** notices.

This equipment contains voltage hazardous to human life and safety, and is capable of inflicting personal injury.

If this instrument is to be powered from the AC line (mains) through an autotransformer, ensure the common connector is connected to the neutral (earth pole) of the power supply.

Before operating the unit, ensure the conductor (green wire) is connected to the ground (earth) conductor of the power outlet. Do not use a two-conductor extension cord or a three-prong/two-prong adapter. This will defeat the protective feature of the third conductor in the power cord.

Maintenance and calibration procedures sometimes call for operation of the unit with power applied and protective covers removed. Read the procedures and heed warnings to avoid "live" circuit points.

Before operating this instrument:

1. Ensure the instrument is configured to operate on the voltage at the power source. See Installation Section.
2. Ensure the proper fuse is in place for the power source to operate.
3. Ensure all other devices connected to or in proximity to this instrument are properly grounded or connected to the protective third-wire earth ground.

If the instrument:

- fails to operate satisfactorily
- shows visible damage
- has been stored under unfavorable conditions
- has sustained stress

Do not operate until performance is checked by qualified personnel.

This page was left intentionally blank.

NOTE FOR SYSTEMS WITH 1260-OPT 01T

The “Module-Specific Syntax” section of this manual shows the command syntax for the 1260-01S Smart Card. If you are using the newer 1260-01T Smart Card, the commands will NOT work as shown.

Consult the 1260-01T Manual for a description of the commands that may be used with the 1260-01T Smart Card.

The channel numbers described in this manual are valid for the 1260-01T. The channel numbers continue to be used for the 1260-01T.

The syntax of the commands that use channel numbers has changed for those cards controlled by the 1260-01T.

The new syntax used to close a channel is:

```
CLOSE (@ <module address> ( <channel> ) )
```

For example, with for a relay module whose <module address> is set to 7, closing <channel> 0 is performed with the command:

```
CLOSE (@ 7 (0))
```

Using the older 1260-01S, the command would be (as shown in this manual):

```
CLOSE 7.0
```

Many other command syntax differences exist. Please consult chapter 2 of the 1260-01T manual for a description of the commands which are available for the 1260-01T.

Control Information for the 1260-38A and 1260-38B

The following information describes the control-register-to-relay-channel mapping for a 1260-38A or 1260-38B Relay Module. This information may be used to control the module when using a 1260-01T in the register-based mode of operation.

Each channel on this module is controlled by setting or clearing a single bit. Control Registers on the module operate 8 channels simultaneously. There are eight control bits per Control Register. Setting the bit to a 1 closes the relay; setting the bit to a 0 opens the relay.

The table below shows the mapping between logical channels used to operate the relay module in message-based mode and the bits within the Control Registers that may be used to operate the channel in register-based mode.

Each Control Register is located 2 addresses from the previous Control Register. This is shown in Table 2-2 of the 1260-01T manual. Control Register 0 is located at the "Base A24 Address" for the module. Consult the "Register-Based Operation" Section of Chapter 2 of the 1260-01T manual for a description of calculating control register addresses.

Note that when the 1260-01T message-based interface is used, ODD MUXes (channels 10 through 17, 30 through 37, channels 50 through 57, ..., 150 through 157) are operated in parallel with EVEN MUXes to operate as a 4-wire MUX. That is, when channel 0 is closed using the message-based interface with a 1260-38B, the firmware also closes channel 10; when channel 143 is opened, the firmware opens channel 153 as well.

Channel	Control Register	Control Bit
0	0	0
1	0	1
2	0	2
3	0	3
4	0	4
5	0	5
6	0	6
7	0	7
10*	1	0
11*	1	1
12*	1	2
13*	1	3
14*	1	4
15*	1	5
16*	1	6
17*	1	7
20	2	0
21	2	1
22	2	2
23	2	3
24	2	4
25	2	5
26	2	6
27	2	7
30*	3	0
31*	3	1
32*	3	2
33*	3	3
34*	3	4
35*	3	5
36*	3	6
37*	3	7
40	4	0
41	4	1
42	4	2
43	4	3
44	4	4

Channel	Control Register	Control Bit
45	4	5
46	4	6
47	4	7
50*	5	0
51*	5	1
52*	5	2
53*	5	3
54*	5	4
55*	5	5
56*	5	6
57*	5	7
60	6	0
61	6	1
62	6	2
63	6	3
64	6	4
65	6	5
66	6	6
67	6	7
70*	7	0
71*	7	1
72*	7	2
73*	7	3
74*	7	4
75*	7	5
76*	7	6
77*	7	7
80	8	0
81	8	1
82	8	2
83	8	3
84	8	4
85	8	5
86	8	6
87	8	7
90*	9	0
91*	9	1
92*	9	2
93*	9	3
94*	9	4
95*	9	5
96*	9	6
97*	9	7
100	10	0
101	10	1
102	10	2
103	10	3
104	10	4
105	10	5
106	10	6
107	10	7
110*	11	0
111*	11	1
112*	11	2
113*	11	3
114*	11	4
115*	11	5
116*	11	6
117*	11	7
120	12	0
121	12	1
122	12	2
123	12	3
124	12	4
125	12	5

Channel	Control Register	Control Bit
126	12	6
127	12	7
130*	13	0
131*	13	1
132*	13	2
133*	13	3
134*	13	4
135*	13	5
136*	13	6
137*	13	7
140	14	0
141	14	1
142	14	2
143	14	3
144	14	4
145	14	5
146	14	6
147	14	7
150*	15	0
151*	15	1
152*	15	2
153*	15	3
154*	15	4
155*	15	5
156*	15	6
157*	15	7
1000	16	1
1001**	16	2
1002**	16	0
2000	16	5
2001**	16	6
2002**	16	4
3000	17	1
3001**	17	2
3002**	17	0
4000	17	5
4001**	17	6
4002**	17	4
5000	18	1
5001**	18	2
5002**	18	0
6000	18	5
6001**	18	6
6002**	18	5
7000	19	1
7001**	19	2
7002**	19	0
8002**	19	4
9000	16	3
9001	16	7
9002	17	3
9003	17	7
9004	18	3
9005	18	7
9006	19	3
9007	19	5

* This channel is operated automatically by the firmware for the 1260-38B when controlled using the message-based interface. This channel is NOT programmable when using the message-based interface for the 1260-38B. This channel is set to the same state as the corresponding even MUX channel (e.g. when channel 127 is closed, channel 137 is closed automatically by the firmware; when channel 24 is opened, channel 34 is also opened by the firmware).

** This channel is not available when programming a 1260-38B in message-based mode.

Table of Contents

Chapter 1

MODULE SPECIFICATION	1-1
Introduction	1-1
1260-38 Module Specification	1-2
Ordering Information	1-5
Safety	1-5
Product Support	1-5

Chapter 2

INSTALLATION INSTRUCTIONS.....	2-1
Unpacking and Inspection	2-1
Reshipment Instructions	2-1
Option 01 Installation.....	2-1
Module Installation.....	2-2
1260-38 ID Byte	2-2

Chapter 3

MODULE OPERATION.....	3-1
Module Configuration	3-1
Two-Wire Operation.....	3-1
Four-Wire Operation	3-1
One-Wire Operation.....	3-1
100Ω Resistor Channels	3-3
Front Panel Connectors	3-3
Mating Connectors.....	3-3
1260-38 Module Specific Syntax	3-4
Syntax.....	3-4
CLOSE Command.....	3-5
OPEN Command.....	3-5
PDATAOUT Command	3-5
PSETUP Command	3-6

Chapter 4
DRAWINGS..... 4-1

Chapter 5
PARTS LIST 5-1

Chapter 6
OPTIONAL HARNESS ASSEMBLIES 6-1

Chapter 7
PRODUCT SUPPORT 7-1
 Product Support 7-1
 Reshipment Instructions..... 7-1
 Support Offices 7-2

List of Figures

Figure 1-1, 1260-38 Multiplexer / Scanner	1-2
Figure 3-1, 1260-38 Module Configuration Block Diagram.....	3-7
Figure 3-2, 1260-38 Multiplexer Configuration Block Diagram	3-8
Figure 3-2, 1260-38 Pin Connections, Front View.....	3-9
Table 3-1, 1260-38 Channel Number/Connector Pin/Cable Mapping.....	3-10

This page was left intentionally blank.

Chapter 1

MODULE SPECIFICATION

Introduction

The 1260-38 1 x 128 Two-Wire Scanner/Multiplexer Module consists of eight pairs of 1 x 8 multiplexers. These eight pairs of multiplexers, in conjunction with interconnecting relays, allow the 1260-38 module to be configured as:

- One 1 x 64 Four-wire multiplexer
- One 1 x 128 Two-wire multiplexer
- One 1 x 256 One-wire multiplexer

In addition, each pair of 1 x 8 multiplexers can be independently configured as:

- Two 1 x 8 Two-wire multiplexers
- One 1 x 16 Two-wire multiplexer
- One 1 x 32 One-wire multiplexer
- One 1 x 8 Four-wire multiplexer

Figure 3-1, 1260-38 Module Configuration Block Diagram, and Figure 3-2, 1260-38 Multiplexer Configuration Block Diagram, shows a diagrammatic representation of the switch module and multiplexer pair, respectively.

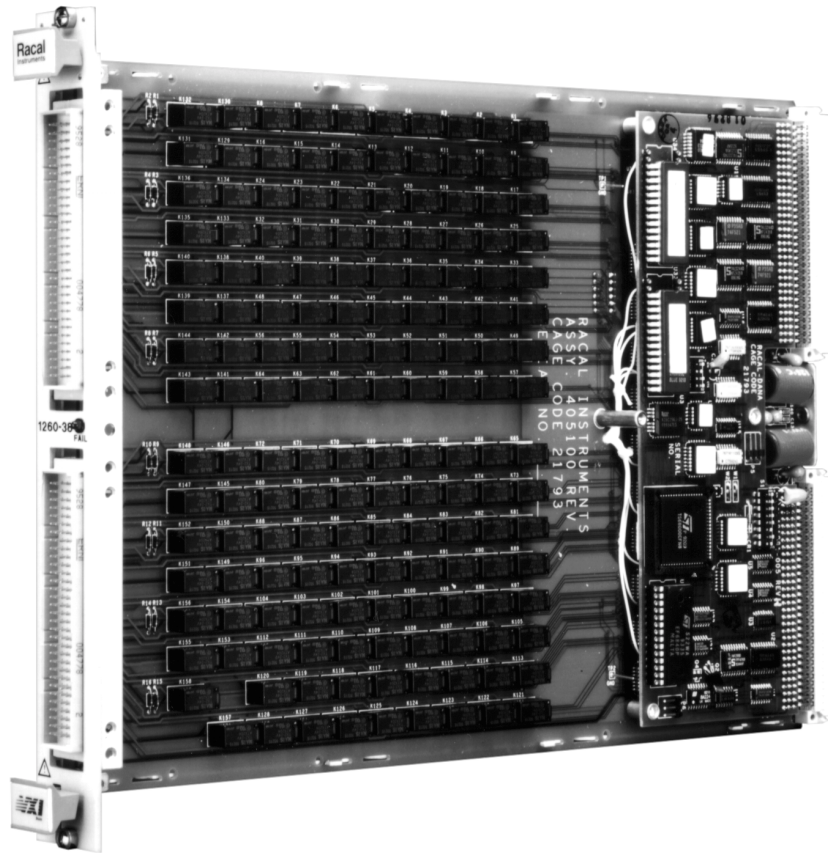


Figure 1-1, 1260-38 Multiplexer / Scanner

1260-38 Module Specification

Maximum Switch Power	125VA, 60W
Maximum Switch Voltage	250VAC, 220VDC
Maximum Switch Current	2A AC, 2A DC
Bandwidth (50Ω)	
1 x 8 Configuration	>30MHz
1 x 16 Configuration	>30MHz
1 x 128 Configuration	>2MHz
Insertion Loss (50Ω)	
1 x 8 Configuration	<0.10dB to 100kHz <0.25dB to 1MHz <1.70dB to 10MHz

Insertion Loss (50Ω)

1 x 128 Configuration	<0.20dB to 100kHz <1.00dB to 1MHz
-----------------------	--------------------------------------

Crosstalk (50Ω)

1 x 8 Configuration	<-55dB to 100kHz <-50dB to 1 MHz <-22dB at 10MHz
---------------------	--

Isolation (50Ω)

1 x 8 Configuration	>40dB to 100kHz >35dB to 1MHz >20dB at 10MHz
---------------------	--

Path Resistance

1 x 8 Configuration	<0.25Ω
1 x 128 Configuration	<0.75Ω

Thermal EMF

1 x 8 Configuration	<15μV
1 x 128 Configuration	<20μV

Impedance

High-Low	> 2000MΩ
High-Chassis	> 2000MΩ
Low to Chassis	> 2000MΩ

Capacitance

Channel to Chassis (1 x 8)	<5pF
Channel to Chassis (1 x 128)	<5pF
High to Low (1 x 8)	<120pF
High to Low (1 x 128)	<600pF

Temperature

Operating	0°C to +55°C
Non-Operating	40°C to +71°C

Relative Humidity

95+1-5% RH Non-Condensing	<30°C
75+1-5 %RH	> 30°C
45+1-5 %RH	> 40°C

Altitude

Operating	10,000 ft
Non-Operating	15,000ft
Vibration	0.013" double amplitude, 5-55Hz
Shock, functional	30g, 11 msec, ½ sine wave
Bench Handling	4inch drop
Cooling Requirement	
Without Option 01 installed	
Airflow	1.0 liters/sec
Backpressure	0.05mm H ₂ O
With Option 01 installed	
Airflow	2.0 liters/sec
Backpressure	0.2mm H ₂ O
Power Requirement	
Without Option 01 installed	
+5V Static Current, I _{pm}	0.4A
+5V Dynamic Current, I _{dm}	0.075A
With Option 01 installed	
+5V Static Current, I _{pm}	2.5A
+5V Dynamic Current, I _{dm}	0.225A
+24V Static Current, I _{pm}	6mA per energized relay
+24V Dynamic Current, I _{dm}	0A
Weight	
Without Option 01 installed	3.21b (1.45kg)
With Option 01 installed	3.51b (1.60kg)
Minimum Option 01 Firmware Revision	28.1

Ordering Information

Listed below are part numbers for both the 1260-38 Switch Module and available mating connector.

Model Numbers	Description	Part #
1260-38 Switch Module	1260-38,2w, 1 x 128 sc mux, 2 amp	407410
160-Pin Mating Connector	160-Pin Conn. Kit w/backshell and pins	407407
Cable Assy, 6ft, sleeved	160-Pin Cable Assy, 6ft, 24GA	407408
Cable Assy, 12ft, sleeved	160-Pin Cable Assy, 12ft, 24GA	407409

Safety

Refer to the "FOR YOUR SAFETY" page preceding the Table of Contents. Follow all NOTES, CAUTIONS and WARNINGS to ensure personal safety and prevent damage to the instrument.

Product Support

Racal Instruments has a complete Service and Parts Department. If you need technical assistance or should it be necessary to return your product for servicing, call 1-800-722-3262. If parts are required to repair the product at your facility, call 1-800-722-3262 and ask for the Parts Department.

When sending your instrument in for repair, complete the form in the back of this manual

This page was left intentionally blank.

Chapter 2

INSTALLATION INSTRUCTIONS

Unpacking and Inspection

1. **Before** unpacking the switching module, check the exterior of the shipping carton for any signs of damage. All irregularities should be noted on the shipping bill.
2. Remove the instrument from its carton, preserving the factory packaging as much as possible.
3. Inspect the switching module for any defect or damage. Immediately notify the carrier if any damage is apparent.
4. Have a qualified person check the instrument for safety before use.

Reshipment Instructions

1. Use the original packing when returning the switching module to Racal Instruments for calibration or servicing. The original shipping carton and the instrument's plastic foam will provide the necessary support for safe reshipment.
2. If the original packing material is unavailable, wrap the switching module in an ESD Shielding bag and use plastic spray foam to surround and protect the instrument.
3. Reship in either the original or a new shipping carton.

Option 01 Installation

Installation of the Option 01 to the 1260-38 is described in the Installation Section of the 1260 Series VXIbus Switching Cards Manual.

Module Installation

Installation of the 1260-38 Switching Module into a VXI mainframe, including the setting of switches SW1-1 through SW1-4, 5W2 and 5W3, is described in the Installation section of the 1260 Series VXI Switching Cards Manual. Configuration of switches SW 1-5 and SW 1-6 is described below.

1260-38 ID Byte

Refer to Section 2 of the Series 1260 VXI Switching Card Manual for an explanation of Module ID Byte.

The 1260-38 may be configured for two-wire or four wire switching. The two-wire configuration closes one relay for the selected channel. Four-wire configuration closes two relays for the selected channel. Each configuration responds to different sets of values for <channel number>. The set of values the 1260-38 responds to is controlled by switch SW1- 5. The switch settings that correspond to the two configurations are as follows:

Configuration*	S1 Switch 5	S1 Switch 6
Four-wire	Off	Off
Two-wire	On	Off

The 1260-38 is set at the factory for two-wire configuration.

NOTE

***The software will report the Model Number as “1260-38A” for the two-wire configuration, or “1260-38B” for the four-wire configuration.**

Revised 5/18/2000

Chapter 3

MODULE OPERATION

Module Configuration

The 1260-38 is a 1 x 128 Two-Wire Scanner/Multiplexer Module consisting of eight pairs of 1 x 8 multiplexers. These eight pairs of multiplexers, in conjunction with interconnecting relays, allow the 1260-38 module to be configured as:

- One 1 x 64 Four-wire multiplexer
- One 1 x 128 Two-wire multiplexer
- One 1 x 256 One-wire multiplexer

Each pair of 1 x 8 multiplexers can be independently configured as:

- Two 1 x 8 Two-wire multiplexers
- One 1 x 16 Two-wire multiplexer
- One 1 x 32 One-wire multiplexer
- One 1 x 8 Four-wire multiplexer

Reference should be made to Figure 3-1, 1260-38 Module Configuration Block Diagram, and Figure 3-2, 1260-38 multiplexer Configuration Block Diagram.

The multiplexer pairs consist of two 1 x 8 multiplexers, giving a total of sixteen 1 x 8 multiplexers (00 through 15). Each 1 x 8 multiplexer consists of one two-wire common and eight two-wire channels. The channels are numbered 0000 to 0007 for multiplexer 00, through 0150 to 0157 for multiplexer 15.

The even-numbered multiplexers (00,02,... 14) have a second two-wire common which has 100 Ω series resistors in both the high and low paths. The even-numbered multiplexers also include a one-wire relay (channels 9000 through 9007) which select the high or low path of both two-wire common and 100 Ω resistor two-wire common.

Interconnecting relays (channels 1002, 2002,8002) join the multiplexers to form multiplexer pairs. The multiplexer pairs are formed by multiplexers 00-01, 02-03, 04-05, 06-07, 08-09, 10-11, 12-13, and 14-15.

The multiplexer pairs are joined to each other through two more

pairs of interconnecting relays (1000, 1001, 2000, 2001, ...7000, 7001). This allows pairs of the module to be configured for four-wire operation.

Two-Wire Operation

Two-wire configuration gives the most flexibility as it allows all channels (0000 through 0157, 1000 through 8000, and 9000 through 9007) to be selected.

Interconnecting relays (1000, 1001, 2000, 2001,7000, 7001) permit linking of all the 1 x 8 multiplexers to give configurations from sixteen 1 x 8 multiplexers up to one 1 x 128 multiplexer.

Example: Make a two-wire 1 x 32 using multiplexes 00,01,02,03

Close channels 1000, 1002 and 2002.

Four-Wire Operation

Four-wire configuration permits four-wire closures only. Only even-numbered multiplexers (00, 02,14) may be selected. Closing a channel in an even-numbered multiplexer also closes the equivalent channel in the adjacent odd-numbered multiplexer. For example, closing Channel 0002 (channel 2 of multiplexer 00) will also close channel 0012 (channel 2 of multiplexer 01).

The same applies to the interconnect relays (channels 1000, 1001, 2000, 2001,7000, 7001). Closing channel 1000 will also close channel 1001). In four-wire operation, the interconnect relays permit configurations of eight 1 x 8 multiplexers up to one 1 x 64 multiplexer.

Example: Make a four-wire 1 x 24 using multiplexers 00, 01, 02, 03, 04, 05

Close channels 1000 and 2000.

One-Wire Operation

One-wire switching must be performed with the 1260-38 configured for two-wire operation. Each even-numbered multiplexer includes a one-wire relay (channels 9000, 9001, 9007). This allows configurations from sixteen 1 x 16 multiplexers up to one 1 x 256 multiplexer.

Example: Make a one-wire 1 x 96 using multiplexers 00, 01, 02, 03, 04, 05

Close channels 1000, 1002, 2000, 2002 and 3002.

When the one-wire channel is open, the one-wire common is

connected to the two-wire high path. When the one-wire channel is closed, the one-wire common is connected to the two-wire low path. The same applies to the one-wire common with 1000 series resistor.

100Ω Resistor Channels

Even-numbered multiplexers have two-wire commons that include 100Ω series resistors in both the high and low paths. This may be useful for applications where transient suppression is of concern. The resistors are rated at 1/8W. The one-wire relay is also connected to the two-wire resistor common to provide a one-wire resistor path.

Front Panel Connectors

The 1260-38 front panel connectors are labeled J200 and J201. The connector type is 5 x 32 (160-pin) DIN 41 612 male. The pin numbering is shown in Figure 3-3.

The mapping of channel numbers to connector pins and the available mating connector cable is given in Table 3-1.

Mating Connectors

There are no mating connectors shipped with the 1260-38 module. Racal Instruments offers the following accessories for mating connectors (see ordering information for part numbers):

- 160-Pin Connector Kit with backshell and pins
 - 160-Pin Cable Assy, 6ft, 240A
 - 160-Pin Cable Assy, 12ft, 24GA

The 160-Pin Connector kit consists of a connector housing, customized backshell and 170 crimp pins. The backshell design has been optimized for system integration. The connector kit has been designed for 22 to 26 gauge cable. The crimp pin will lock or 'click' into the connector housing only when installed correctly. The assembler should ensure that the crimp pin is locked by tugging on the cable after insertion.

The hand crimp tool for loose crimp contacts is Erni Part Number 014 374. The disassembly tool is Erni Part Number 471 555.

The cable assemblies (optional lengths of 6ft. or 12ft.) use the 160-Pin Connector kit along with two 80-wire multi-colored 24 gauge cables. One end is un-terminated. Refer to Table 3.1 for the mapping of channels to connector and cable.

1260-38 Module Specific Syntax

The Module Specific Syntax for the 1260-38 is required in the use of the OPEN and CLOSE commands. It will also appear in data output by the Master in response to the PDATAOUT and PSETUP commands.

Syntax

The Module Specific Syntax for the 1260-38 Multiplexer/Scanner module is as follows:

<COMMAND> relay designator> [;<relay designator>]

where:

<relay designator> ::= <module address>.<channel range>
[,<channel range>...]

<channel range> ::= <channel descriptor>[-<channel descriptor>]

<channel descriptor> ::= <interconnect><mux select><channel>

<module address> ::= 1.. 12

<interconnect> ::= 0 to 9

Where: 0 = multiplexer channels.
 1 to 8 = multiplexer interconnect relays.
 9 = one-wire high/low select.

<mux select> ::= 00 to 15

For two-wire mode: selects one of 16 1 x 8 multiplexers.

For four-wire mode: selects two of 16 1 x 8 multiplexers. Only even number multiplexers are allowed. Selecting multiplexer 00 will also select same channel on next multiplexer in sequence, in this case multiplexer 01.

<channel> ::= 0 to 7

0 to 7 for multiplexers
0 to 2 for interconnect relays
0 to 7 for one-wire relays

NOTE

The <module address> used here is not the VXIbus

defined logical address of the 1260 Series Master. It is unique to the 1260 Series and describes the switching module in relation to the Master. This address corresponds to the binary value of the switch setting of SW1 on the switching module PCB. Refer to the Installation Section of the 1260 Series VXI Switching Cards Manual for more information.

CLOSE Command

The CLOSE command is used to close a channel.

Example:

```
CL[OSE] 1.0012
```

This CLOSE command will close channel 2 of multiplexer 0 1 on the module at switch card module address 1.

OPEN Command

The OPEN command is used to open a channel.

Example:

```
OP[EN] 3.0107
```

This OPEN command will open channel 7 of multiplexer 10 on the module at switch card module address 3.

Note that channels remain closed until opened by an OPEN command, RESET command, VXI hard or soft reset, or power-off.

PDATAOUT Command

The PDATAOUT command causes the specified module to transmit the CLOSED state of the relays within the switch module to the 1260 Controller. The syntax used is:

```
PD[ATAOUT] <module address> [;<module address>] [;<module address>]
```

The responses to the PDATAOUT command is as follows:

```
1260-38:      Two-wire
```

```
<module address>. 1260-38A 1x128 2-WIRE SCANNER/MULTIPLEXER  
<module address> . <channel range>[,<channel range>] [,<channel range>]  
<module address>.END
```

```
1260-38 Four-Wire
```

```
<module address>. 1260-38B 1x64 4-WIRE SCANNER/MULTIPLEXER  
<module address> . <channel range>[,<channel range>] [,<channel range>]
```

<module address>.END

The response to the PDATAOUT command consists of a header on the first line as with the PSETUP response. The next line details the channels currently closed on the module and is blank when no channels are closed. Again, the last line is denoted by the ¹¹END¹ string of characters.

PSETUP Command

The PSETUP command causes the specified module setup to be transmitted to the VXI Controller. The syntax used is:

```
PS[ETUP] <module address>[ ;<module address> ] [<module address>]
```

Where:

<module address> is the switch card address.

The responses to the PSETUP command for the 1260-38 Multiplexer/Scanner is as follows:

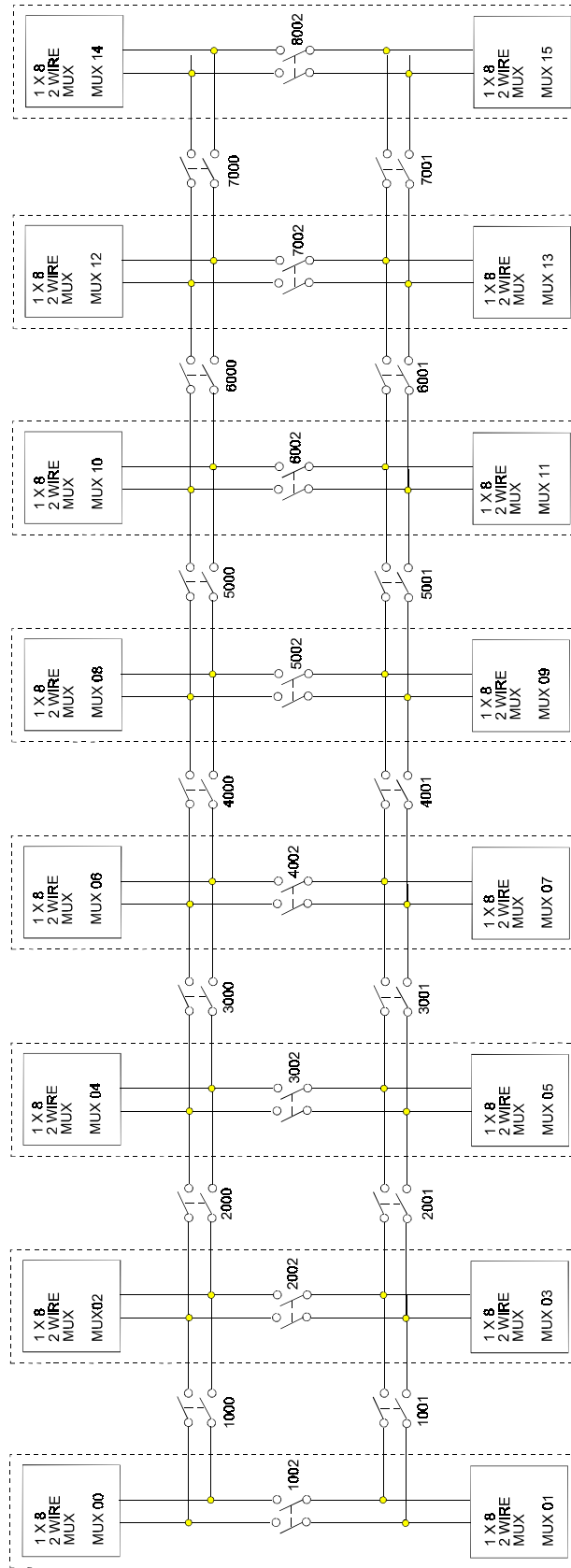
1260-38: Two-wire

```
<module address>. 1260-38A 1x128 2-WIRE SCANNER/MULTIPLEXER  
<module address> . BBM  
<module address>.END
```

1260-38 Four-Wire

```
<module address>. 1260-38B 1x64 4-WIRE SCANNER/MULTIPLEXER  
<module address>. BBM  
<module address>.END
```

The response to the PSETUP command consists of a header on the first line. The header describes the model number following an A or B designating two or four-wire, respectively. The next line designates the setup mode for scanning which, by default, is Break-Before-Make (BBM). The last line containing the "END" characters denotes no more information to report.



EIGHT PAIRS OF 1 X 8 MUXES.
EACH PAIR CONFIGURABLE AS:
ONE (1 X 8) 4 WIRE
TWO (1 X 8) 2 WIRE
ONE (1 X 16) 2 WIRE
ONE (1 X 32) 1 WIRE

MODULE IS CONFIGURABLE AS:
ONE (1 X 64) 4 WIRE
ONE (1 X 128) 2 WIRE
ONE (1 X 256) 1 WIRE

Figure 3-1, 1260-38 Module Configuration Block Diagram

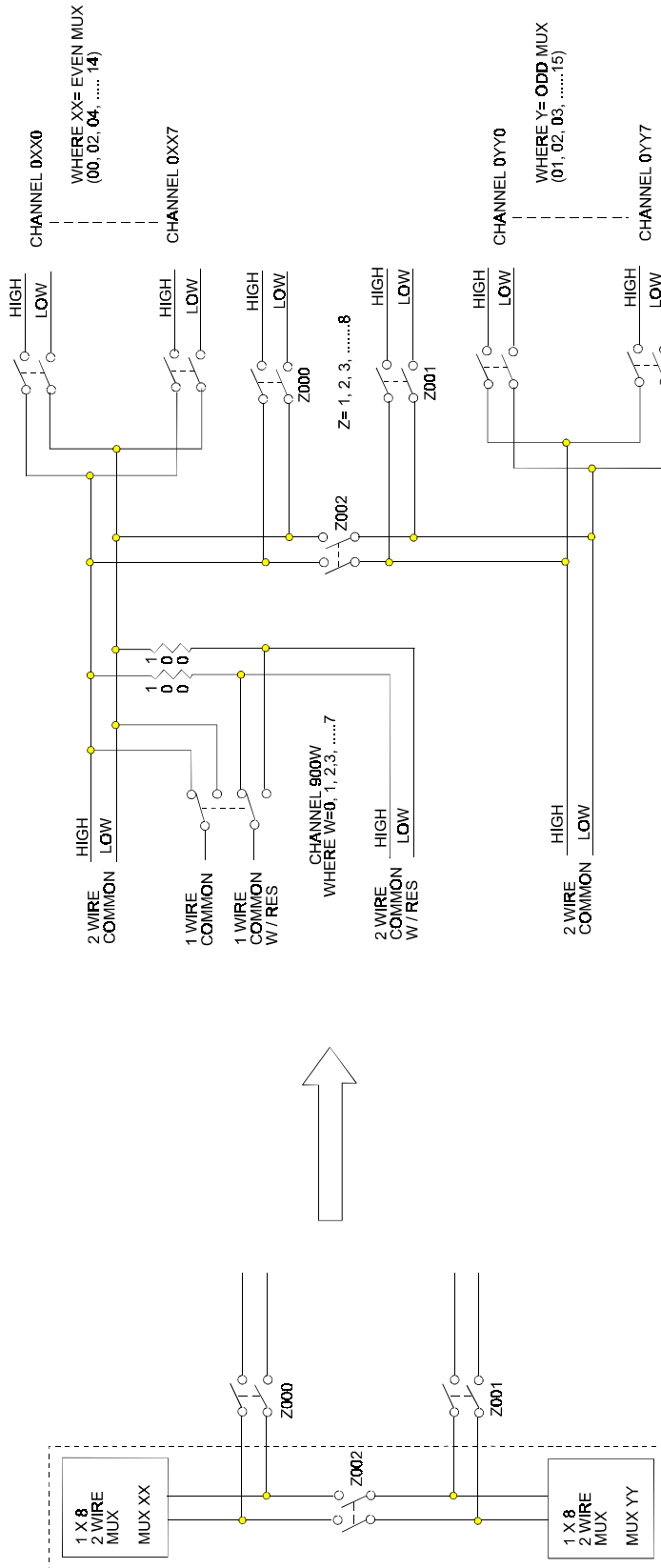


Figure 3-2, 1260-38 Multiplexer Configuration Block Diagram

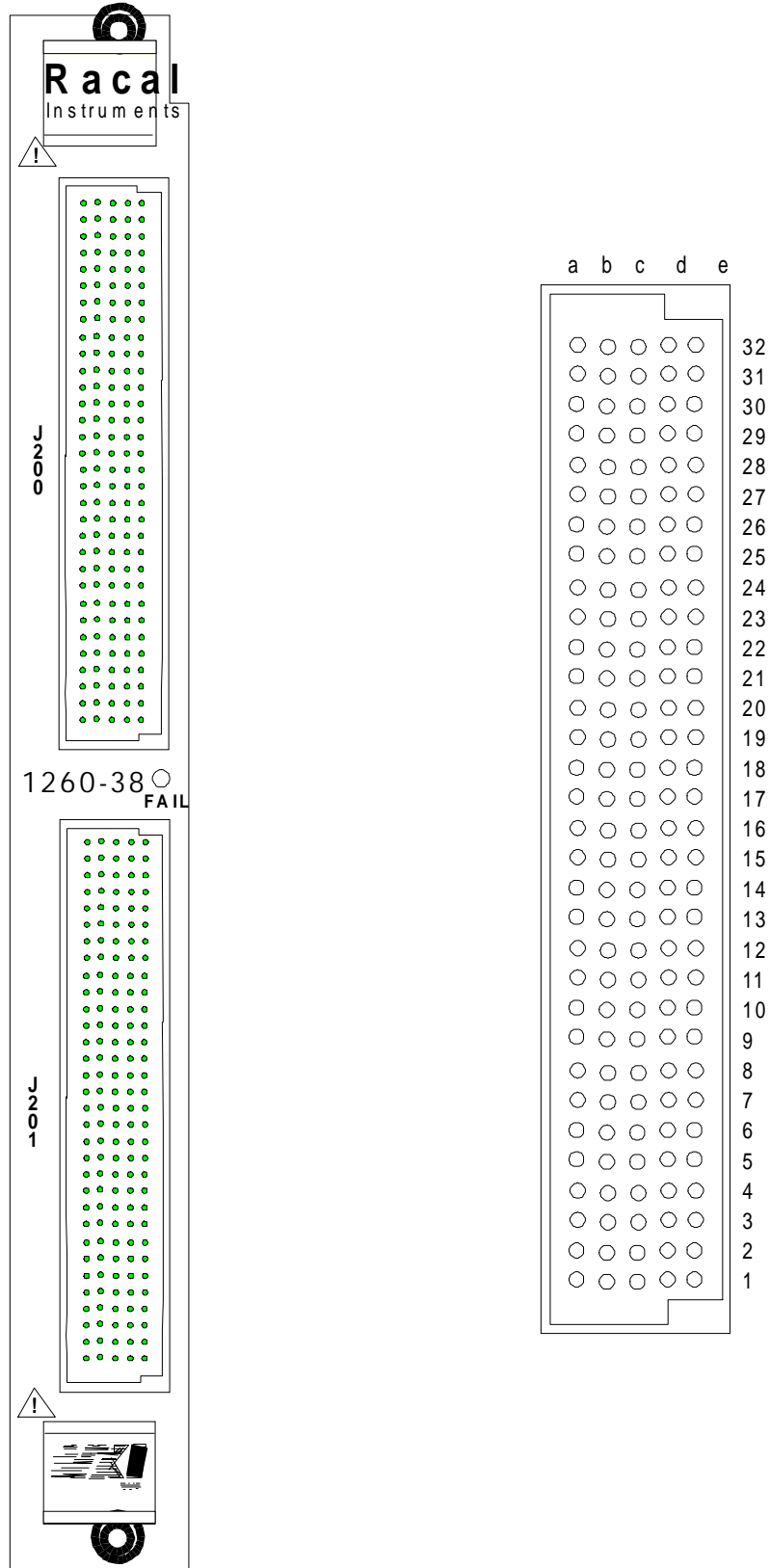


Figure 3-2, 1260-38 Pin Connections, Front View

Table 3-1, 1260-38 Channel Number/Connector Pin/Cable Mapping

Multiplexer 00

Channel #	Connector Pin #	Connector / Cable # / Color
0000 Hi	J200P31A	P200, CABLE 1, white/black/orange/violet
0000 Lo	J200P32A	P200, CABLE 1, white/black/yellow/grey
0001 Hi	J200P31B	P200, CABLE 1, white/black/orange/grey
0001 Lo	J200P32B	P200, CABLE 1, white/black/green/blue
0002 Hi	J200P31D	P200, CABLE 1, white/black/yellow/blue
0002 Lo	J200P32D	P200, CABLE 1, white/black/green/grey
0003 Hi	J200P31E	P200, CABLE 1, white/black/yellow/violet
0003 Lo	J200P32E	P200, CABLE 1, white/black/blue/violet
0004 Hi	J200P29A	P200, CABLE 1, white/black/brown/violet
0004 Lo	J200P30A	P200, CABLE 1, white/black/red/violet
0005 Hi	J200P29B	P200, CABLE 1, white/black/brown/grey
0005 Lo	J200P30B	P200, CABLE 1, white/black/red/grey
0006 Hi	J200P29D	P200, CABLE 1, white/black/red/green
0006 Lo	J200P30D	P200, CABLE 1, white/black/orange/green
0007 Hi	J200P29E	P200, CABLE 1, white/black/red/blue
0007 Lo	J200P30E	P200, CABLE 1, white/black/orange/blue
COM00 Hi	J200P31C	P200, CABLE 1, white/black/yellow/green
COM00 Lo	J200P32C	P200, CABLE 1, white/black/green/violet
COM00R Hi	J200P27C	P200, CABLE 1, white/blue/violet
COM00R Lo	J200P28C	P200, CABLE 1, white/black/brown/yellow
COM001W	J200P30C	P200, CABLE 1, white/black/orange/yellow
COM001WR	J200P29C	P200, CABLE 1, white/black/red/yellow

Multiplexer 01

Channel #	Connector Pin #	Connector / Cable # Color
0010 Hi	3200P27A	P200, CABLE 1, white/green/violet
0010 Lo	J200P28A	P200, CABLE 1, white/black/brown/red
0011 Hi	3200P27B	P200, CABLE 1, white/green/grey
0011 Lo	J200P28B	P200, CABLE 1, white/black/brown/orange
0012 Hi	J200P27D	P200, CABLE 1, white/blue/grey
0012 Lo	J200P28D	P200, CABLE 1, white/black/brown/green
0013 Hi	J200P27E	P200, CABLE 1, white/violet/grey
0013 Lo	J200P28E	P200, CABLE 1, white/black/brown/blue
0014 Hi	J200P25A	P200, CABLE 1, white/orange/yellow
0014 Lo	3200P26A	P200, CABLE 1, white/yellow/green
0015 Hi	3200P25B	P200, CABLE 1, white/orange/green
0015 Lo	J200P26B	P200, CABLE 1, white/yellow/blue
0016 Hi	J200P25D	P200, CABLE 1, white/orange/violet
0016 Lo	3200P26D	P200, CABLE 1, white/yellow/grey
0017 Hi	J200P25E	P200, CABLE 1, white/orange/grey
0017 Lo	3200P26E	P200, CABLE 1, white/green/blue
COM01 Hi	J200P25C	P200, CABLE 1, white/orange/blue
COM01 Lo	J200P26C	P200, CABLE 1, white/yellow/violet

Table 3-1, 1260-38 Channel Number/Connector Pin/Cable Mapping Continued

Multiplexer 02

Channel #	Connector Pin #	Connector / Cable # / Color
0020 Hi	J200P23A	P200, CABLE 1, white/brown/green
0020 Lo	J200P24A	P200, CABLE 1, white/red/yellow
0021 Hi	J200P23B	P200, CABLE 1, white/brown/blue
0021 Lo	J200P24B	P200, CABLE 1, white/red/green
0022 Hi	J200P23D	P200, CABLE 1, white/brown/grey
0022 Lo	3200P24D	P200, CABLE 1, white/red/violet
0023 Hi	J200P23E	P200, CABLE 1, white/red/orange
0023 Lo	J200P24E	P200, CABLE 1, white/red/grey
0024 Hi	J200P21A	P200, CABLE 1, white/black/red
0024 Lo	J200P22A	P200, CABLE 1, white/black/violet
0025 Hi	J200P21B	P200, CABLE 1, white/black/orange
0025 Lo	J200P22B	P200, CABLE 1, white/black/grey
0026 Hi	J200P21D	P200, CABLE 1, white/black/green
0026 Lo	J200P22D	P200, CABLE 1, white/brown/orange
0027 Hi	J200P21E	P200, CABLE 1, white/black/blue
0027 Lo	J200P22E	P200, CABLE 1, white/brown/yellow
COM02 Hi	J200P23C	P200, CABLE 1, white/brown/violet
COM02 Lo	J200P24C	P200, CABLE 1, white/red/blue
COM02R Hi	J200P19C	P200, CABLE 1, white/red
COM02R Lo	J200P20C	P200, CABLE 1, white/violet
COM021W	J200P22C	P200, CABLE 1, white/brown/red
COM021WR	J200P21C	P200, CABLE 1, white/black/yellow

Multiplexer 03

Channel #	Connector Pin #	Connector / Cable # Color
0030 Hi	J200P19A	P200, CABLE 1, white/black
0030 Lo	J200P20A	P200, CABLE 1, white/green
0031 Hi	J200P19B	P200, CABLE 1, white/brown
0031 Lo	J200P20B	P200, CABLE 1, white/blue
-0032 Hi	J200P19D	P200, CABLE 1, white/orange
-0032 Lo	J200P20D	P200, CABLE 1, white/grey
0033 Hi	1200P19E	P200, CABLE 1, white/yellow
0033 Lo	J200P20E	P200, CABLE 1, white/black/brown
0034 Hi	J200P17A	P200, CABLE 1, black
0034 Lo	J200P18A	P200, CABLE 1, green
0035 Hi	J200P17B	P200, CABLE 1, brown
0035 Lo	J200P18B	P200, CABLE 1, blue
0036 Hi	J200P17D	P200, CABLE 1, orange
0036 Lo	J200P18D	P200, CABLE 1, grey
0037 Hi	J200P17E	P200, CABLE 1, yellow
0037 Lo	J200P18E	P200, CABLE 1, white
COM03 Hi	J200P17C	P200, CABLE 1, red
COM03 Lo	J200P18C	P200, CABLE 1, violet

Table 3-1, 1260-38 Channel Number/Connector Pin/Cable Mapping Continued

Multiplexer 04

Channel #	Connector Pin #	Connector / Cable # / Color
0040 Hi	J200P15A	P200, CABLE 2, white/black/orange/violet
0040 Lo	J200P16A	P200, CABLE 2, white/black/yellow/grey
0041 Hi	J200P15B	P200, CABLE 2, white/black/orange/grey
0041 Lo	J200P16B	P200, CABLE 2, white/black/green/blue
0042 Hi	J200P15D	P200, CABLE 2, white/black/yellow/blue
0042 Lo	J200P16D	P200, CABLE 2, white/black/green/grey
0043 Hi	J200P15E	P200, CABLE 2, white/black/yellow/violet
0043 Lo	J200P16E	P200, CABLE 2, white/black/blue/violet
0044 Hi	J200P13A	P200, CABLE 2, white/black/brown/violet
0044 Lo	J200P14A	P200, CABLE 2, white/black/red/violet
0045 Hi	J200P13B	P200, CABLE 2, white/black/brown/grey
0045 Lo	J200P14B	P200, CABLE 2, white/black/red/grey
0046 Hi	J200P13D	P200, CABLE 2, white/black/red/green
0046 Lo	J200P14D	P200, CABLE 2, white/black/orange/green
0047 Hi	J200P13E	P200, CABLE 2, white/black/red/blue
0047 Lo	J200P14E	P200, CABLE 2, white/black/orange/blue
COM04 Hi	J200P15C	P200, CABLE 2, white/black/yellow/green
COM04 Lo	J200P16C	P200, CABLE 2, white/black/green/violet
COM04R Hi	J200P11C	P200, CABLE 2, white/blue/violet
COM04R Lo	J200P12C	P200, CABLE 2, white/black/brown/yellow
COM041W	J200P14C	P200, CABLE 2, white/black/orange/yellow
COM041WR	J200P13C	P200, CABLE 2, white/black/red/yellow

Multiplexer 05

Channel #	Connector Pin #	Connector / Cable # / Color
0050 Hi	J200P11A	P200, CABLE 2, white/green/violet
0050 Lo	J200P12A	P200, CABLE 2, white/black/brown/red
0051 Hi	J200P11B	P200, CABLE 2, white/green/grey
0051 Lo	J200P12B	P200, CABLE 2, white/black/brown/orange
0052 Hi	J200P11D	P200, CABLE 2, white/blue/grey
0052 Lo	J200P12D	P200, CABLE 2, white/black/brown/green
0053 Hi	J200P11E	P200, CABLE 2, white/violet/grey
0053 Lo	J200P12E	P200, CABLE 2, white/black/brown/blue
0054 Hi	J200P9A	P200, CABLE 2, white/orange/yellow
0054 Lo	J200P10A	P200, CABLE 2, white/yellow/green
0055 Hi	J200P9B	P200, CABLE 2, white/orange/green
0055 Lo	J200P10B	P200, CABLE 2, white/yellow/blue
0056 Hi	J200P9D	P200, CABLE 2, white/orange/violet
0056 Lo	J200P10D	P200, CABLE 2, white/yellow/grey
0057 Hi	J200P9E	P200, CABLE 2, white/orange/grey
0057 Lo	J200P10E	P200, CABLE 2, white/green/blue
COM05 Hi	J200P9C	P200, CABLE 2, white/orange/blue
COM05 Lo	J200P10C	P200, CABLE 2, white/yellow/violet

Table 3-1, 1260-38 Channel Number/Connector Pin/Cable Mapping Continued

Multiplexer 06

Channel #	Connector Pin #	Connector / Cable # / Color
0060 Hi	J200P7A	P200, CABLE 2, white/brown/green
0060 Lo	J200P8A	P200, CABLE 2, white/red/yellow
0061 Hi	J200P7B	P200, CABLE 2, white/brown/blue
0061 Lo	J200P8B	P200, CABLE 2, white/red/green
0062 Hi	J200P7D	P200, CABLE 2, white/brown/grey
0062 Lo	J200P8D	P200, CABLE 2, white/red/violet
0063 Hi	J200P7E	P200, CABLE 2, white/red/orange
0063 Lo	J200P8E	P200, CABLE 2, white/red/grey
0064 Hi	J200P5A	P200, CABLE 2, white/black/red
0064 Lo	J200P6A	P200, CABLE 2, white/black/violet
0065 Hi	J200P5B	P200, CABLE 2, white/black/orange
0065 Lo	J200P6B	P200, CABLE 2, white/black/grey
0066 Hi	J200P5D	P200, CABLE 2, white/black/green
0066 Lo	J200P6D	P200, CABLE 2, white/brown/orange
0067 Hi	J200P5E	P200, CABLE 2, white/black/blue
0067 Lo	J200P6E	P200, CABLE 2, white/brown/yellow
COM06 Hi	J200P7C	P200, CABLE 2, white/brown/violet
COM06 Lo	J200P8C	P200, CABLE 2, white/red/blue
COM06R Hi	J200P3C	P200, CABLE 2, white/red
COM06R Lo	J200P4C	P200, CABLE 2, white/violet
COM061W	J200P6C	P200, CABLE 2, white/brown/red
COM061WR	J200P5C	P200, CABLE 2, white/black/yellow

Multiplexer 07

Channel #	Connector Pin #	Connector / Cable # / Color
0070 Hi	J200P3A	P200, CABLE 2, white/black
0070 Lo	J200P4A	P200, CABLE 2, white/green
0071 Hi	J200P3B	P200, CABLE 2, white/brown
0071 Lo	J200P4B	P200, CABLE 2, white/blue
0072 Hi	J200P3D	P200, CABLE 2, white/orange
0072 Lo	J200P4D	P200, CABLE 2, white/grey
0073 Hi	J200P3E	P200, CABLE 2, white/yellow
0073 Lo	J200P4E	P200, CABLE 2, white/black/brown
0074 Hi	J200P1A	P200, CABLE 2, black
0074 Lo	J200P2A	P200, CABLE 2, green
0075 Hi	J200P1B	P200, CABLE 2, brown
0075 Lo	J200P2B	P200, CABLE 2, blue
0076 Hi	J200P1D	P200, CABLE 2, orange
0076 Lo	J200P2D	P200, CABLE 2, grey
0077 Hi	J200P1E	P200, CABLE 2, yellow
0077 Lo	J200P2E	P200, CABLE 2, white
COM07 Hi	J200P1C	P200, CABLE 2, red
COM07 Lo	J200P2C	P200, CABLE 2, violet

Table 3-1, 1260-38 Channel Number/Connector Pin/Cable Mapping Continued

Multiplexer 08

Channel #	Connector Pin #	Connector / Cable # / Color
0080 Hi	J201P31A	P201, CABLE 1, white/black/orange/violet
0080 Lo	J201P32A	P201, CABLE 1, white/black/yellow/grey
0081 Hi	J201P31B	P201, CABLE 1, white/black/orange/grey
0081 Lo	J201P32B	P201, CABLE 1, white/black/green/blue
0082 Hi	J201P31D	P201, CABLE 1, white/black/yellow/blue
0082 Lo	J201P32D	P201, CABLE 1, white/black/green/grey
0083 Hi	J201P31E	P201, CABLE 1, white/black/yellow/violet
0083 Lo	J201P32E	P201, CABLE 1, white/black/blue/violet
0084 Hi	J201P29A	P201, CABLE 1, white/black/brown/violet
0084 Lo	J201P30A	P201, CABLE 1, white/black/red/violet
0085 Hi	J201P29B	P201, CABLE 1, white/black/brown/grey
0085 Lo	J201P30B	P201, CABLE 1, white/black/red/grey
0086 Hi	J201P29D	P201, CABLE 1, white/black/red/green
0086 Lo	J201P30D	P201, CABLE 1, white/black/orange/green
0087 Hi	J201P29E	P201, CABLE 1, white/black/red/blue
0087 Lo	J201P30E	P201, CABLE 1, white/black/orange/blue
COM08 Hi	J201P31C	P201, CABLE 1, white/black/yellow/green
COM08 Lo	J201P32C	P201, CABLE 1, white/black/green/violet
COM08R Hi	J201P27C	P201, CABLE 1, white/blue/violet
COM08R Lo	J201P28C	P201, CABLE 1, white/black/brown/yellow
COM081W	J201P30C	P201, CABLE 1, white/black/orange/yellow
COM081WR	J201P29C	P201, CABLE 1, white/black/red/yellow

Multiplexer 09

Channel #	Connector Pin #	Connector / Cable # Color
0090 Hi	J201P27A	P201, CABLE 1, white/green/violet
0090 Lo	J201P28A	P201, CABLE 1, white/black/brown/red
0091 Hi	J201P27B	P201, CABLE 1, white/green/grey
0091 Lo	J201P28B	P201, CABLE 1, white/black/brown/orange
0092 Hi	J201P27D	P201, CABLE 1, white/blue/grey
0092 Lo	J201P28D	P201, CABLE 1, white/black/brown/green
0093 Hi	J201P27E	P201, CABLE 1, white/violet/grey
0093 Lo	J201P28E	P201, CABLE 1, white/black/brown/blue
0094 Hi	J201P25A	P201, CABLE 1, white/orange/yellow
0094 Lo	J201P26A	P201, CABLE 1, white/yellow/green
0095 Hi	J201P25B	P201, CABLE 1, white/orange/green
0095 Lo	J201P26B	P201, CABLE 1, white/yellow/blue
0096 Hi	J201P25D	P201, CABLE 1, white/orange/violet
0096 Lo	J201P26D	P201, CABLE 1, white/yellow/grey
0097 Hi	J201P25E	P201, CABLE 1, white/orange/grey
0097 Lo	J201P26E	P201, CABLE 1, white/green/blue
COM09 Hi	J201P25C	P201, CABLE 1, white/orange/blue
COM09 Lo	J201P26C	P201, CABLE 1, white/yellow/violet

Table 3-1, 1260-38 Channel Number/Connector Pin/Cable Mapping Continued

Multiplexer 10

Channel #	Connector Pin #	Connector / Cable # / Color
0100 Hi	J201P23A	P201, CABLE 1, white/brown/green
0100 Lo	J201P24A	P201, CABLE 1, white/red/yellow
0101 Hi	J201P23B	P201, CABLE 1, white/brown/blue
0101 Lo	J201P24B	P201, CABLE 1, white/red/green
0102 Hi	J201P23D	P201, CABLE 1, white/brown/grey
0102 Lo	3201P24D	P201, CABLE 1, white/red/violet
0103 Hi	J201P23E	P201, CABLE 1, white/red/orange
0103 Lo	J201P24E	P201, CABLE 1, white/red/grey
0104 Hi	J201P21A	P201, CABLE 1, white/black/red
0104 Lo	J201P22A	P201, CABLE 1, white/black/violet
0105 Hi	J201P21B	P201, CABLE 1, white/black/orange
0105 Lo	J201P22B	P201, CABLE 1, white/black/grey
0106 Hi	J201P21D	P201, CABLE 1, white/black/green
0106 Lo	J201P22D	P201, CABLE 1, white/brown/orange
0107 Hi	J201P21E	P201, CABLE 1, white/black/blue
0107 Lo	J201P22E	P201, CABLE 1, white/brown/yellow
COM10 Hi	J201P23C	P201, CABLE 1, white/brown/violet
COM10 Lo	J201P24C	P201, CABLE 1, white/red/blue
COM10R Hi	J201P19C	P201, CABLE 1, white/red
COM110R Lo	J201P20C	P201, CABLE 1, white/violet
COM101W	J201P22C	P201, CABLE 1, white/brown/red
COM101WR	J201P21C	P201, CABLE 1, white/black/yellow

Multiplexer 11

Channel #	Connector Pin #	Connector / Cable # / Color
0110 Hi	J201P19A	P201, CABLE 1, white/black
0110 Lo	J201P20A	P201, CABLE 1, white/green
0111 Hi	J201P19B	P201, CABLE 1, white/brown
0111 Lo	J201P20B	P201, CABLE 1, white/blue
0112 Hi	J201P19D	P201, CABLE 1, white/orange
0112 Lo	J201P20D	P201, CABLE 1, white/grey
0113 Hi	J201P19E	P201, CABLE 1, white/yellow
0113 Lo	J201P20E	P201, CABLE 1, white/black/brown
0114 Hi	J201P17A	P201, CABLE 1, black
0114 Lo	J201P18A	P201, CABLE 1, green
0115 Hi	3201P17B	P201, CABLE 1, brown
0115 Lo	J201P18B	P201, CABLE 1, blue
0116 Hi	J201P17D	P201, CABLE 1, orange
0116 Lo	J201P18D	P201, CABLE 1, grey
0117 Hi	J201P17E	P201, CABLE 1, yellow
0117 Lo	J201P18E	P201, CABLE 1, white
COM11Hi	J201P17C	P201, CABLE 1, red
COM11 Lo	J201P18C	P201, CABLE 1, violet

Table 3-1, 1260-38 Channel Number/Connector Pin/Cable Mapping Continued

Multiplexer 12

Channel #	Connector Pin #	Connector / Cable # / Color
0120 Hi	J201P15A	P201, CABLE 2, white/black/orange/violet
0120 Lo	J201P16A	P201, CABLE 2, white/black/yellow/grey
0121 Hi	J201P15B	P201, CABLE 2, white/black/orange/grey
0121 Lo	J201P16B	P201, CABLE 2, white/black/green/blue
0122 Hi	J201P15D	P201, CABLE 2, white/black/yellow/blue
0122 Lo	J201P16D	P201, CABLE 2, white/black/green/grey
0123 Hi	J201P15E	P201, CABLE 2, white/black/yellow/violet
0123 Lo	J201P16E	P201, CABLE 2, white/black/blue/violet
0124 Hi	J201P13A	P201, CABLE 2, white/black/brown/violet
0124 Lo	J201P14A	P201, CABLE 2, white/black/red/violet
0125 Hi	J201P13B	P201, CABLE 2, white/black/brown/grey
0125 Lo	J201P14B	P201, CABLE 2, white/black/red/grey
0126 Hi	J201P13D	P201, CABLE 2, white/black/red/green
0126 Lo	J201P14D	P201, CABLE 2, white/black/orange/green
0127 Hi	J201P13E	P201, CABLE 2, white/black/red/blue
0127 Lo	J201P14E	P201, CABLE 2, white/black/orange/blue
COM12 Hi	J201P15C	P201, CABLE 2, white/black/yellow/green
COM12 Lo	J201P16C	P201, CABLE 2, white/black/green/violet
COM12R Hi	J201P11C	P201, CABLE 2, white/blue/violet
COM12R Lo	J201P12C	P201, CABLE 2, white/black/brown/yellow
COM121W	J201P14C	P201, CABLE 2, white/black/orange/yellow
COM121WR	J201P13C	P201, CABLE 2, white/black/red/yellow

Multiplexer 13

Channel #	Connector Pin #	Connector / Cable # / Color
0130 Hi	J201P11A	P201, CABLE 2, white/green/violet
0130 Lo	J201P12A	P201, CABLE 2, white/black/brown/red
0131 Hi	J201P11B	P201, CABLE 2, white/green/grey
0131 Lo	J201 P12B	P201, CABLE 2, white/black/brown/orange
0132 Hi	J201P11D	P201, CABLE 2, white/blue/grey
0132 Lo	J201P12D	P201, CABLE 2, white/black/brown/green
0133 Hi	J201P11E	P201, CABLE 2, white/violet/grey
0133 Lo	J201P12E	P201, CABLE 2, white/black/brown/blue
0134 Hi	J201P9A	P201, CABLE 2, white/orange/yellow
0134 Lo	J201P10A	P201, CABLE 2, white/yellow/green
0135 Hi	J201P9B	P201, CABLE 2, white/orange/green
0135 Lo	J201P10B	P201, CABLE 2, white/yellow/blue
0136 Hi	J201P9D	P201, CABLE 2, white/orange/violet
0136 Lo	J201P10D	P201, CABLE 2, white/yellow/grey
0137 Hi	J201P9E	P201, CABLE 2, white/orange/grey
0137 Lo	J201P10E	P201, CABLE 2, white/green/blue
COM13 Hi	J201P9C	P201, CABLE 2, white/orange/blue
COM13 Lo	J201P10C	P201, CABLE 2, white/yellow/violet

Table 3-1, 1260-38 Channel Number/Connector Pin/Cable Mapping Continued

Multiplexer 14

Channel #	Connector Pin #	Connector / Cable # / Color
0140 Hi	J201P7A	P201, CABLE 2, white/brown/green
0140 Lo	J201P8A	P201, CABLE 2, white/red/yellow
0141 Hi	J201P7B	P201, CABLE 2, white/brown/blue
0141 Lo	J201P8B	P201, CABLE 2, white/red/green
0142 Hi	J201P7D	P201, CABLE 2, white/brown/grey
0142 Lo	J201P8D	P201, CABLE 2, white/red/violet
0143 Hi	J201P7E	P201, CABLE 2, white/red/orange
0143 Lo	J201P8E	P201, CABLE 2, white/red/grey
0144 Hi	J201P5A	P201, CABLE 2, white/black/red
0144Lo	J201P6A	P201, CABLE 2, white/black/violet
0145 Hi	J201P5B	P201, CABLE 2, white/black/orange
0145 Lo	J201P6B	P201, CABLE 2, white/black/grey
0146 Hi	J201PSD	P201, CABLE 2, white/black/green
0146 Lo	J201P6D	P201, CABLE 2, white/brown/orange
0147 Hi	J201P5E	P201, CABLE 2, white/black/blue
0147 Lo	J201P6E	P201, CABLE 2, white/brown/yellow
COM14 Hi	J201P7C	P201, CABLE 2, white/brown/violet
COM 14 Lo	J201P8C	P201, CABLE 2, white/red/blue
COM14R Hi	J201P3C	P201, CABLE 2, white/red
COM14R Lo	J201P4C	P201, CABLE 2, white/violet
COM141W	J201P6C	P201, CABLE 2, white/brown/red
COM141WR	J201P5C	P201, CABLE 2, white/black/yellow

Multiplexer 15

Channel #	Connector Pin #	Connector / Cable # / Color
0150 Hi	J201P3A	P201, CABLE 2, white/black
0150 Lo	J201P4A	P201, CABLE 2, white/green
0151 Hi	J201P3B	P201, CABLE 2, white/brown
0151 Lo	J201P4B	P201, CABLE 2, white/blue
0152 Hi	J201P3D	P201, CABLE 2, white/orange
0152 Lo	J201P4D	P201, CABLE 2, white/grey
0153 Hi	J201P3E	P201, CABLE 2, white/yellow
0153 Lo	J201P4E	P201, CABLE 2, white/black/brown
0154 Hi	J201P1A	P201, CABLE2, black
0154 Lo	J201P2A	P201, CABLE 2, green
0155 Hi	J201P1B	P201, CABLE2, brown
0155 Lo	J201P2B	P201, CABLE2, blue
0156 Hi	J201P1D	P201, CABLE2, orange
0156 Lo	J201P2D	P201, CABLE2, grey
0157 Hi	J201P1E	P201, CABLE2, yellow
0157 Lo	J201P2E	P201, CABLE 2, white
COM15Hi	J201P1C	P201, CABLE2, red
COM15 Lo	J201P2C	P201, CABLE 2, violet

Table 3-1, 1260-38 Channel Number/Connector Pin/Cable Mapping Continued

Interconnecting Channels

Channel #	Path
1000	COM 00 TO COM 02
1001	COM 01 TO COM 03
1002	COM 00 TO COM 01
2000	COM 02 TO COM 04
2001	COM 03 TO COM 05
2002	COM 02 TO COM 03
3000	COM 04 TO COM 06
3001	COM 05 TO COM 07
3002	COM 04 TO COM 05
4000	COM 06 TO COM 08
4001	COM 07 TO COM 09
4002	COM 06 TO COM 07
5000	COM 08 TO COM 10
5001	COM 09 TO COM 11
5002	COM 08 TO COM 09
6000	COM 10 TO COM 12
6001	COM 11 TO COM 13
6002	COM 10 TO COM 11
7000	COM 12 TO COM 14
7001	COM 13 TO COM 15
7002	COM 12 TO COM 13
8000	COM 14 TO COM 15

One-Wire Channels

9000	COM001W COM001WR	- open connects to COM00 Hi - close connects to COM00 Lo - open connects to COM00R Hi - close connects to COM00R Lo
9001	COM021W COM021WR	- open connects to COM02 Hi - close connects to COM02 Lo - open connects to COM02R Hi - close connects to COM02R Lo
9002	COM041W COM041WR	- open connects to COM04 Hi - close connects to COM04 Lo - open connects to COM04R Hi - close connects to COM04R Lo
9003	COM061W COM061WR	- open connects to COM06 Hi - close connects to COM06 Lo - open connects to COM06R Hi - close connects to COM06R Lo
9004	COM081W COM081WR	- open connects to COM08 Hi - close connects to COM08 Lo - open connects to COM08R Hi - close connects to COM08R Lo
9005	COM101W COM101WR	- open connects to COM10 Hi - close connects to COM10 Lo - open connects to COM10R Hi - close connects to COM10R Lo
9006	COM121W COM121WR	- open connects to COM12 Hi - close connects to COM12 Lo - open connects to COM12R Hi - close connects to COM12R Lo
9007	COM141W COM141WR	- open connects to COM14 Hi - close connects to COM14 Lo - open connects to COM14R Hi - close connects to COM14R Lo

Chapter 4

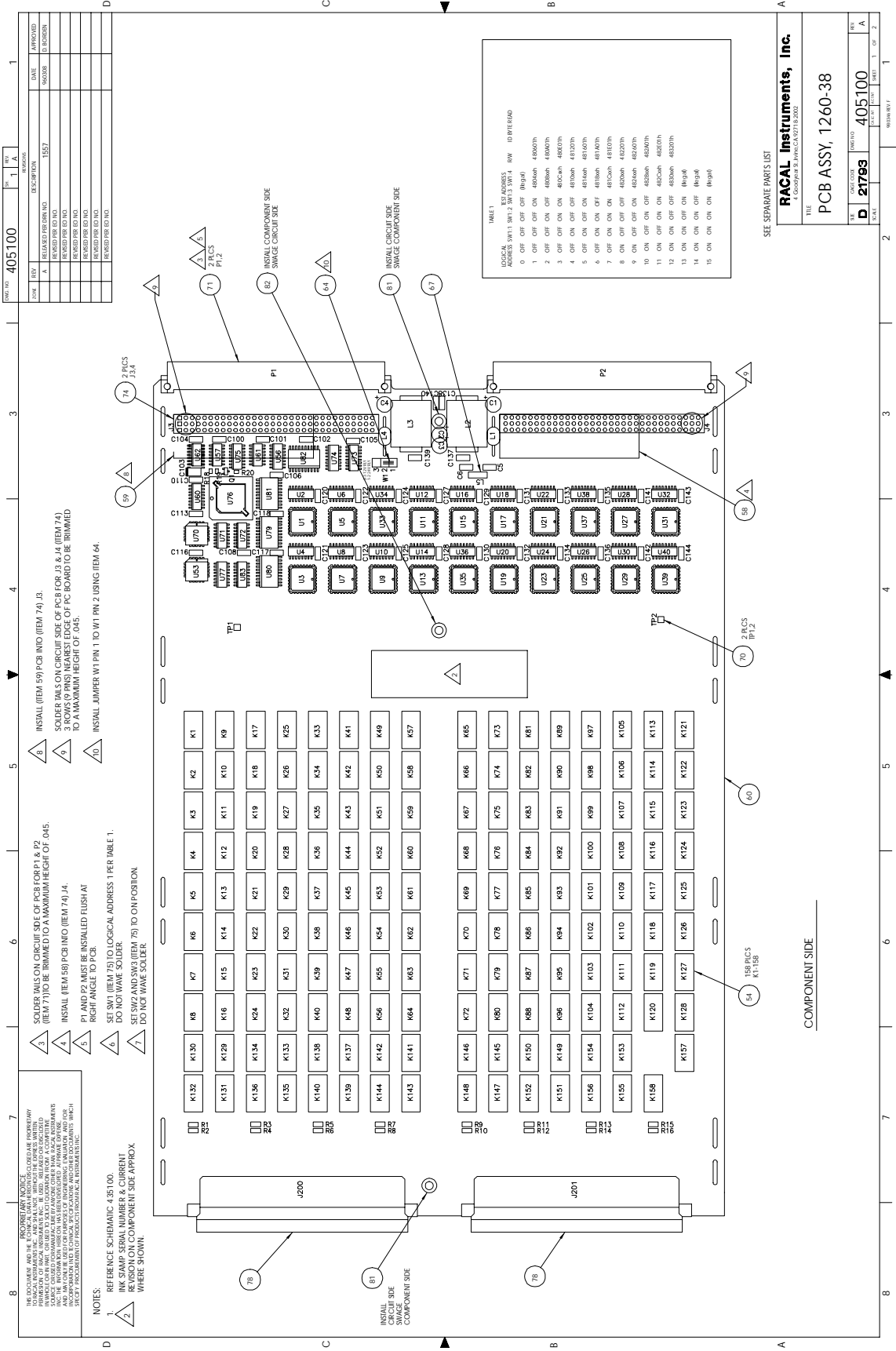
DRAWINGS


407410	Final Assembly, 1260-38	4-3
405100	PCB Assembly, 1260-38	4-4
435100	Schematic, 1260-38	4-5

Front Panel Connector Accessories

407407	160-Pin Connector Kit with backshell and pins	4-28
407408	160-Pin Cable Assy, 6ft., 24GA.....	4-29
407409	160-Pin Cable Assy, 12ft., 24GA.....	4-30

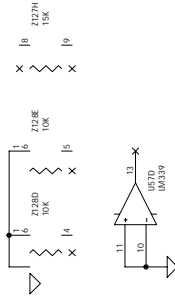
This page was left intentionally blank.



1. CAPACITOR VALUES ARE IN MICROFARADS, 50V, +/-20% UNLESS OTHERWISE SPECIFIED.
2. RESISTOR VALUES ARE IN OHMS, 1/8W, +/-5% UNLESS OTHERWISE SPECIFIED.
3. RESISTOR NETWORK VALUES ARE IN OHMS, +/-2%.
4.  PARTS INDICATED ARE NOT INSTALLED.
5. RELAYS K1-K159 ARE RACAL INSTRUMENTS P/N 310256.

Z128
W1
UB3
UB5
UB7
UB9
R20
O1
P2
C158
K158
J201
C167
HIGHEST
REF DES.

U82	74HC299	20	10
U72	23154(2V100)	28	14
U75	24LS31	16	8
U73,74	24LS32	16	8
U76	24LS33	16	8
U70,72,77,83	74HC164	20	10
U61,62	74HC164	14	7
U7	74HC165	16	8
U6	74HC165	16	8
U54,55,78	74HC138	16	8
U53	23153(200T1684)	20	10
U5	74HC166	16	8
U4,8,10,13,14,15,16,17,18,19,20,21,22,24,26,28,30,32,34,36,38,40,60	5801BV	27	15
U1,3,7,9,11,12,13,14,15,16,17,18,19,20,21,22,23,25,27,29,31,33,35,37,39			16,17
REF DIS	IC TYPE	IC/PIN NO.	IC/PIN NO.
IC POWER CONNECTIONS			



UNUSED GATES

CAD CURRENT REV. IIR
FOR SHEETS 1 THRU 23.
REVISION A.

- CAD FILENAMES
- LINK
 - SHEET1.SCH
 - SHEET2.SCH
 - SHEET3.SCH
 - SHEET4.SCH
 - SHEET5.SCH
 - SHEET6.SCH
 - SHEET7.SCH
 - SHEET8.SCH
 - SHEET9.SCH
 - SHEET10.SCH
 - SHEET11.SCH
 - SHEET12.SCH
 - SHEET13.SCH
 - SHEET14.SCH
 - SHEET15.SCH
 - SHEET16.SCH
 - SHEET17.SCH
 - SHEET18.SCH
 - SHEET19.SCH
 - SHEET20.SCH
 - SHEET21.SCH
 - SHEET22.SCH
 - SHEET23.SCH
- DRAWN WITH ORCAD 4.10

PROPERTY NOTICE
THIS DOCUMENT AND THE INFORMATION CONTAINED HEREIN ARE THE PROPERTY OF RACAL INSTRUMENTS, INC. IT IS TO BE KEPT IN CONFIDENCE AND IS NOT TO BE REPRODUCED OR TRANSMITTED IN ANY FORM OR BY ANY MEANS, ELECTRONIC OR MECHANICAL, INCLUDING PHOTOCOPYING, RECORDING, OR BY ANY INFORMATION STORAGE AND RETRIEVAL SYSTEM, WITHOUT THE WRITTEN PERMISSION OF RACAL INSTRUMENTS, INC.

RACAL Instruments, Inc.
4 Goodspeed St., Irvine, CA 92718-2002

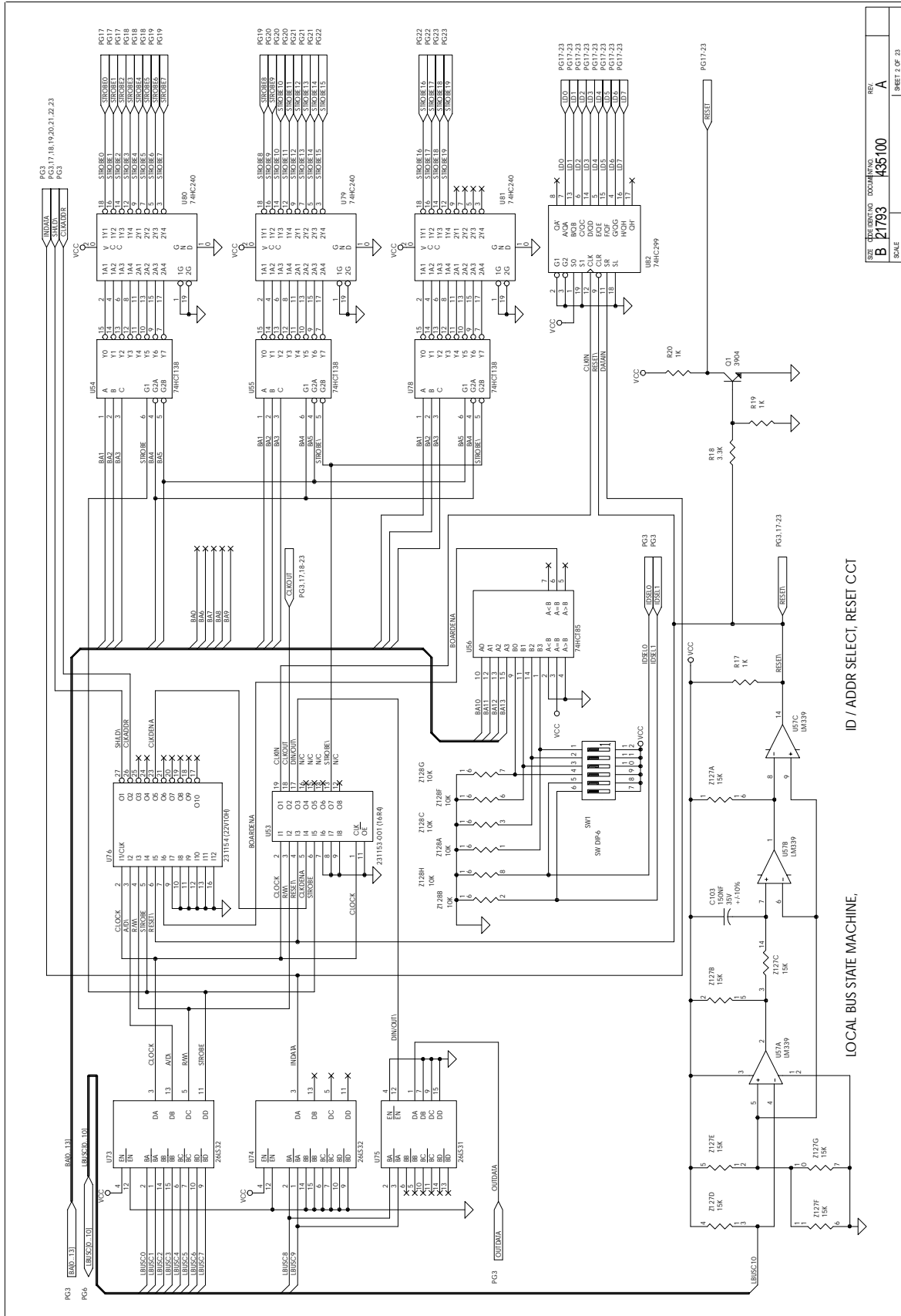
TITLE
SCHEM, 1260-38

REV. NO. DOCUMENT NO.
D 21793 435100

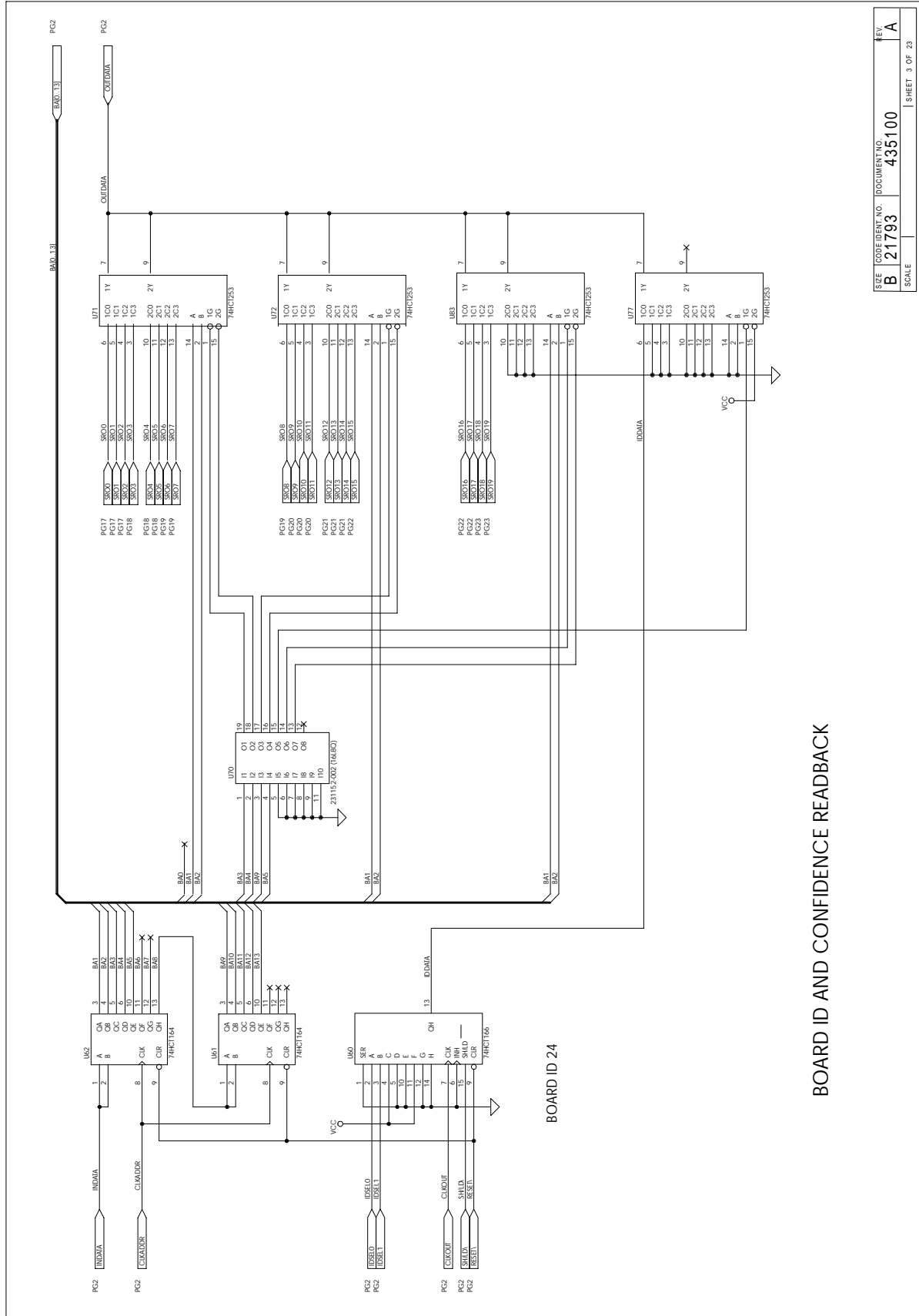
SCALE

REV. A

SHEET 1 OF 23

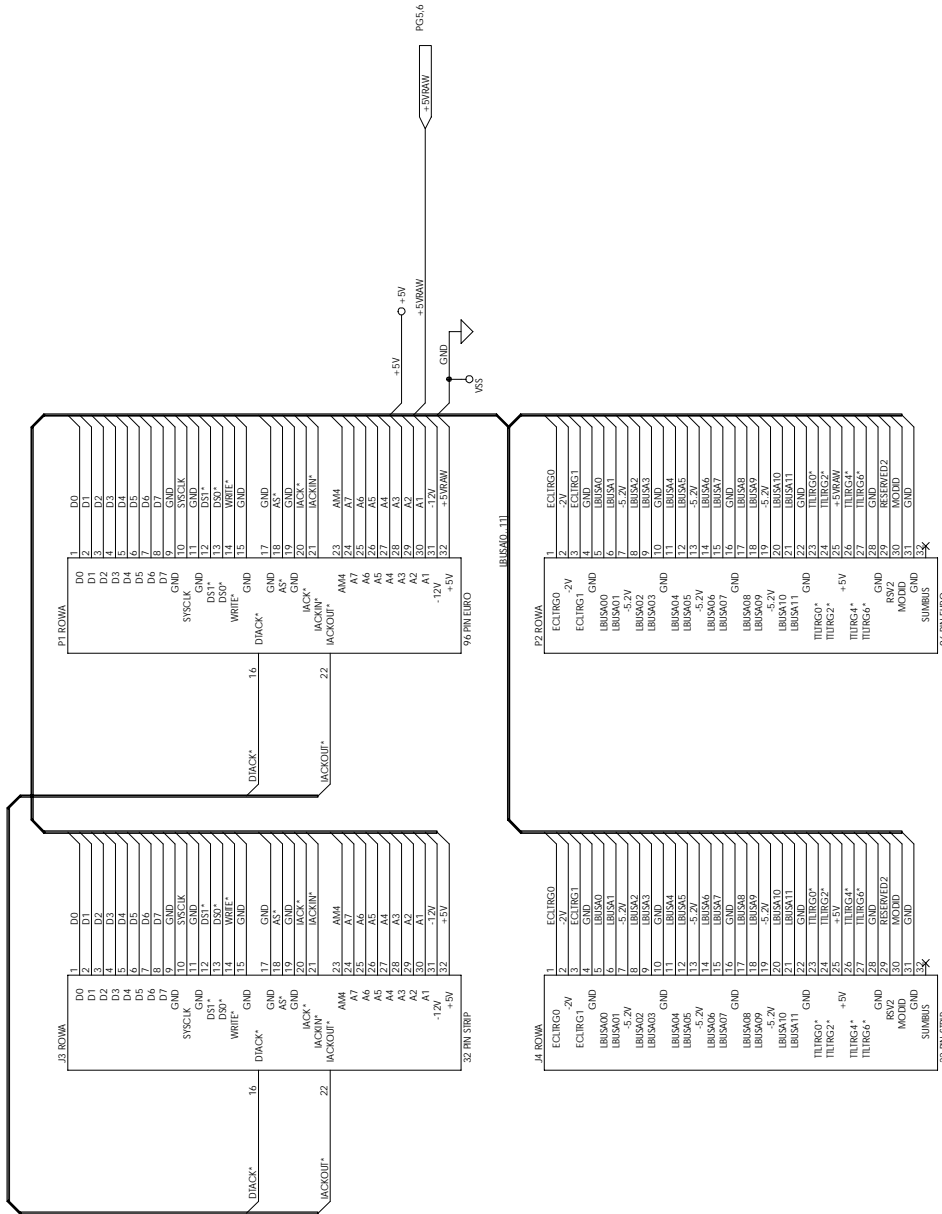


SIZE	1260-38-100	DOC#	1260-38	REV	A
SCALE	B	21793	435-100		
SHEET 2 OF 23					



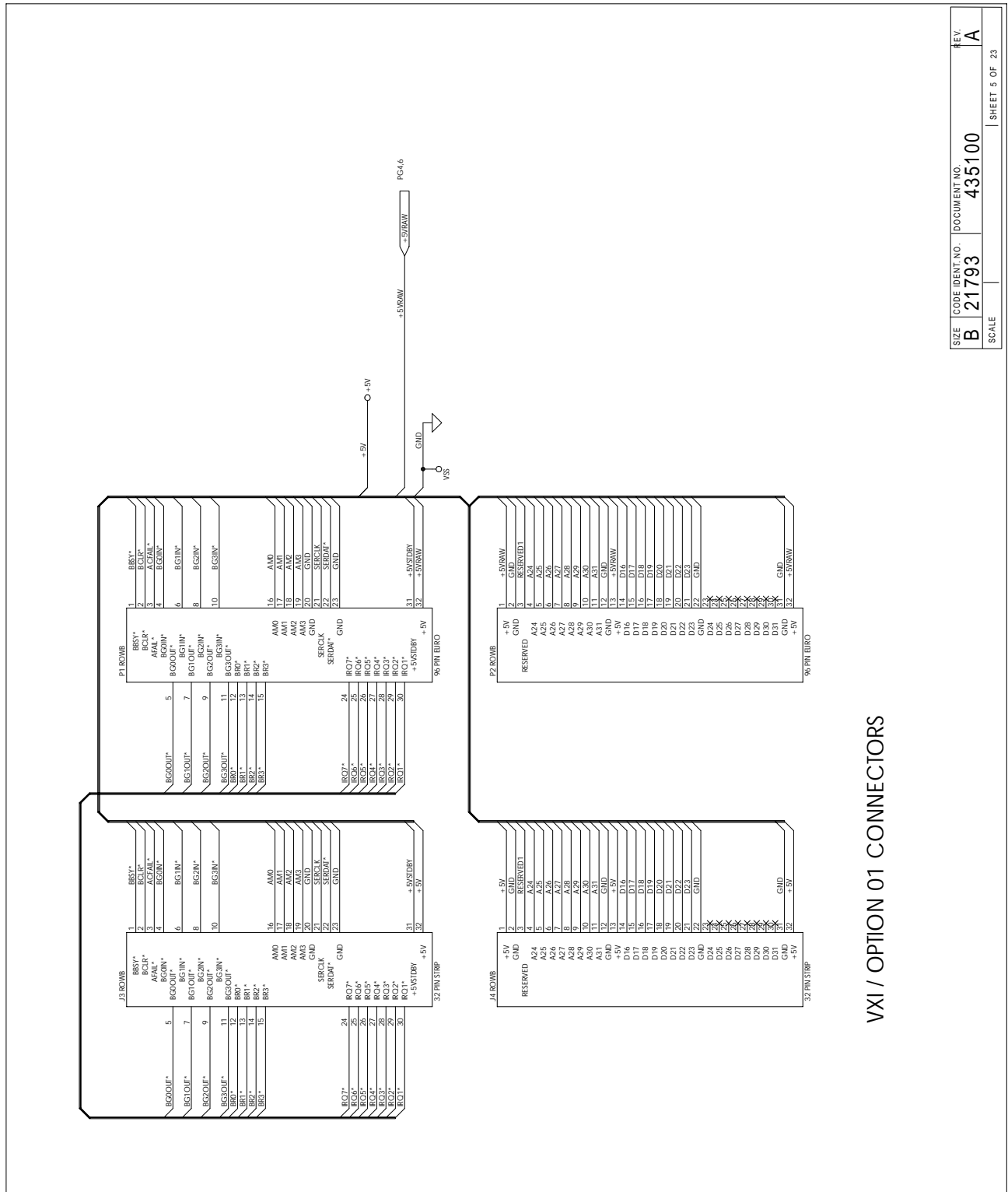
BOARD ID AND CONFIDENCE READBACK

SIZE	CODE IDENT NO.	DOCUMENT NO.	REV.
B	21793	435100	A
SCALE		SHEET 3 OF 23	



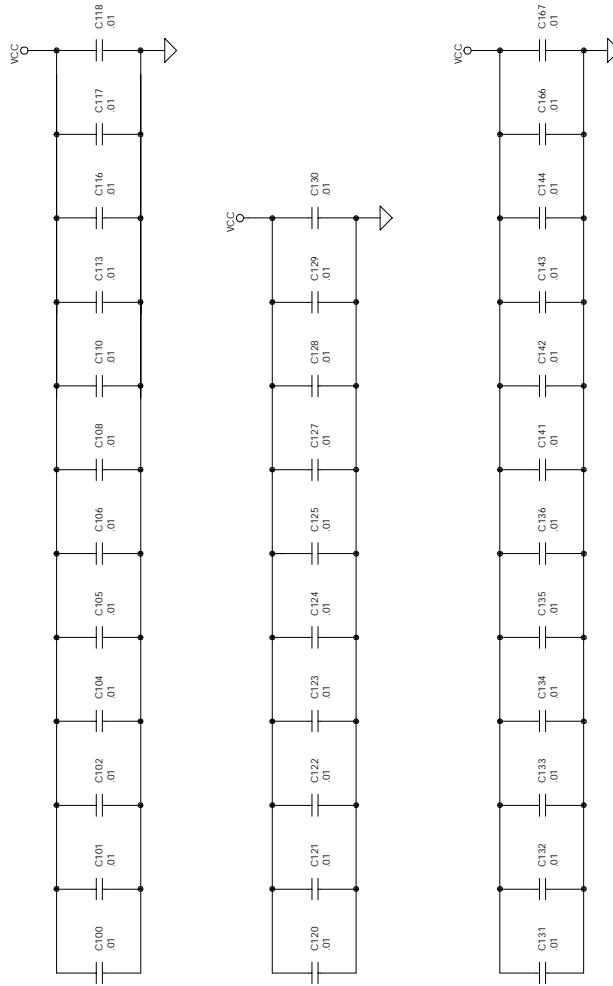
VXI / OPTION 01 CONNECTORS

SIZE	CODE IDENT. NO.	DOCUMENT NO.	REV.
B	21793	435100	A
SCALE			SHEET 4 OF 23



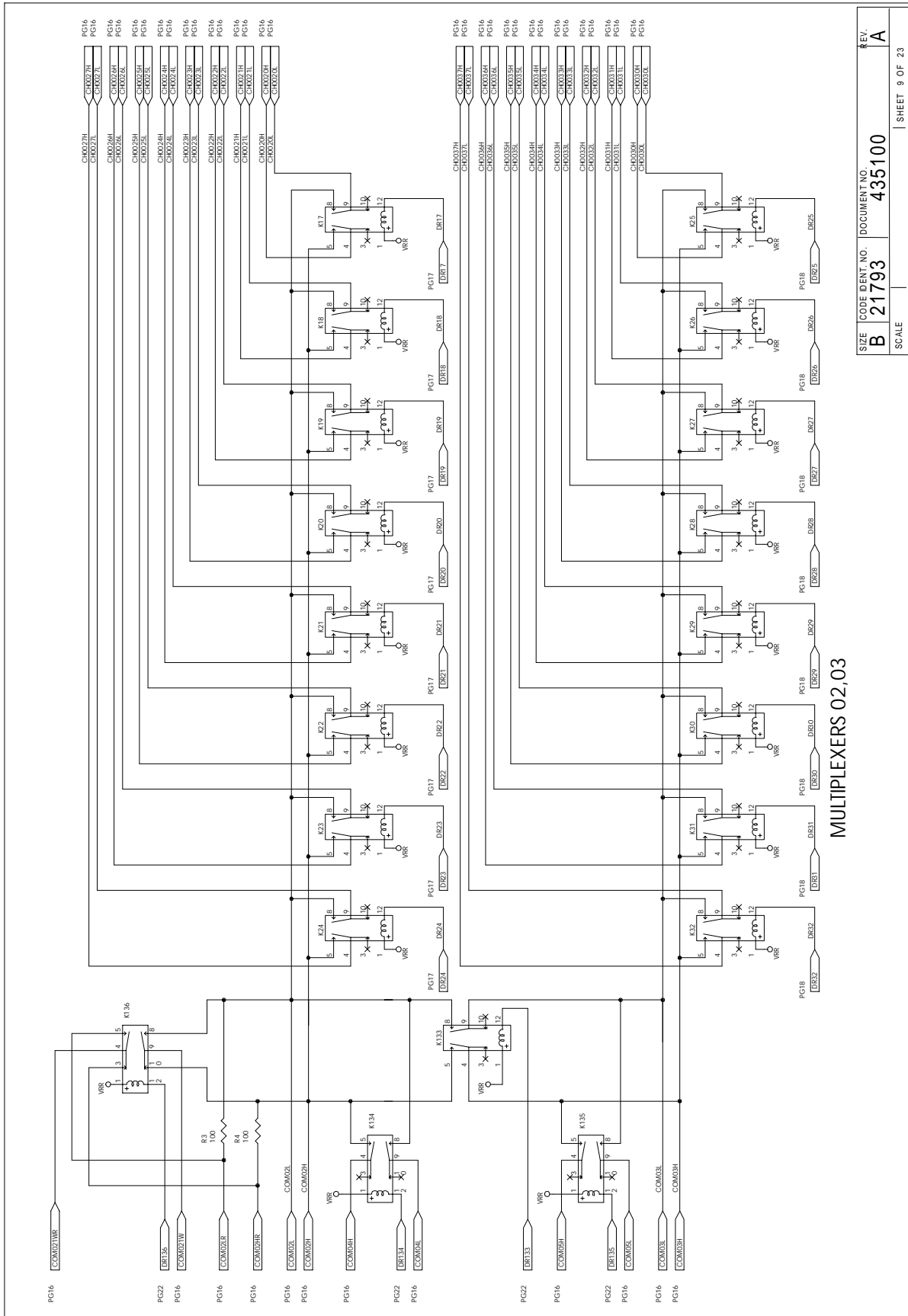
VXI / OPTION 01 CONNECTORS

SIZE	CODE IDENT. NO.	DOCUMENT NO.	REV.
B	21793	435100	A
SCALE			SHEET 5 OF 23



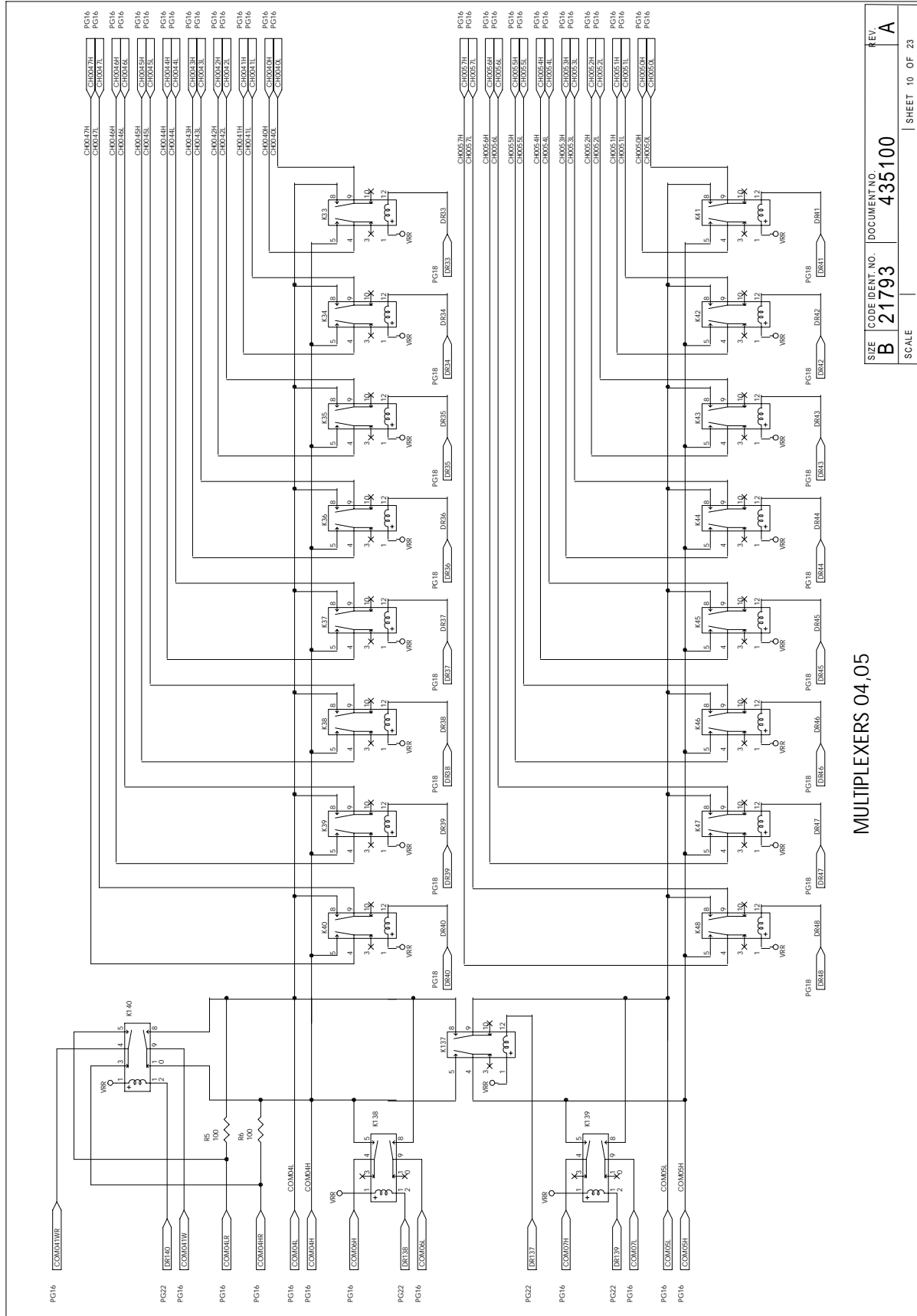
DECOUPLING CAPACITORS

SIZE	CODE IDENT. NO.	DOCUMENT NO.	REV.
B	21793	435100	A
SCALE		SHEET 7 OF 23	



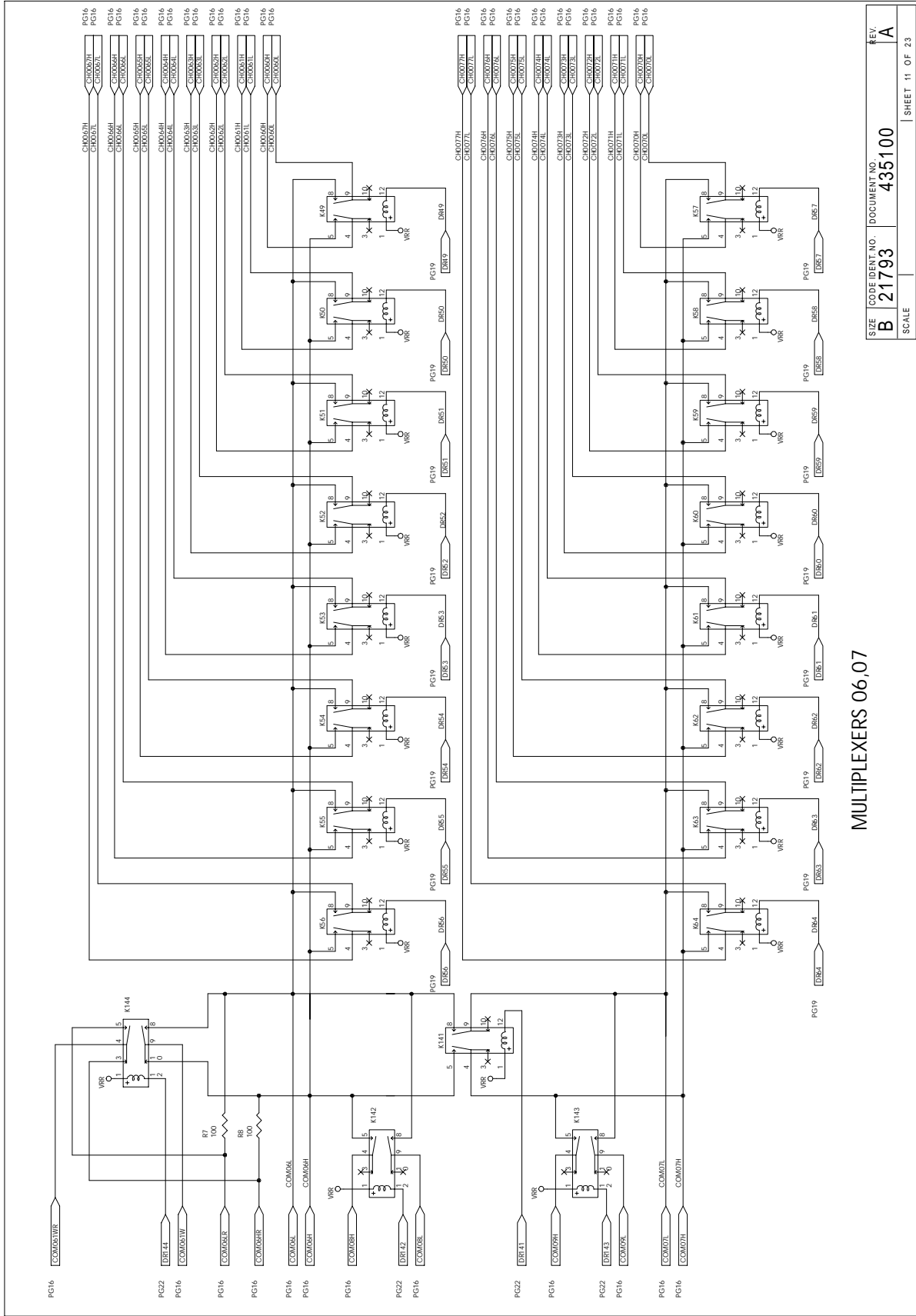
MULTIPLEXERS 02.03

SIZE	CODE IDENT. NO.	DOCUMENT NO.	REV.
B	21793	435100	A
SCALE			SHEET 9 OF 23



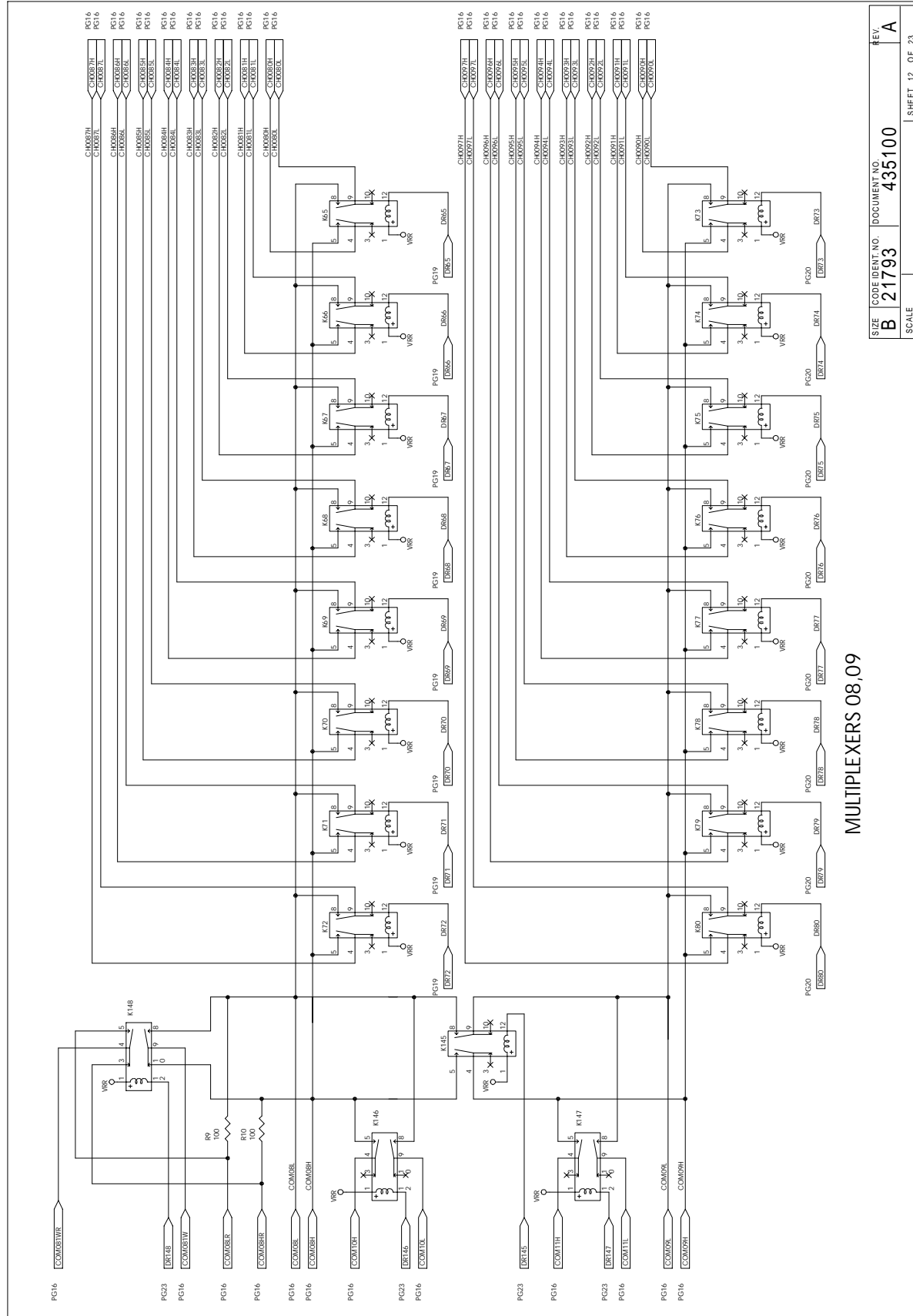
MULTIPLEXERS 04,05

SIZE	CODE IDENT. NO.	DOCUMENT NO.	REV.
B	21793	435100	A
SCALE	SHEET 10 OF 23		



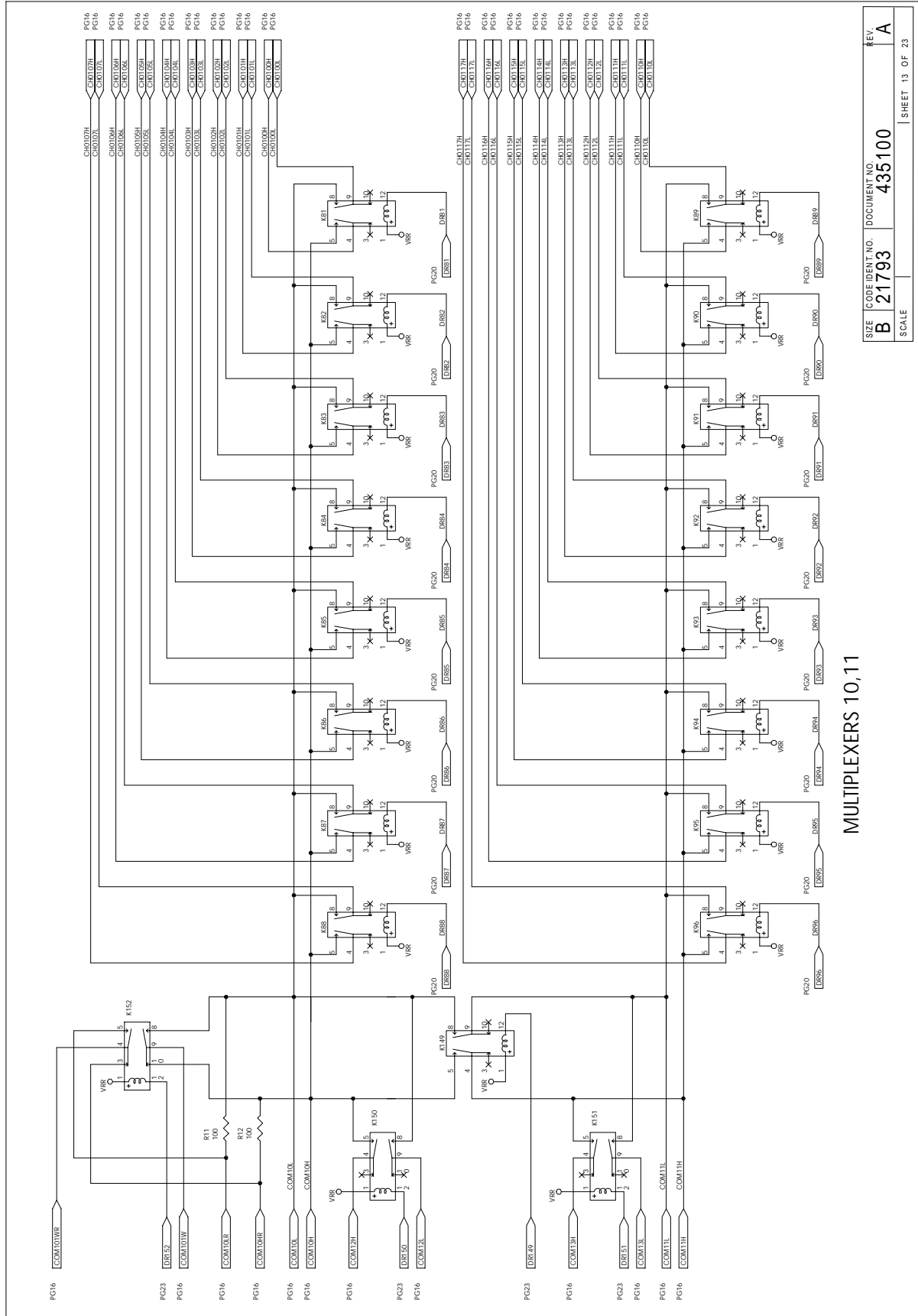
MULTIPLEXERS 06,07

SIZE	CODE IDENT NO.	DOCUMENT NO.	REV.
B	21793	435100	A
SCALE			SHEET 11 OF 23



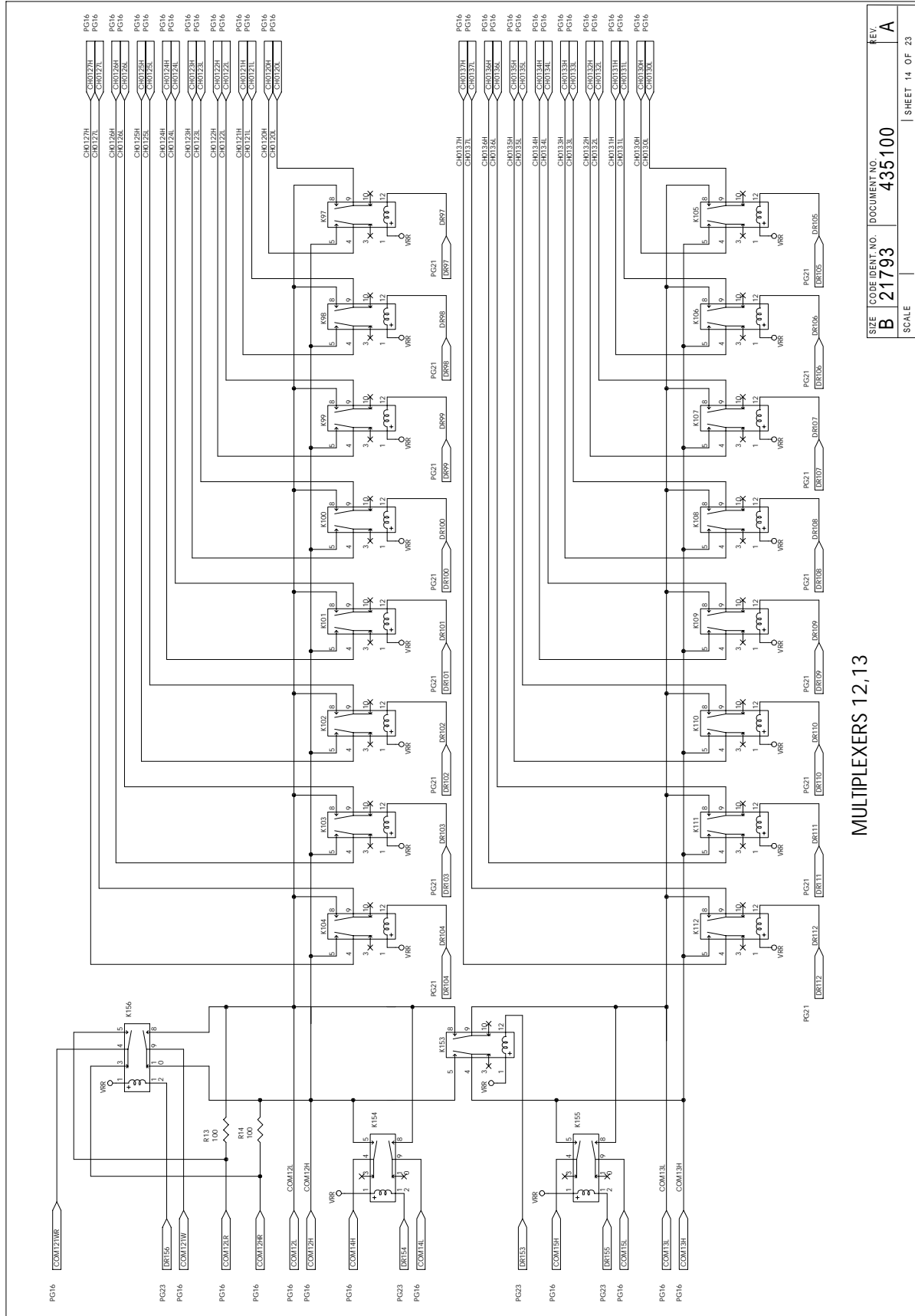
MULTIPLEXERS 08,09

SIZE	CODE IDENT. NO.	DOCUMENT NO.	REV.
B	21793	435100	A
SCALE			SHEET 12 OF 23



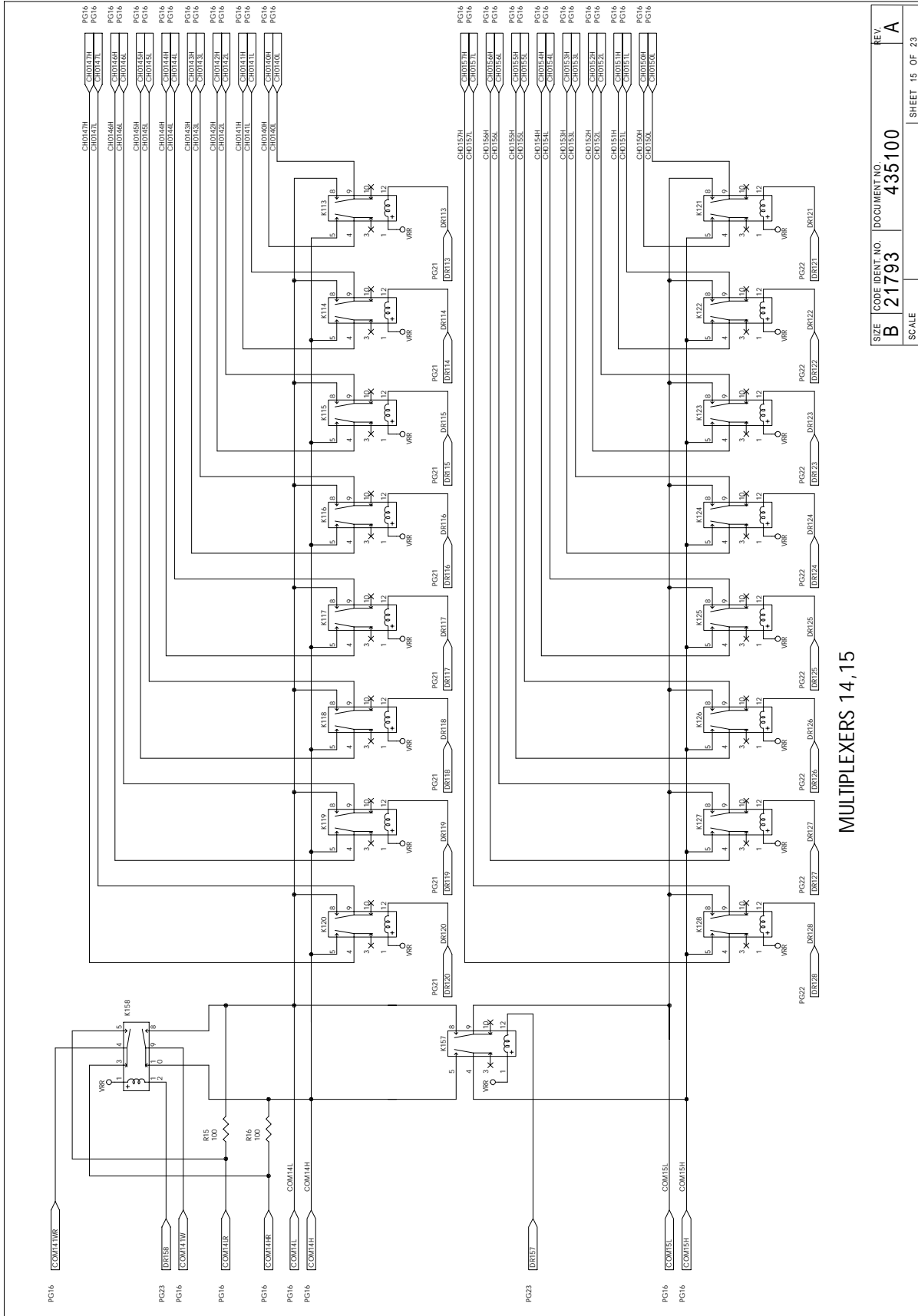
MULTIPLEXERS 10,11

SIZE	CODE IDENT. NO.	DOCUMENT NO.	REV.
B	21793	435100	A
SCALE			SHEET 13 OF 23



MULTIPLEXERS 12,13

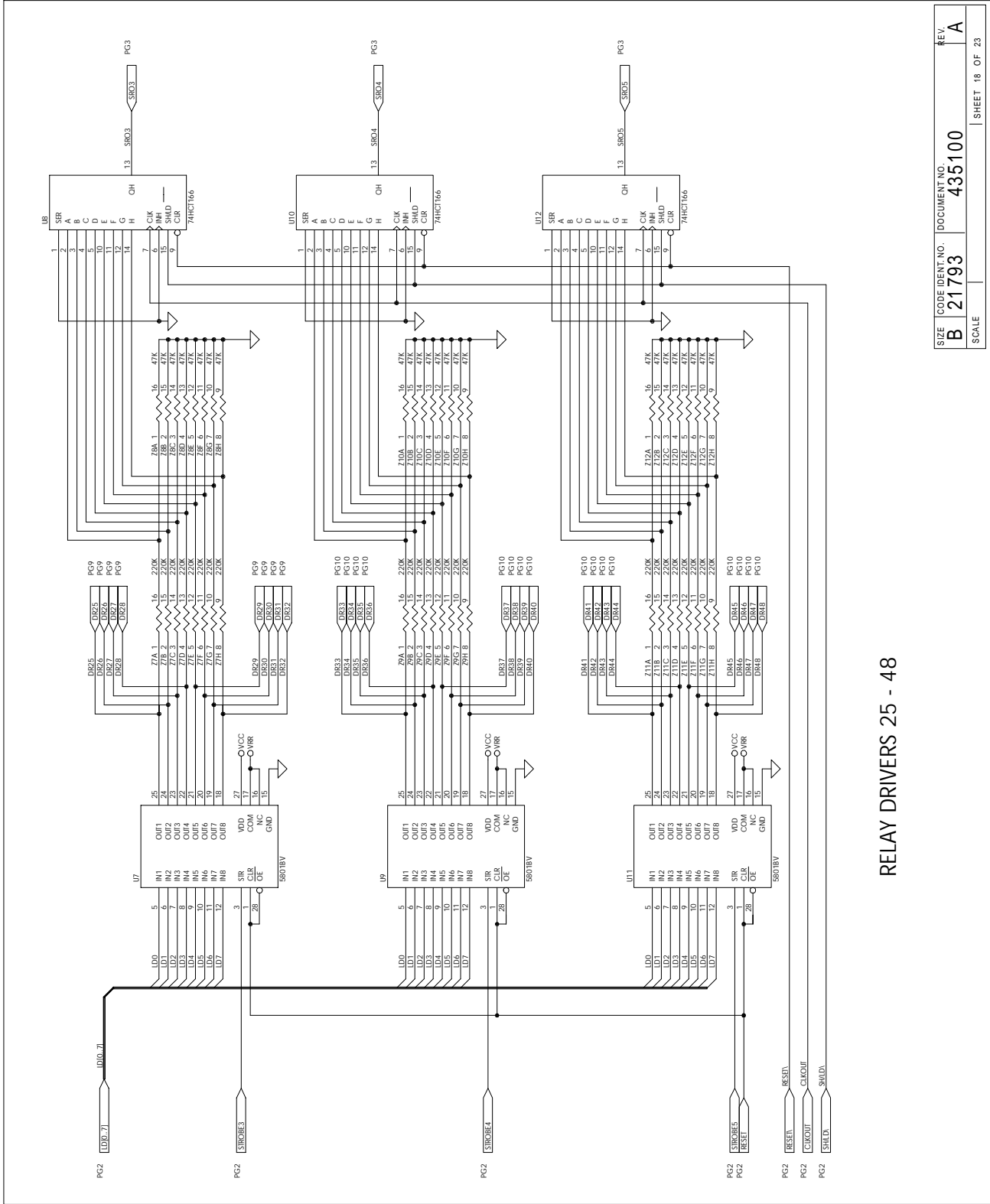
SIZE	CODE IDENT NO.	DOCUMENT NO.	REV.
B	21793	435100	A
SCALE			SHEET 14 OF 23



MULTIPLEXERS 14, 15

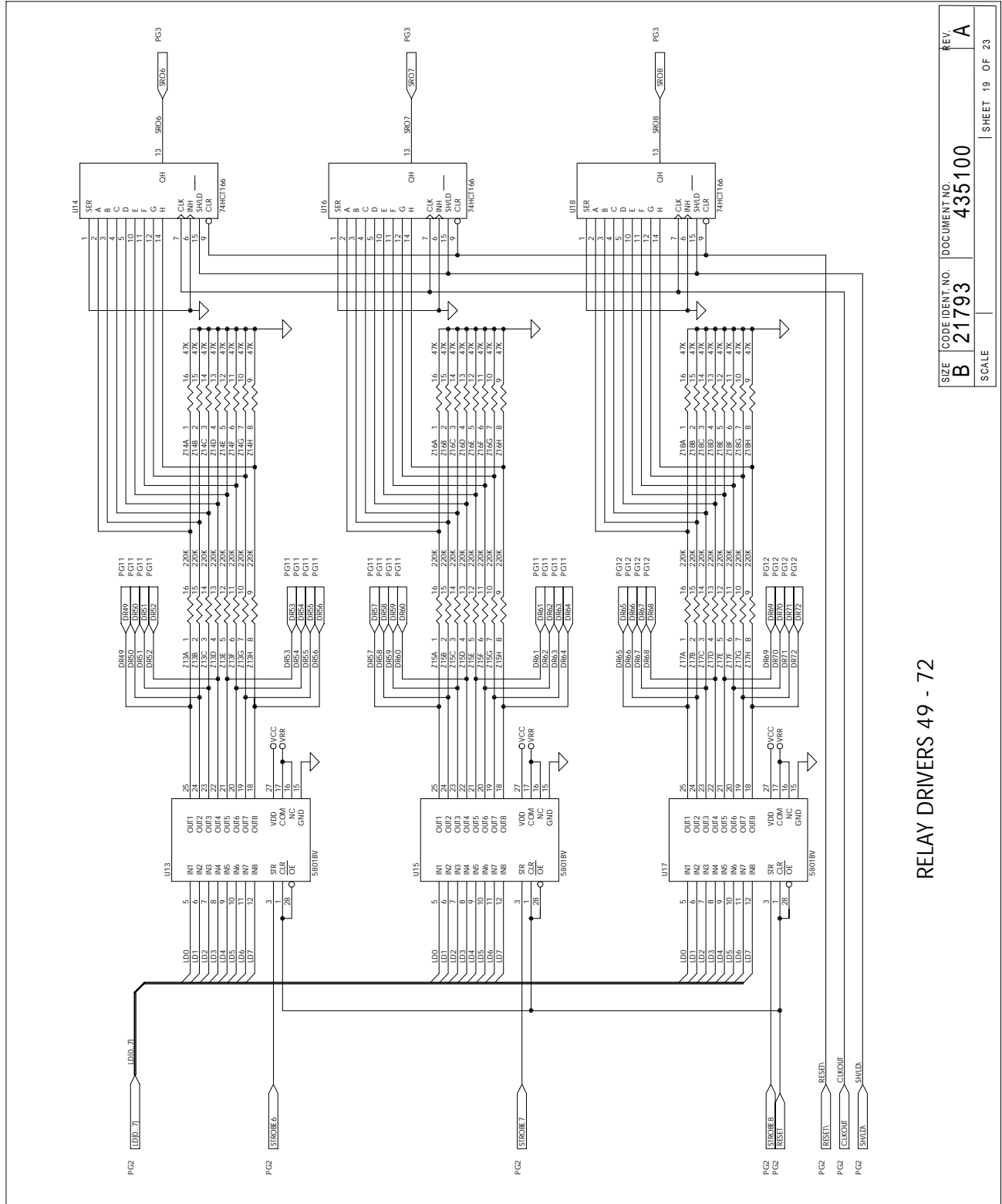
SIZE	CODE	DENT. NO.	DOCUMENT NO.	REV.
B	21793	435100		A
SCALE				SHEET 15 OF 23

<p>J201 ROWA</p> <table border="1"> <tr><td>1A</td><td>CH0074H</td><td>PG11</td></tr> <tr><td>2A</td><td>CH0074L</td><td>PG11</td></tr> <tr><td>3A</td><td>CH0074R</td><td>PG11</td></tr> <tr><td>4A</td><td>CH0074M</td><td>PG11</td></tr> <tr><td>5A</td><td>CH0074N</td><td>PG11</td></tr> <tr><td>6A</td><td>CH0074P</td><td>PG11</td></tr> <tr><td>7A</td><td>CH0074Q</td><td>PG11</td></tr> <tr><td>8A</td><td>CH0074S</td><td>PG11</td></tr> <tr><td>9A</td><td>CH0074T</td><td>PG11</td></tr> <tr><td>10A</td><td>CH0074U</td><td>PG11</td></tr> <tr><td>11A</td><td>CH0074V</td><td>PG11</td></tr> <tr><td>12A</td><td>CH0074W</td><td>PG11</td></tr> <tr><td>13A</td><td>CH0074X</td><td>PG11</td></tr> <tr><td>14A</td><td>CH0074Y</td><td>PG11</td></tr> <tr><td>15A</td><td>CH0074Z</td><td>PG11</td></tr> <tr><td>16A</td><td>CH0074AA</td><td>PG11</td></tr> <tr><td>17A</td><td>CH0074AB</td><td>PG11</td></tr> <tr><td>18A</td><td>CH0074AC</td><td>PG11</td></tr> <tr><td>19A</td><td>CH0074AD</td><td>PG11</td></tr> <tr><td>20A</td><td>CH0074AE</td><td>PG11</td></tr> <tr><td>21A</td><td>CH0074AF</td><td>PG11</td></tr> <tr><td>22A</td><td>CH0074AG</td><td>PG11</td></tr> <tr><td>23A</td><td>CH0074AH</td><td>PG11</td></tr> <tr><td>24A</td><td>CH0074AI</td><td>PG11</td></tr> <tr><td>25A</td><td>CH0074AJ</td><td>PG11</td></tr> <tr><td>26A</td><td>CH0074AK</td><td>PG11</td></tr> <tr><td>27A</td><td>CH0074AL</td><td>PG11</td></tr> <tr><td>28A</td><td>CH0074AM</td><td>PG11</td></tr> <tr><td>29A</td><td>CH0074AN</td><td>PG11</td></tr> <tr><td>30A</td><td>CH0074AO</td><td>PG11</td></tr> <tr><td>31A</td><td>CH0074AP</td><td>PG11</td></tr> <tr><td>32A</td><td>CH0074AQ</td><td>PG11</td></tr> </table> <p>5X32A</p>	1A	CH0074H	PG11	2A	CH0074L	PG11	3A	CH0074R	PG11	4A	CH0074M	PG11	5A	CH0074N	PG11	6A	CH0074P	PG11	7A	CH0074Q	PG11	8A	CH0074S	PG11	9A	CH0074T	PG11	10A	CH0074U	PG11	11A	CH0074V	PG11	12A	CH0074W	PG11	13A	CH0074X	PG11	14A	CH0074Y	PG11	15A	CH0074Z	PG11	16A	CH0074AA	PG11	17A	CH0074AB	PG11	18A	CH0074AC	PG11	19A	CH0074AD	PG11	20A	CH0074AE	PG11	21A	CH0074AF	PG11	22A	CH0074AG	PG11	23A	CH0074AH	PG11	24A	CH0074AI	PG11	25A	CH0074AJ	PG11	26A	CH0074AK	PG11	27A	CH0074AL	PG11	28A	CH0074AM	PG11	29A	CH0074AN	PG11	30A	CH0074AO	PG11	31A	CH0074AP	PG11	32A	CH0074AQ	PG11	<p>J201 ROWB</p> <table border="1"> <tr><td>1B</td><td>CH0075H</td><td>PG15</td></tr> <tr><td>2B</td><td>CH0075L</td><td>PG15</td></tr> <tr><td>3B</td><td>CH0075R</td><td>PG15</td></tr> <tr><td>4B</td><td>CH0075M</td><td>PG15</td></tr> <tr><td>5B</td><td>CH0075N</td><td>PG15</td></tr> <tr><td>6B</td><td>CH0075P</td><td>PG15</td></tr> <tr><td>7B</td><td>CH0075Q</td><td>PG15</td></tr> <tr><td>8B</td><td>CH0075S</td><td>PG15</td></tr> <tr><td>9B</td><td>CH0075T</td><td>PG15</td></tr> <tr><td>10B</td><td>CH0075U</td><td>PG15</td></tr> <tr><td>11B</td><td>CH0075V</td><td>PG15</td></tr> <tr><td>12B</td><td>CH0075W</td><td>PG15</td></tr> <tr><td>13B</td><td>CH0075X</td><td>PG15</td></tr> <tr><td>14B</td><td>CH0075Y</td><td>PG15</td></tr> <tr><td>15B</td><td>CH0075Z</td><td>PG15</td></tr> <tr><td>16B</td><td>CH0075AA</td><td>PG15</td></tr> <tr><td>17B</td><td>CH0075AB</td><td>PG15</td></tr> <tr><td>18B</td><td>CH0075AC</td><td>PG15</td></tr> <tr><td>19B</td><td>CH0075AD</td><td>PG15</td></tr> <tr><td>20B</td><td>CH0075AE</td><td>PG15</td></tr> <tr><td>21B</td><td>CH0075AF</td><td>PG15</td></tr> <tr><td>22B</td><td>CH0075AG</td><td>PG15</td></tr> <tr><td>23B</td><td>CH0075AH</td><td>PG15</td></tr> <tr><td>24B</td><td>CH0075AI</td><td>PG15</td></tr> <tr><td>25B</td><td>CH0075AJ</td><td>PG15</td></tr> <tr><td>26B</td><td>CH0075AK</td><td>PG15</td></tr> <tr><td>27B</td><td>CH0075AL</td><td>PG15</td></tr> <tr><td>28B</td><td>CH0075AM</td><td>PG15</td></tr> <tr><td>29B</td><td>CH0075AN</td><td>PG15</td></tr> <tr><td>30B</td><td>CH0075AO</td><td>PG15</td></tr> <tr><td>31B</td><td>CH0075AP</td><td>PG15</td></tr> <tr><td>32B</td><td>CH0075AQ</td><td>PG15</td></tr> </table> <p>5X32B</p>	1B	CH0075H	PG15	2B	CH0075L	PG15	3B	CH0075R	PG15	4B	CH0075M	PG15	5B	CH0075N	PG15	6B	CH0075P	PG15	7B	CH0075Q	PG15	8B	CH0075S	PG15	9B	CH0075T	PG15	10B	CH0075U	PG15	11B	CH0075V	PG15	12B	CH0075W	PG15	13B	CH0075X	PG15	14B	CH0075Y	PG15	15B	CH0075Z	PG15	16B	CH0075AA	PG15	17B	CH0075AB	PG15	18B	CH0075AC	PG15	19B	CH0075AD	PG15	20B	CH0075AE	PG15	21B	CH0075AF	PG15	22B	CH0075AG	PG15	23B	CH0075AH	PG15	24B	CH0075AI	PG15	25B	CH0075AJ	PG15	26B	CH0075AK	PG15	27B	CH0075AL	PG15	28B	CH0075AM	PG15	29B	CH0075AN	PG15	30B	CH0075AO	PG15	31B	CH0075AP	PG15	32B	CH0075AQ	PG15	<p>J201 ROWC</p> <table border="1"> <tr><td>1C</td><td>COM07H</td><td>PG15</td></tr> <tr><td>2C</td><td>COM07L</td><td>PG15</td></tr> <tr><td>3C</td><td>COM07R</td><td>PG15</td></tr> <tr><td>4C</td><td>COM07M</td><td>PG15</td></tr> <tr><td>5C</td><td>COM07N</td><td>PG15</td></tr> <tr><td>6C</td><td>COM07P</td><td>PG15</td></tr> <tr><td>7C</td><td>COM07Q</td><td>PG15</td></tr> <tr><td>8C</td><td>COM07S</td><td>PG15</td></tr> <tr><td>9C</td><td>COM07T</td><td>PG15</td></tr> <tr><td>10C</td><td>COM07U</td><td>PG15</td></tr> <tr><td>11C</td><td>COM07V</td><td>PG15</td></tr> <tr><td>12C</td><td>COM07W</td><td>PG15</td></tr> <tr><td>13C</td><td>COM07X</td><td>PG15</td></tr> <tr><td>14C</td><td>COM07Y</td><td>PG15</td></tr> <tr><td>15C</td><td>COM07Z</td><td>PG15</td></tr> <tr><td>16C</td><td>COM07AA</td><td>PG15</td></tr> <tr><td>17C</td><td>COM07AB</td><td>PG15</td></tr> <tr><td>18C</td><td>COM07AC</td><td>PG15</td></tr> <tr><td>19C</td><td>COM07AD</td><td>PG15</td></tr> <tr><td>20C</td><td>COM07AE</td><td>PG15</td></tr> <tr><td>21C</td><td>COM07AF</td><td>PG15</td></tr> <tr><td>22C</td><td>COM07AG</td><td>PG15</td></tr> <tr><td>23C</td><td>COM07AH</td><td>PG15</td></tr> <tr><td>24C</td><td>COM07AI</td><td>PG15</td></tr> <tr><td>25C</td><td>COM07AJ</td><td>PG15</td></tr> <tr><td>26C</td><td>COM07AK</td><td>PG15</td></tr> <tr><td>27C</td><td>COM07AL</td><td>PG15</td></tr> <tr><td>28C</td><td>COM07AM</td><td>PG15</td></tr> <tr><td>29C</td><td>COM07AN</td><td>PG15</td></tr> <tr><td>30C</td><td>COM07AO</td><td>PG15</td></tr> <tr><td>31C</td><td>COM07AP</td><td>PG15</td></tr> <tr><td>32C</td><td>COM07AQ</td><td>PG15</td></tr> </table> <p>5X32C</p>	1C	COM07H	PG15	2C	COM07L	PG15	3C	COM07R	PG15	4C	COM07M	PG15	5C	COM07N	PG15	6C	COM07P	PG15	7C	COM07Q	PG15	8C	COM07S	PG15	9C	COM07T	PG15	10C	COM07U	PG15	11C	COM07V	PG15	12C	COM07W	PG15	13C	COM07X	PG15	14C	COM07Y	PG15	15C	COM07Z	PG15	16C	COM07AA	PG15	17C	COM07AB	PG15	18C	COM07AC	PG15	19C	COM07AD	PG15	20C	COM07AE	PG15	21C	COM07AF	PG15	22C	COM07AG	PG15	23C	COM07AH	PG15	24C	COM07AI	PG15	25C	COM07AJ	PG15	26C	COM07AK	PG15	27C	COM07AL	PG15	28C	COM07AM	PG15	29C	COM07AN	PG15	30C	COM07AO	PG15	31C	COM07AP	PG15	32C	COM07AQ	PG15	<p>J201 ROWD</p> <table border="1"> <tr><td>1D</td><td>CH0076H</td><td>PG15</td></tr> <tr><td>2D</td><td>CH0076L</td><td>PG15</td></tr> <tr><td>3D</td><td>CH0076R</td><td>PG15</td></tr> <tr><td>4D</td><td>CH0076M</td><td>PG15</td></tr> <tr><td>5D</td><td>CH0076N</td><td>PG15</td></tr> <tr><td>6D</td><td>CH0076P</td><td>PG15</td></tr> <tr><td>7D</td><td>CH0076Q</td><td>PG15</td></tr> <tr><td>8D</td><td>CH0076S</td><td>PG15</td></tr> <tr><td>9D</td><td>CH0076T</td><td>PG15</td></tr> <tr><td>10D</td><td>CH0076U</td><td>PG15</td></tr> <tr><td>11D</td><td>CH0076V</td><td>PG15</td></tr> <tr><td>12D</td><td>CH0076W</td><td>PG15</td></tr> <tr><td>13D</td><td>CH0076X</td><td>PG15</td></tr> <tr><td>14D</td><td>CH0076Y</td><td>PG15</td></tr> <tr><td>15D</td><td>CH0076Z</td><td>PG15</td></tr> <tr><td>16D</td><td>CH0076AA</td><td>PG15</td></tr> <tr><td>17D</td><td>CH0076AB</td><td>PG15</td></tr> <tr><td>18D</td><td>CH0076AC</td><td>PG15</td></tr> <tr><td>19D</td><td>CH0076AD</td><td>PG15</td></tr> <tr><td>20D</td><td>CH0076AE</td><td>PG15</td></tr> <tr><td>21D</td><td>CH0076AF</td><td>PG15</td></tr> <tr><td>22D</td><td>CH0076AG</td><td>PG15</td></tr> <tr><td>23D</td><td>CH0076AH</td><td>PG15</td></tr> <tr><td>24D</td><td>CH0076AI</td><td>PG15</td></tr> <tr><td>25D</td><td>CH0076AJ</td><td>PG15</td></tr> <tr><td>26D</td><td>CH0076AK</td><td>PG15</td></tr> <tr><td>27D</td><td>CH0076AL</td><td>PG15</td></tr> <tr><td>28D</td><td>CH0076AM</td><td>PG15</td></tr> <tr><td>29D</td><td>CH0076AN</td><td>PG15</td></tr> <tr><td>30D</td><td>CH0076AO</td><td>PG15</td></tr> <tr><td>31D</td><td>CH0076AP</td><td>PG15</td></tr> <tr><td>32D</td><td>CH0076AQ</td><td>PG15</td></tr> </table> <p>5X32D</p>	1D	CH0076H	PG15	2D	CH0076L	PG15	3D	CH0076R	PG15	4D	CH0076M	PG15	5D	CH0076N	PG15	6D	CH0076P	PG15	7D	CH0076Q	PG15	8D	CH0076S	PG15	9D	CH0076T	PG15	10D	CH0076U	PG15	11D	CH0076V	PG15	12D	CH0076W	PG15	13D	CH0076X	PG15	14D	CH0076Y	PG15	15D	CH0076Z	PG15	16D	CH0076AA	PG15	17D	CH0076AB	PG15	18D	CH0076AC	PG15	19D	CH0076AD	PG15	20D	CH0076AE	PG15	21D	CH0076AF	PG15	22D	CH0076AG	PG15	23D	CH0076AH	PG15	24D	CH0076AI	PG15	25D	CH0076AJ	PG15	26D	CH0076AK	PG15	27D	CH0076AL	PG15	28D	CH0076AM	PG15	29D	CH0076AN	PG15	30D	CH0076AO	PG15	31D	CH0076AP	PG15	32D	CH0076AQ	PG15	<p>J201 ROWE</p> <table border="1"> <tr><td>1E</td><td>CH0077H</td><td>PG15</td></tr> <tr><td>2E</td><td>CH0077L</td><td>PG15</td></tr> <tr><td>3E</td><td>CH0077R</td><td>PG15</td></tr> <tr><td>4E</td><td>CH0077M</td><td>PG15</td></tr> <tr><td>5E</td><td>CH0077N</td><td>PG15</td></tr> <tr><td>6E</td><td>CH0077P</td><td>PG15</td></tr> <tr><td>7E</td><td>CH0077Q</td><td>PG15</td></tr> <tr><td>8E</td><td>CH0077S</td><td>PG15</td></tr> <tr><td>9E</td><td>CH0077T</td><td>PG15</td></tr> <tr><td>10E</td><td>CH0077U</td><td>PG15</td></tr> <tr><td>11E</td><td>CH0077V</td><td>PG15</td></tr> <tr><td>12E</td><td>CH0077W</td><td>PG15</td></tr> <tr><td>13E</td><td>CH0077X</td><td>PG15</td></tr> <tr><td>14E</td><td>CH0077Y</td><td>PG15</td></tr> <tr><td>15E</td><td>CH0077Z</td><td>PG15</td></tr> <tr><td>16E</td><td>CH0077AA</td><td>PG15</td></tr> <tr><td>17E</td><td>CH0077AB</td><td>PG15</td></tr> <tr><td>18E</td><td>CH0077AC</td><td>PG15</td></tr> <tr><td>19E</td><td>CH0077AD</td><td>PG15</td></tr> <tr><td>20E</td><td>CH0077AE</td><td>PG15</td></tr> <tr><td>21E</td><td>CH0077AF</td><td>PG15</td></tr> <tr><td>22E</td><td>CH0077AG</td><td>PG15</td></tr> <tr><td>23E</td><td>CH0077AH</td><td>PG15</td></tr> <tr><td>24E</td><td>CH0077AI</td><td>PG15</td></tr> <tr><td>25E</td><td>CH0077AJ</td><td>PG15</td></tr> <tr><td>26E</td><td>CH0077AK</td><td>PG15</td></tr> <tr><td>27E</td><td>CH0077AL</td><td>PG15</td></tr> <tr><td>28E</td><td>CH0077AM</td><td>PG15</td></tr> <tr><td>29E</td><td>CH0077AN</td><td>PG15</td></tr> <tr><td>30E</td><td>CH0077AO</td><td>PG15</td></tr> <tr><td>31E</td><td>CH0077AP</td><td>PG15</td></tr> <tr><td>32E</td><td>CH0077AQ</td><td>PG15</td></tr> </table> <p>5X32E</p>	1E	CH0077H	PG15	2E	CH0077L	PG15	3E	CH0077R	PG15	4E	CH0077M	PG15	5E	CH0077N	PG15	6E	CH0077P	PG15	7E	CH0077Q	PG15	8E	CH0077S	PG15	9E	CH0077T	PG15	10E	CH0077U	PG15	11E	CH0077V	PG15	12E	CH0077W	PG15	13E	CH0077X	PG15	14E	CH0077Y	PG15	15E	CH0077Z	PG15	16E	CH0077AA	PG15	17E	CH0077AB	PG15	18E	CH0077AC	PG15	19E	CH0077AD	PG15	20E	CH0077AE	PG15	21E	CH0077AF	PG15	22E	CH0077AG	PG15	23E	CH0077AH	PG15	24E	CH0077AI	PG15	25E	CH0077AJ	PG15	26E	CH0077AK	PG15	27E	CH0077AL	PG15	28E	CH0077AM	PG15	29E	CH0077AN	PG15	30E	CH0077AO	PG15	31E	CH0077AP	PG15	32E	CH0077AQ	PG15	<p>J201 ROWF</p> <table border="1"> <tr><td>1F</td><td>CH0078H</td><td>PG15</td></tr> <tr><td>2F</td><td>CH0078L</td><td>PG15</td></tr> <tr><td>3F</td><td>CH0078R</td><td>PG15</td></tr> <tr><td>4F</td><td>CH0078M</td><td>PG15</td></tr> <tr><td>5F</td><td>CH0078N</td><td>PG15</td></tr> <tr><td>6F</td><td>CH0078P</td><td>PG15</td></tr> <tr><td>7F</td><td>CH0078Q</td><td>PG15</td></tr> <tr><td>8F</td><td>CH0078S</td><td>PG15</td></tr> <tr><td>9F</td><td>CH0078T</td><td>PG15</td></tr> <tr><td>10F</td><td>CH0078U</td><td>PG15</td></tr> <tr><td>11F</td><td>CH0078V</td><td>PG15</td></tr> <tr><td>12F</td><td>CH0078W</td><td>PG15</td></tr> <tr><td>13F</td><td>CH0078X</td><td>PG15</td></tr> <tr><td>14F</td><td>CH0078Y</td><td>PG15</td></tr> <tr><td>15F</td><td>CH0078Z</td><td>PG15</td></tr> <tr><td>16F</td><td>CH0078AA</td><td>PG15</td></tr> <tr><td>17F</td><td>CH0078AB</td><td>PG15</td></tr> <tr><td>18F</td><td>CH0078AC</td><td>PG15</td></tr> <tr><td>19F</td><td>CH0078AD</td><td>PG15</td></tr> <tr><td>20F</td><td>CH0078AE</td><td>PG15</td></tr> <tr><td>21F</td><td>CH0078AF</td><td>PG15</td></tr> <tr><td>22F</td><td>CH0078AG</td><td>PG15</td></tr> <tr><td>23F</td><td>CH0078AH</td><td>PG15</td></tr> <tr><td>24F</td><td>CH0078AI</td><td>PG15</td></tr> <tr><td>25F</td><td>CH0078AJ</td><td>PG15</td></tr> <tr><td>26F</td><td>CH0078AK</td><td>PG15</td></tr> <tr><td>27F</td><td>CH0078AL</td><td>PG15</td></tr> <tr><td>28F</td><td>CH0078AM</td><td>PG15</td></tr> <tr><td>29F</td><td>CH0078AN</td><td>PG15</td></tr> <tr><td>30F</td><td>CH0078AO</td><td>PG15</td></tr> <tr><td>31F</td><td>CH0078AP</td><td>PG15</td></tr> <tr><td>32F</td><td>CH0078AQ</td><td>PG15</td></tr> </table> <p>5X32F</p>	1F	CH0078H	PG15	2F	CH0078L	PG15	3F	CH0078R	PG15	4F	CH0078M	PG15	5F	CH0078N	PG15	6F	CH0078P	PG15	7F	CH0078Q	PG15	8F	CH0078S	PG15	9F	CH0078T	PG15	10F	CH0078U	PG15	11F	CH0078V	PG15	12F	CH0078W	PG15	13F	CH0078X	PG15	14F	CH0078Y	PG15	15F	CH0078Z	PG15	16F	CH0078AA	PG15	17F	CH0078AB	PG15	18F	CH0078AC	PG15	19F	CH0078AD	PG15	20F	CH0078AE	PG15	21F	CH0078AF	PG15	22F	CH0078AG	PG15	23F	CH0078AH	PG15	24F	CH0078AI	PG15	25F	CH0078AJ	PG15	26F	CH0078AK	PG15	27F	CH0078AL	PG15	28F	CH0078AM	PG15	29F	CH0078AN	PG15	30F	CH0078AO	PG15	31F	CH0078AP	PG15	32F	CH0078AQ	PG15	<p>J201 ROWG</p> <table border="1"> <tr><td>1G</td><td>CH0079H</td><td>PG15</td></tr> <tr><td>2G</td><td>CH0079L</td><td>PG15</td></tr> <tr><td>3G</td><td>CH0079R</td><td>PG15</td></tr> <tr><td>4G</td><td>CH0079M</td><td>PG15</td></tr> <tr><td>5G</td><td>CH0079N</td><td>PG15</td></tr> <tr><td>6G</td><td>CH0079P</td><td>PG15</td></tr> <tr><td>7G</td><td>CH0079Q</td><td>PG15</td></tr> <tr><td>8G</td><td>CH0079S</td><td>PG15</td></tr> <tr><td>9G</td><td>CH0079T</td><td>PG15</td></tr> <tr><td>10G</td><td>CH0079U</td><td>PG15</td></tr> <tr><td>11G</td><td>CH0079V</td><td>PG15</td></tr> <tr><td>12G</td><td>CH0079W</td><td>PG15</td></tr> <tr><td>13G</td><td>CH0079X</td><td>PG15</td></tr> <tr><td>14G</td><td>CH0079Y</td><td>PG15</td></tr> <tr><td>15G</td><td>CH0079Z</td><td>PG15</td></tr> <tr><td>16G</td><td>CH0079AA</td><td>PG15</td></tr> <tr><td>17G</td><td>CH0079AB</td><td>PG15</td></tr> <tr><td>18G</td><td>CH0079AC</td><td>PG15</td></tr> <tr><td>19G</td><td>CH0079AD</td><td>PG15</td></tr> <tr><td>20G</td><td>CH0079AE</td><td>PG15</td></tr> <tr><td>21G</td><td>CH0079AF</td><td>PG15</td></tr> <tr><td>22G</td><td>CH0079AG</td><td>PG15</td></tr> <tr><td>23G</td><td>CH0079AH</td><td>PG15</td></tr> <tr><td>24G</td><td>CH0079AI</td><td>PG15</td></tr> <tr><td>25G</td><td>CH0079AJ</td><td>PG15</td></tr> <tr><td>26G</td><td>CH0079AK</td><td>PG15</td></tr> <tr><td>27G</td><td>CH0079AL</td><td>PG15</td></tr> <tr><td>28G</td><td>CH0079AM</td><td>PG15</td></tr> <tr><td>29G</td><td>CH0079AN</td><td>PG15</td></tr> <tr><td>30G</td><td>CH0079AO</td><td>PG15</td></tr> <tr><td>31G</td><td>CH0079AP</td><td>PG15</td></tr> <tr><td>32G</td><td>CH0079AQ</td><td>PG15</td></tr> </table> <p>5X32G</p>	1G	CH0079H	PG15	2G	CH0079L	PG15	3G	CH0079R	PG15	4G	CH0079M	PG15	5G	CH0079N	PG15	6G	CH0079P	PG15	7G	CH0079Q	PG15	8G	CH0079S	PG15	9G	CH0079T	PG15	10G	CH0079U	PG15	11G	CH0079V	PG15	12G	CH0079W	PG15	13G	CH0079X	PG15	14G	CH0079Y	PG15	15G	CH0079Z	PG15	16G	CH0079AA	PG15	17G	CH0079AB	PG15	18G	CH0079AC	PG15	19G	CH0079AD	PG15	20G	CH0079AE	PG15	21G	CH0079AF	PG15	22G	CH0079AG	PG15	23G	CH0079AH	PG15	24G	CH0079AI	PG15	25G	CH0079AJ	PG15	26G	CH0079AK	PG15	27G	CH0079AL	PG15	28G	CH0079AM	PG15	29G	CH0079AN	PG15	30G	CH0079AO	PG15	31G	CH0079AP	PG15	32G	CH0079AQ	PG15	<p>J201 ROWH</p> <table border="1"> <tr><td>1H</td><td>CH0080H</td><td>PG15</td></tr> <tr><td>2H</td><td>CH0080L</td><td>PG15</td></tr> <tr><td>3H</td><td>CH0080R</td><td>PG15</td></tr> <tr><td>4H</td><td>CH0080M</td><td>PG15</td></tr> <tr><td>5H</td><td>CH0080N</td><td>PG15</td></tr> <tr><td>6H</td><td>CH0080P</td><td>PG15</td></tr> <tr><td>7H</td><td>CH0080Q</td><td>PG15</td></tr> <tr><td>8H</td><td>CH0080S</td><td>PG15</td></tr> <tr><td>9H</td><td>CH0080T</td><td>PG15</td></tr> <tr><td>10H</td><td>CH0080U</td><td>PG15</td></tr> <tr><td>11H</td><td>CH0080V</td><td>PG15</td></tr> <tr><td>12H</td><td>CH0080W</td><td>PG15</td></tr> <tr><td>13H</td><td>CH0080X</td><td>PG15</td></tr> <tr><td>14H</td><td>CH0080Y</td><td>PG15</td></tr> <tr><td>15H</td><td>CH0080Z</td><td>PG15</td></tr> <tr><td>16H</td><td>CH0080AA</td><td>PG15</td></tr> <tr><td>17H</td><td>CH0080AB</td><td>PG15</td></tr> <tr><td>18H</td><td>CH0080AC</td><td>PG15</td></tr> <tr><td>19H</td><td>CH0080AD</td><td>PG15</td></tr> <tr><td>20H</td><td>CH0080AE</td><td>PG15</td></tr> <tr><td>21H</td><td>CH0080AF</td><td>PG15</td></tr> <tr><td>22H</td><td>CH0080AG</td><td>PG15</td></tr> <tr><td>23H</td><td>CH0080AH</td><td>PG15</td></tr> <tr><td>24H</td><td>CH0080AI</td><td>PG15</td></tr> <tr><td>25H</td><td>CH0080AJ</td><td>PG15</td></tr> <tr><td>26H</td><td>CH0080AK</td><td>PG15</td></tr> <tr><td>27H</td><td>CH0080AL</td><td>PG15</td></tr> <tr><td>28H</td><td>CH0080AM</td><td>PG15</td></tr> <tr><td>29H</td><td>CH0080AN</td><td>PG15</td></tr> <tr><td>30H</td><td>CH0080AO</td><td>PG15</td></tr> <tr><td>31H</td><td>CH0080AP</td><td>PG15</td></tr> <tr><td>32H</td><td>CH0080AQ</td><td>PG15</td></tr> </table> <p>5X32H</p>	1H	CH0080H	PG15	2H	CH0080L	PG15	3H	CH0080R	PG15	4H	CH0080M	PG15	5H	CH0080N	PG15	6H	CH0080P	PG15	7H	CH0080Q	PG15	8H	CH0080S	PG15	9H	CH0080T	PG15	10H	CH0080U	PG15	11H	CH0080V	PG15	12H	CH0080W	PG15	13H	CH0080X	PG15	14H	CH0080Y	PG15	15H	CH0080Z	PG15	16H	CH0080AA	PG15	17H	CH0080AB	PG15	18H	CH0080AC	PG15	19H	CH0080AD	PG15	20H	CH0080AE	PG15	21H	CH0080AF	PG15	22H	CH0080AG	PG15	23H	CH0080AH	PG15	24H	CH0080AI	PG15	25H	CH0080AJ	PG15	26H	CH0080AK	PG15	27H	CH0080AL	PG15	28H	CH0080AM	PG15	29H	CH0080AN	PG15	30H	CH0080AO	PG15	31H	CH0080AP	PG15	32H	CH0080AQ	PG15	<p>J201 ROWI</p> <table border="1"> <tr><td>1I</td><td>CH0081H</td><td>PG15</td></tr> <tr><td>2I</td><td>CH0081L</td><td>PG15</td></tr> <tr><td>3I</td><td>CH0081R</td><td>PG15</td></tr> <tr><td>4I</td><td>CH0081M</td><td>PG15</td></tr> <tr><td>5I</td><td>CH0081N</td><td>PG15</td></tr> <tr><td>6I</td><td>CH0081P</td><td>PG15</td></tr> <tr><td>7I</td><td>CH0081Q</td><td>PG15</td></tr> <tr><td>8I</td><td>CH0081S</td><td>PG15</td></tr> <tr><td>9I</td><td>CH0081T</td><td>PG15</td></tr> <tr><td>10I</td><td>CH0081U</td><td>PG15</td></tr> <tr><td>11I</td><td>CH0081V</td><td>PG15</td></tr> <tr><td>12I</td><td>CH0081W</td><td>PG15</td></tr> <tr><td>13I</td><td>CH0081X</td><td>PG15</td></tr> <tr><td>14I</td><td>CH0081Y</td><td>PG15</td></tr> <tr><td>15I</td><td>CH0081Z</td><td>PG15</td></tr> <tr><td>16I</td><td>CH0081AA</td><td>PG15</td></tr> <tr><td>17I</td><td>CH0081AB</td><td>PG15</td></tr> <tr><td>18I</td><td>CH0081AC</td><td>PG15</td></tr> <tr><td>19I</td><td>CH0081AD</td><td>PG15</td></tr> <tr><td>20I</td><td>CH0081AE</td><td>PG15</td></tr> <tr><td>21I</td><td>CH0081AF</td><td>PG15</td></tr> <tr><td>22I</td><td>CH0081AG</td><td>PG15</td></tr> <tr><td>23I</td><td>CH0081AH</td><td>PG15</td></tr> <tr><td>24I</td><td>CH0081AI</td><td>PG15</td></tr> <tr><td>25I</td><td>CH0081AJ</td><td>PG15</td></tr> <tr><td>26I</td><td>CH0081AK</td><td>PG15</td></tr> <tr><td>27I</td><td>CH0081AL</td><td>PG15</td></tr> <tr><td>28I</td><td>CH0081AM</td><td>PG15</td></tr> <tr><td>29I</td><td>CH0081AN</td><td>PG15</td></tr> <tr><td>30I</td><td>CH0081AO</td><td>PG15</td></tr> <tr><td>31I</td><td>CH0081AP</td><td>PG15</td></tr> <tr><td>32I</td><td>CH0081AQ</td><td>PG15</td></tr> </table> <p>5X32I</p>	1I	CH0081H	PG15	2I	CH0081L	PG15	3I	CH0081R	PG15	4I	CH0081M	PG15	5I	CH0081N	PG15	6I	CH0081P	PG15	7I	CH0081Q	PG15	8I	CH0081S	PG15	9I	CH0081T	PG15	10I	CH0081U	PG15	11I	CH0081V	PG15	12I	CH0081W	PG15	13I	CH0081X	PG15	14I	CH0081Y	PG15	15I	CH0081Z	PG15	16I	CH0081AA	PG15	17I	CH0081AB	PG15	18I	CH0081AC	PG15	19I	CH0081AD	PG15	20I	CH0081AE	PG15	21I	CH0081AF	PG15	22I	CH0081AG	PG15	23I	CH0081AH	PG15	24I	CH0081AI	PG15	25I	CH0081AJ	PG15	26I	CH0081AK	PG15	27I	CH0081AL	PG15	28I	CH0081AM	PG15	29I	CH0081AN	PG15	30I	CH0081AO	PG15	31I	CH0081AP	PG15	32I	CH0081AQ	PG15	<p>J201 ROWJ</p> <table border="1"> <tr><td>1J</td><td>CH0082H</td><td>PG15</td></tr> <tr><td>2J</td><td>CH0082L</td><td>PG15</td></tr> <tr><td>3J</td><td>CH0082R</td><td>PG15</td></tr> <tr><td>4J</td><td>CH0082M</td><td>PG15</td></tr> <tr><td>5J</td><td>CH0082N</td><td>PG15</td></tr> <tr><td>6J</td><td>CH0082P</td><td>PG15</td></tr> <tr><td>7J</td><td>CH0082Q</td><td>PG15</td></tr> <tr><td>8J</td><td>CH0082S</td><td>PG15</td></tr> <tr><td>9J</td><td>CH0082T</td><td>PG15</td></tr> <tr><td>10J</td><td>CH0082U</td><td>PG15</td></tr> <tr><td>11J</td><td>CH0082V</td><td>PG15</td></tr> <tr><td>12J</td><td>CH0082W</td><td>PG15</td></tr> <tr><td>13J</td><td>CH0082X</td><td>PG15</td></tr> <tr><td>14J</td><td>CH0082Y</td><td>PG15</td></tr> <tr><td>15J</td><td>CH0082Z</td><td>PG15</td></tr> <tr><td>16J</td><td>CH0082AA</td><td>PG15</td></tr> <tr><td>17J</td><td>CH0082AB</td><td>PG15</td></tr> <tr><td>18J</td><td>CH0082AC</td><td>PG15</td></tr> <tr><td>19J</td><td>CH0082AD</td><td>PG15</td></tr> <tr><td>20J</td><td>CH0082AE</td><td>PG15</td></tr> <tr><td>21J</td><td>CH0082AF</td><td>PG15</td></tr> <tr><td>22J</td><td>CH0082AG</td><td>PG15</td></tr> <tr><td>23J</td><td>CH0082AH</td><td>PG15</td></tr> <tr><td>24J</td><td>CH0082AI</td><td>PG15</td></tr> <tr><td>25J</td><td>CH0082AJ</td><td>PG15</td></tr> <tr><td>26J</td><td>CH0082AK</td><td>PG15</td></tr> <tr><td>27J</td><td>CH0082AL</td><td>PG15</td></tr> <tr><td>28J</td><td>CH0082AM</td><td>PG15</td></tr> <tr><td>29J</td><td>CH0082AN</td><td>PG15</td></tr> <tr><td>30J</td><td>CH0082AO</td><td>PG15</td></tr> <tr><td>31J</td><td>CH0082AP</td><td>PG15</td></tr> <tr><td>32J</td><td>CH0082AQ</td><td>PG15</td></tr> </table> <p>5X32J</p>	1J	CH0082H	PG15	2J	CH0082L	PG15	3J	CH0082R	PG15	4J	CH0082M	PG15	5J	CH0082N	PG15	6J	CH0082P	PG15	7J	CH0082Q	PG15	8J	CH0082S	PG15	9J	CH0082T	PG15	10J	CH0082U	PG15	11J	CH0082V	PG15	12J	CH0082W	PG15	13J	CH0082X	PG15	14J	CH0082Y	PG15	15J	CH0082Z	PG15	16J	CH0082AA	PG15	17J	CH0082AB	PG15	18J	CH0082AC	PG15	19J	CH0082AD	PG15	20J	CH0082AE	PG15	21J	CH0082AF	PG15	22J	CH0082AG	PG15	23J	CH0082AH	PG15	24J	CH0082AI	PG15	25J	CH0082AJ	PG15	26J	CH0082AK	PG15	27J	CH0082AL	PG15	28J	CH0082AM	PG15	29J	CH0082AN	PG15	30J	CH0082AO	PG15	31J	CH0082AP	PG15	32J	CH0082AQ	PG15	<p>J201 ROWK</p> <table border="1"> <tr><td>1K</td><td>CH0083H</td><td>PG15</td></tr> <tr><td>2K</td><td>CH0083L</td><td>PG15</td></tr> <tr><td>3K</td><td>CH0083R</td><td>PG15</td></tr> <tr><td>4K</td><td>CH0083M</td><td>PG15</td></tr> <tr><td>5K</td><td>CH0083N</td><td>PG15</td></tr> <tr><td>6K</td><td>CH0083P</td><td>PG15</td></tr> <tr><td>7K</td><td>CH0083Q</td><td>PG15</td></tr> <tr><td>8K</td><td>CH0083S</td><td>PG15</td></tr> <tr><td>9K</td><td>CH0083T</td><td>PG15</td></tr> <tr><td>10K</td><td>CH0083U</td><td>PG15</td></tr> <tr><td>11K</td><td>CH0083V</td><td>PG15</td></tr> <tr><td>12K</td><td>CH0083W</td><td>PG15</td></tr> <tr><td>13K</td><td>CH0083X</td><td>PG15</td></tr> <tr><td>14K</td><td>CH0083Y</td><td>PG15</td></tr> <tr><td>15K</td><td>CH0083Z</td><td>PG15</td></tr> <tr><td>16K</td><td>CH0083AA</td><td>PG15</td></tr> <tr><td>17K</td><td>CH0083AB</td><td>PG15</td></tr> <tr><td>18K</td><td>CH0083AC</td><td>PG15</td></tr> <tr><td>19K</td><td>CH0083AD</td><td>PG15</td></tr> <tr><td>20K</td><td>CH0083AE</td><td>PG15</td></tr> <tr><td>21K</td><td>CH0083AF</td><td>PG15</td></tr> <tr><td>22K</td><td>CH0083AG</td><td>PG15</td></tr> <tr><td>23K</td><td>CH0083AH</td><td>PG15</td></tr> <tr><td>24K</td><td>CH0083AI</td><td>PG15</td></tr> <tr><td>25K</td><td>CH0083AJ</td><td>PG15</td></tr> <tr><td>26K</td><td>CH0083AK</td><td>PG15</td></tr> <tr><td>27K</td><td>CH0083AL</td><td>PG15</td></tr> <tr><td>28K</td><td>CH0083AM</td><td>PG15</td></tr> <tr><td>29K</td><td>CH0083AN</td><td>PG15</td></tr> <tr><td>30K</td><td>CH0083AO</td><td>PG15</td></tr> <tr><td>31K</td><td>CH0083AP</td><td>PG15</td></tr> <tr><td>32K</td><td>CH0083AQ</td><td>PG15</td></tr> </table> <p>5X32K</p>	1K	CH0083H	PG15	2K	CH0083L	PG15	3K	CH0083R	PG15	4K	CH0083M	PG15	5K	CH0083N	PG15	6K	CH0083P	PG15	7K	CH0083Q	PG15	8K	CH0083S	PG15	9K	CH0083T	PG15	10K	CH0083U	PG15	11K	CH0083V	PG15	12K	CH0083W	PG15	13K	CH0083X	PG15	14K	CH0083Y	PG15	15K	CH0083Z	PG15	16K	CH0083AA	PG15	17K	CH0083AB	PG15	18K	CH0083AC	PG15	19K	CH0083AD	PG15	20K	CH0083AE	PG15	21K	CH0083AF	PG15	22K	CH0083AG	PG15	23K	CH0083AH	PG15	24K	CH0083AI	PG15	25K	CH0083AJ	PG15	26K	CH0083AK	PG15	27K	CH0083AL	PG15	28K	CH0083AM	PG15	29K	CH0083AN	PG15	30K	CH0083AO	PG15	31K	CH0083AP	PG15	32K	CH0083AQ	PG15	<p>J201 ROWL</p> <table border="1"> <tr><td>1L</td><td>CH0084H</td><td>PG15</td></tr> <tr><td>2L</td><td>CH0084L</td><td>PG15</td></tr> <tr><td>3L</td><td>CH0084R</td><td>PG15</td></tr> <tr><td>4L</td><td>CH0084M</td><td>PG15</td></tr> <tr><td>5L</td><td>CH0084N</td><td>PG15</td></tr> <tr><td>6L</td><td>CH0084P</td><td>PG15</td></tr> <tr><td>7L</td><td>CH0084Q</td><td>PG15</td></tr> <tr><td>8L</td><td>CH0084S</td><td>PG15</td></tr> <tr><td>9L</td><td>CH0084T</td><td>PG15</td></tr> <tr><td>10L</td><td>CH0084U</td><td>PG15</td></tr> <tr><td>11L</td><td>CH0084V</td><td>PG15</td></tr> <tr><td>12L</td><td>CH0084W</td><td>PG15</td></tr> <tr><td>13L</td><td>CH0084X</td><td>PG15</td></tr> <tr><td>14L</td><td>CH0084Y</td><td>PG15</td></tr> <tr><td>15L</td><td>CH0084Z</td><td>PG15</td></tr> <tr><td>16L</td><td>CH0084AA</td><td>PG15</td></tr> <tr><td>17L</td><td>CH0084AB</td><td>PG15</td></tr> <tr><td>18L</td><td>CH0084AC</td><td>PG15</td></tr> <tr><td>19L</td><td>CH0084AD</td><td>PG15</td></tr> <tr><td>20L</td><td>CH0084AE</td><td>PG15</td></tr> <tr><td>21L</td><td>CH0084AF</td><td>PG15</td></tr> <tr><td>22L</td><td>CH0084AG</td><td>PG15</td></tr> <tr><td>23L</td><td>CH0084AH</td><td>PG15</td></tr> <tr><td>24L</td><td>CH0084AI</td><td></td></tr></table>	1L	CH0084H	PG15	2L	CH0084L	PG15	3L	CH0084R	PG15	4L	CH0084M	PG15	5L	CH0084N	PG15	6L	CH0084P	PG15	7L	CH0084Q	PG15	8L	CH0084S	PG15	9L	CH0084T	PG15	10L	CH0084U	PG15	11L	CH0084V	PG15	12L	CH0084W	PG15	13L	CH0084X	PG15	14L	CH0084Y	PG15	15L	CH0084Z	PG15	16L	CH0084AA	PG15	17L	CH0084AB	PG15	18L	CH0084AC	PG15	19L	CH0084AD	PG15	20L	CH0084AE	PG15	21L	CH0084AF	PG15	22L	CH0084AG	PG15	23L	CH0084AH	PG15	24L	CH0084AI	
1A	CH0074H	PG11																																																																																																																																																																																																																																																																																																																																																																																																																																																																																																																																																																																																																																																																																																																																																																																																																																																																																																																																																																																																																																																																																																																																																																																	
2A	CH0074L	PG11																																																																																																																																																																																																																																																																																																																																																																																																																																																																																																																																																																																																																																																																																																																																																																																																																																																																																																																																																																																																																																																																																																																																																																																	
3A	CH0074R	PG11																																																																																																																																																																																																																																																																																																																																																																																																																																																																																																																																																																																																																																																																																																																																																																																																																																																																																																																																																																																																																																																																																																																																																																																	
4A	CH0074M	PG11																																																																																																																																																																																																																																																																																																																																																																																																																																																																																																																																																																																																																																																																																																																																																																																																																																																																																																																																																																																																																																																																																																																																																																																	
5A	CH0074N	PG11																																																																																																																																																																																																																																																																																																																																																																																																																																																																																																																																																																																																																																																																																																																																																																																																																																																																																																																																																																																																																																																																																																																																																																																	
6A	CH0074P	PG11																																																																																																																																																																																																																																																																																																																																																																																																																																																																																																																																																																																																																																																																																																																																																																																																																																																																																																																																																																																																																																																																																																																																																																																	
7A	CH0074Q	PG11																																																																																																																																																																																																																																																																																																																																																																																																																																																																																																																																																																																																																																																																																																																																																																																																																																																																																																																																																																																																																																																																																																																																																																																	
8A	CH0074S	PG11																																																																																																																																																																																																																																																																																																																																																																																																																																																																																																																																																																																																																																																																																																																																																																																																																																																																																																																																																																																																																																																																																																																																																																																	
9A	CH0074T	PG11																																																																																																																																																																																																																																																																																																																																																																																																																																																																																																																																																																																																																																																																																																																																																																																																																																																																																																																																																																																																																																																																																																																																																																																	
10A	CH0074U	PG11																																																																																																																																																																																																																																																																																																																																																																																																																																																																																																																																																																																																																																																																																																																																																																																																																																																																																																																																																																																																																																																																																																																																																																																	
11A	CH0074V	PG11																																																																																																																																																																																																																																																																																																																																																																																																																																																																																																																																																																																																																																																																																																																																																																																																																																																																																																																																																																																																																																																																																																																																																																																	
12A	CH0074W	PG11																																																																																																																																																																																																																																																																																																																																																																																																																																																																																																																																																																																																																																																																																																																																																																																																																																																																																																																																																																																																																																																																																																																																																																																	
13A	CH0074X	PG11																																																																																																																																																																																																																																																																																																																																																																																																																																																																																																																																																																																																																																																																																																																																																																																																																																																																																																																																																																																																																																																																																																																																																																																	
14A	CH0074Y	PG11																																																																																																																																																																																																																																																																																																																																																																																																																																																																																																																																																																																																																																																																																																																																																																																																																																																																																																																																																																																																																																																																																																																																																																																	
15A	CH0074Z	PG11																																																																																																																																																																																																																																																																																																																																																																																																																																																																																																																																																																																																																																																																																																																																																																																																																																																																																																																																																																																																																																																																																																																																																																																	
16A	CH0074AA	PG11																																																																																																																																																																																																																																																																																																																																																																																																																																																																																																																																																																																																																																																																																																																																																																																																																																																																																																																																																																																																																																																																																																																																																																																	
17A	CH0074AB	PG11																																																																																																																																																																																																																																																																																																																																																																																																																																																																																																																																																																																																																																																																																																																																																																																																																																																																																																																																																																																																																																																																																																																																																																																	
18A	CH0074AC	PG11																																																																																																																																																																																																																																																																																																																																																																																																																																																																																																																																																																																																																																																																																																																																																																																																																																																																																																																																																																																																																																																																																																																																																																																	
19A	CH0074AD	PG11																																																																																																																																																																																																																																																																																																																																																																																																																																																																																																																																																																																																																																																																																																																																																																																																																																																																																																																																																																																																																																																																																																																																																																																	
20A	CH0074AE	PG11																																																																																																																																																																																																																																																																																																																																																																																																																																																																																																																																																																																																																																																																																																																																																																																																																																																																																																																																																																																																																																																																																																																																																																																	
21A	CH0074AF	PG11																																																																																																																																																																																																																																																																																																																																																																																																																																																																																																																																																																																																																																																																																																																																																																																																																																																																																																																																																																																																																																																																																																																																																																																	
22A	CH0074AG	PG11																																																																																																																																																																																																																																																																																																																																																																																																																																																																																																																																																																																																																																																																																																																																																																																																																																																																																																																																																																																																																																																																																																																																																																																	
23A	CH0074AH	PG11																																																																																																																																																																																																																																																																																																																																																																																																																																																																																																																																																																																																																																																																																																																																																																																																																																																																																																																																																																																																																																																																																																																																																																																	
24A	CH0074AI	PG11																																																																																																																																																																																																																																																																																																																																																																																																																																																																																																																																																																																																																																																																																																																																																																																																																																																																																																																																																																																																																																																																																																																																																																																	
25A	CH0074AJ	PG11																																																																																																																																																																																																																																																																																																																																																																																																																																																																																																																																																																																																																																																																																																																																																																																																																																																																																																																																																																																																																																																																																																																																																																																	
26A	CH0074AK	PG11																																																																																																																																																																																																																																																																																																																																																																																																																																																																																																																																																																																																																																																																																																																																																																																																																																																																																																																																																																																																																																																																																																																																																																																	
27A	CH0074AL	PG11																																																																																																																																																																																																																																																																																																																																																																																																																																																																																																																																																																																																																																																																																																																																																																																																																																																																																																																																																																																																																																																																																																																																																																																	
28A	CH0074AM	PG11																																																																																																																																																																																																																																																																																																																																																																																																																																																																																																																																																																																																																																																																																																																																																																																																																																																																																																																																																																																																																																																																																																																																																																																	
29A	CH0074AN	PG11																																																																																																																																																																																																																																																																																																																																																																																																																																																																																																																																																																																																																																																																																																																																																																																																																																																																																																																																																																																																																																																																																																																																																																																	
30A	CH0074AO	PG11																																																																																																																																																																																																																																																																																																																																																																																																																																																																																																																																																																																																																																																																																																																																																																																																																																																																																																																																																																																																																																																																																																																																																																																	
31A	CH0074AP	PG11																																																																																																																																																																																																																																																																																																																																																																																																																																																																																																																																																																																																																																																																																																																																																																																																																																																																																																																																																																																																																																																																																																																																																																																	
32A	CH0074AQ	PG11																																																																																																																																																																																																																																																																																																																																																																																																																																																																																																																																																																																																																																																																																																																																																																																																																																																																																																																																																																																																																																																																																																																																																																																	
1B	CH0075H	PG15																																																																																																																																																																																																																																																																																																																																																																																																																																																																																																																																																																																																																																																																																																																																																																																																																																																																																																																																																																																																																																																																																																																																																																																	
2B	CH0075L	PG15																																																																																																																																																																																																																																																																																																																																																																																																																																																																																																																																																																																																																																																																																																																																																																																																																																																																																																																																																																																																																																																																																																																																																																																	
3B	CH0075R	PG15																																																																																																																																																																																																																																																																																																																																																																																																																																																																																																																																																																																																																																																																																																																																																																																																																																																																																																																																																																																																																																																																																																																																																																																	
4B	CH0075M	PG15																																																																																																																																																																																																																																																																																																																																																																																																																																																																																																																																																																																																																																																																																																																																																																																																																																																																																																																																																																																																																																																																																																																																																																																	
5B	CH0075N	PG15																																																																																																																																																																																																																																																																																																																																																																																																																																																																																																																																																																																																																																																																																																																																																																																																																																																																																																																																																																																																																																																																																																																																																																																	
6B	CH0075P	PG15																																																																																																																																																																																																																																																																																																																																																																																																																																																																																																																																																																																																																																																																																																																																																																																																																																																																																																																																																																																																																																																																																																																																																																																	
7B	CH0075Q	PG15																																																																																																																																																																																																																																																																																																																																																																																																																																																																																																																																																																																																																																																																																																																																																																																																																																																																																																																																																																																																																																																																																																																																																																																	
8B	CH0075S	PG15																																																																																																																																																																																																																																																																																																																																																																																																																																																																																																																																																																																																																																																																																																																																																																																																																																																																																																																																																																																																																																																																																																																																																																																	
9B	CH0075T	PG15																																																																																																																																																																																																																																																																																																																																																																																																																																																																																																																																																																																																																																																																																																																																																																																																																																																																																																																																																																																																																																																																																																																																																																																	
10B	CH0075U	PG15																																																																																																																																																																																																																																																																																																																																																																																																																																																																																																																																																																																																																																																																																																																																																																																																																																																																																																																																																																																																																																																																																																																																																																																	
11B	CH0075V	PG15																																																																																																																																																																																																																																																																																																																																																																																																																																																																																																																																																																																																																																																																																																																																																																																																																																																																																																																																																																																																																																																																																																																																																																																	
12B	CH0075W	PG15																																																																																																																																																																																																																																																																																																																																																																																																																																																																																																																																																																																																																																																																																																																																																																																																																																																																																																																																																																																																																																																																																																																																																																																	
13B	CH0075X	PG15																																																																																																																																																																																																																																																																																																																																																																																																																																																																																																																																																																																																																																																																																																																																																																																																																																																																																																																																																																																																																																																																																																																																																																																	
14B	CH0075Y	PG15																																																																																																																																																																																																																																																																																																																																																																																																																																																																																																																																																																																																																																																																																																																																																																																																																																																																																																																																																																																																																																																																																																																																																																																	
15B	CH0075Z	PG15																																																																																																																																																																																																																																																																																																																																																																																																																																																																																																																																																																																																																																																																																																																																																																																																																																																																																																																																																																																																																																																																																																																																																																																	
16B	CH0075AA	PG15																																																																																																																																																																																																																																																																																																																																																																																																																																																																																																																																																																																																																																																																																																																																																																																																																																																																																																																																																																																																																																																																																																																																																																																	
17B	CH0075AB	PG15																																																																																																																																																																																																																																																																																																																																																																																																																																																																																																																																																																																																																																																																																																																																																																																																																																																																																																																																																																																																																																																																																																																																																																																	
18B	CH0075AC	PG15																																																																																																																																																																																																																																																																																																																																																																																																																																																																																																																																																																																																																																																																																																																																																																																																																																																																																																																																																																																																																																																																																																																																																																																	
19B	CH0075AD	PG15																																																																																																																																																																																																																																																																																																																																																																																																																																																																																																																																																																																																																																																																																																																																																																																																																																																																																																																																																																																																																																																																																																																																																																																	
20B	CH0075AE	PG15																																																																																																																																																																																																																																																																																																																																																																																																																																																																																																																																																																																																																																																																																																																																																																																																																																																																																																																																																																																																																																																																																																																																																																																	
21B	CH0075AF	PG15																																																																																																																																																																																																																																																																																																																																																																																																																																																																																																																																																																																																																																																																																																																																																																																																																																																																																																																																																																																																																																																																																																																																																																																	
22B	CH0075AG	PG15																																																																																																																																																																																																																																																																																																																																																																																																																																																																																																																																																																																																																																																																																																																																																																																																																																																																																																																																																																																																																																																																																																																																																																																	
23B	CH0075AH	PG15																																																																																																																																																																																																																																																																																																																																																																																																																																																																																																																																																																																																																																																																																																																																																																																																																																																																																																																																																																																																																																																																																																																																																																																	
24B	CH0075AI	PG15																																																																																																																																																																																																																																																																																																																																																																																																																																																																																																																																																																																																																																																																																																																																																																																																																																																																																																																																																																																																																																																																																																																																																																																	
25B	CH0075AJ	PG15																																																																																																																																																																																																																																																																																																																																																																																																																																																																																																																																																																																																																																																																																																																																																																																																																																																																																																																																																																																																																																																																																																																																																																																	
26B	CH0075AK	PG15																																																																																																																																																																																																																																																																																																																																																																																																																																																																																																																																																																																																																																																																																																																																																																																																																																																																																																																																																																																																																																																																																																																																																																																	
27B	CH0075AL	PG15																																																																																																																																																																																																																																																																																																																																																																																																																																																																																																																																																																																																																																																																																																																																																																																																																																																																																																																																																																																																																																																																																																																																																																																	
28B	CH0075AM	PG15																																																																																																																																																																																																																																																																																																																																																																																																																																																																																																																																																																																																																																																																																																																																																																																																																																																																																																																																																																																																																																																																																																																																																																																	
29B	CH0075AN	PG15																																																																																																																																																																																																																																																																																																																																																																																																																																																																																																																																																																																																																																																																																																																																																																																																																																																																																																																																																																																																																																																																																																																																																																																	
30B	CH0075AO	PG15																																																																																																																																																																																																																																																																																																																																																																																																																																																																																																																																																																																																																																																																																																																																																																																																																																																																																																																																																																																																																																																																																																																																																																																	
31B	CH0075AP	PG15																																																																																																																																																																																																																																																																																																																																																																																																																																																																																																																																																																																																																																																																																																																																																																																																																																																																																																																																																																																																																																																																																																																																																																																	
32B	CH0075AQ	PG15																																																																																																																																																																																																																																																																																																																																																																																																																																																																																																																																																																																																																																																																																																																																																																																																																																																																																																																																																																																																																																																																																																																																																																																	
1C	COM07H	PG15																																																																																																																																																																																																																																																																																																																																																																																																																																																																																																																																																																																																																																																																																																																																																																																																																																																																																																																																																																																																																																																																																																																																																																																	
2C	COM07L	PG15																																																																																																																																																																																																																																																																																																																																																																																																																																																																																																																																																																																																																																																																																																																																																																																																																																																																																																																																																																																																																																																																																																																																																																																	
3C	COM07R	PG15																																																																																																																																																																																																																																																																																																																																																																																																																																																																																																																																																																																																																																																																																																																																																																																																																																																																																																																																																																																																																																																																																																																																																																																	
4C	COM07M	PG15																																																																																																																																																																																																																																																																																																																																																																																																																																																																																																																																																																																																																																																																																																																																																																																																																																																																																																																																																																																																																																																																																																																																																																																	
5C	COM07N	PG15																																																																																																																																																																																																																																																																																																																																																																																																																																																																																																																																																																																																																																																																																																																																																																																																																																																																																																																																																																																																																																																																																																																																																																																	
6C	COM07P	PG15																																																																																																																																																																																																																																																																																																																																																																																																																																																																																																																																																																																																																																																																																																																																																																																																																																																																																																																																																																																																																																																																																																																																																																																	
7C	COM07Q	PG15																																																																																																																																																																																																																																																																																																																																																																																																																																																																																																																																																																																																																																																																																																																																																																																																																																																																																																																																																																																																																																																																																																																																																																																	
8C	COM07S	PG15																																																																																																																																																																																																																																																																																																																																																																																																																																																																																																																																																																																																																																																																																																																																																																																																																																																																																																																																																																																																																																																																																																																																																																																	
9C	COM07T	PG15																																																																																																																																																																																																																																																																																																																																																																																																																																																																																																																																																																																																																																																																																																																																																																																																																																																																																																																																																																																																																																																																																																																																																																																	
10C	COM07U	PG15																																																																																																																																																																																																																																																																																																																																																																																																																																																																																																																																																																																																																																																																																																																																																																																																																																																																																																																																																																																																																																																																																																																																																																																	
11C	COM07V	PG15																																																																																																																																																																																																																																																																																																																																																																																																																																																																																																																																																																																																																																																																																																																																																																																																																																																																																																																																																																																																																																																																																																																																																																																	
12C	COM07W	PG15																																																																																																																																																																																																																																																																																																																																																																																																																																																																																																																																																																																																																																																																																																																																																																																																																																																																																																																																																																																																																																																																																																																																																																																	
13C	COM07X	PG15																																																																																																																																																																																																																																																																																																																																																																																																																																																																																																																																																																																																																																																																																																																																																																																																																																																																																																																																																																																																																																																																																																																																																																																	
14C	COM07Y	PG15																																																																																																																																																																																																																																																																																																																																																																																																																																																																																																																																																																																																																																																																																																																																																																																																																																																																																																																																																																																																																																																																																																																																																																																	
15C	COM07Z	PG15																																																																																																																																																																																																																																																																																																																																																																																																																																																																																																																																																																																																																																																																																																																																																																																																																																																																																																																																																																																																																																																																																																																																																																																	
16C	COM07AA	PG15																																																																																																																																																																																																																																																																																																																																																																																																																																																																																																																																																																																																																																																																																																																																																																																																																																																																																																																																																																																																																																																																																																																																																																																	
17C	COM07AB	PG15																																																																																																																																																																																																																																																																																																																																																																																																																																																																																																																																																																																																																																																																																																																																																																																																																																																																																																																																																																																																																																																																																																																																																																																	
18C	COM07AC	PG15																																																																																																																																																																																																																																																																																																																																																																																																																																																																																																																																																																																																																																																																																																																																																																																																																																																																																																																																																																																																																																																																																																																																																																																	
19C	COM07AD	PG15																																																																																																																																																																																																																																																																																																																																																																																																																																																																																																																																																																																																																																																																																																																																																																																																																																																																																																																																																																																																																																																																																																																																																																																	
20C	COM07AE	PG15																																																																																																																																																																																																																																																																																																																																																																																																																																																																																																																																																																																																																																																																																																																																																																																																																																																																																																																																																																																																																																																																																																																																																																																	
21C	COM07AF	PG15																																																																																																																																																																																																																																																																																																																																																																																																																																																																																																																																																																																																																																																																																																																																																																																																																																																																																																																																																																																																																																																																																																																																																																																	
22C	COM07AG	PG15																																																																																																																																																																																																																																																																																																																																																																																																																																																																																																																																																																																																																																																																																																																																																																																																																																																																																																																																																																																																																																																																																																																																																																																	
23C	COM07AH	PG15																																																																																																																																																																																																																																																																																																																																																																																																																																																																																																																																																																																																																																																																																																																																																																																																																																																																																																																																																																																																																																																																																																																																																																																	
24C	COM07AI	PG15																																																																																																																																																																																																																																																																																																																																																																																																																																																																																																																																																																																																																																																																																																																																																																																																																																																																																																																																																																																																																																																																																																																																																																																	
25C	COM07AJ	PG15																																																																																																																																																																																																																																																																																																																																																																																																																																																																																																																																																																																																																																																																																																																																																																																																																																																																																																																																																																																																																																																																																																																																																																																	
26C	COM07AK	PG15																																																																																																																																																																																																																																																																																																																																																																																																																																																																																																																																																																																																																																																																																																																																																																																																																																																																																																																																																																																																																																																																																																																																																																																	
27C	COM07AL	PG15																																																																																																																																																																																																																																																																																																																																																																																																																																																																																																																																																																																																																																																																																																																																																																																																																																																																																																																																																																																																																																																																																																																																																																																	
28C	COM07AM	PG15																																																																																																																																																																																																																																																																																																																																																																																																																																																																																																																																																																																																																																																																																																																																																																																																																																																																																																																																																																																																																																																																																																																																																																																	
29C	COM07AN	PG15																																																																																																																																																																																																																																																																																																																																																																																																																																																																																																																																																																																																																																																																																																																																																																																																																																																																																																																																																																																																																																																																																																																																																																																	
30C	COM07AO	PG15																																																																																																																																																																																																																																																																																																																																																																																																																																																																																																																																																																																																																																																																																																																																																																																																																																																																																																																																																																																																																																																																																																																																																																																	
31C	COM07AP	PG15																																																																																																																																																																																																																																																																																																																																																																																																																																																																																																																																																																																																																																																																																																																																																																																																																																																																																																																																																																																																																																																																																																																																																																																	
32C	COM07AQ	PG15																																																																																																																																																																																																																																																																																																																																																																																																																																																																																																																																																																																																																																																																																																																																																																																																																																																																																																																																																																																																																																																																																																																																																																																	
1D	CH0076H	PG15																																																																																																																																																																																																																																																																																																																																																																																																																																																																																																																																																																																																																																																																																																																																																																																																																																																																																																																																																																																																																																																																																																																																																																																	
2D	CH0076L	PG15																																																																																																																																																																																																																																																																																																																																																																																																																																																																																																																																																																																																																																																																																																																																																																																																																																																																																																																																																																																																																																																																																																																																																																																	
3D	CH0076R	PG15																																																																																																																																																																																																																																																																																																																																																																																																																																																																																																																																																																																																																																																																																																																																																																																																																																																																																																																																																																																																																																																																																																																																																																																	
4D	CH0076M	PG15																																																																																																																																																																																																																																																																																																																																																																																																																																																																																																																																																																																																																																																																																																																																																																																																																																																																																																																																																																																																																																																																																																																																																																																	
5D	CH0076N	PG15																																																																																																																																																																																																																																																																																																																																																																																																																																																																																																																																																																																																																																																																																																																																																																																																																																																																																																																																																																																																																																																																																																																																																																																	
6D	CH0076P	PG15																																																																																																																																																																																																																																																																																																																																																																																																																																																																																																																																																																																																																																																																																																																																																																																																																																																																																																																																																																																																																																																																																																																																																																																	
7D	CH0076Q	PG15																																																																																																																																																																																																																																																																																																																																																																																																																																																																																																																																																																																																																																																																																																																																																																																																																																																																																																																																																																																																																																																																																																																																																																																	
8D	CH0076S	PG15																																																																																																																																																																																																																																																																																																																																																																																																																																																																																																																																																																																																																																																																																																																																																																																																																																																																																																																																																																																																																																																																																																																																																																																	
9D	CH0076T	PG15																																																																																																																																																																																																																																																																																																																																																																																																																																																																																																																																																																																																																																																																																																																																																																																																																																																																																																																																																																																																																																																																																																																																																																																	
10D	CH0076U	PG15																																																																																																																																																																																																																																																																																																																																																																																																																																																																																																																																																																																																																																																																																																																																																																																																																																																																																																																																																																																																																																																																																																																																																																																	
11D	CH0076V	PG15																																																																																																																																																																																																																																																																																																																																																																																																																																																																																																																																																																																																																																																																																																																																																																																																																																																																																																																																																																																																																																																																																																																																																																																	
12D	CH0076W	PG15																																																																																																																																																																																																																																																																																																																																																																																																																																																																																																																																																																																																																																																																																																																																																																																																																																																																																																																																																																																																																																																																																																																																																																																	
13D	CH0076X	PG15																																																																																																																																																																																																																																																																																																																																																																																																																																																																																																																																																																																																																																																																																																																																																																																																																																																																																																																																																																																																																																																																																																																																																																																	
14D	CH0076Y	PG15																																																																																																																																																																																																																																																																																																																																																																																																																																																																																																																																																																																																																																																																																																																																																																																																																																																																																																																																																																																																																																																																																																																																																																																	
15D	CH0076Z	PG15																																																																																																																																																																																																																																																																																																																																																																																																																																																																																																																																																																																																																																																																																																																																																																																																																																																																																																																																																																																																																																																																																																																																																																																	
16D	CH0076AA	PG15																																																																																																																																																																																																																																																																																																																																																																																																																																																																																																																																																																																																																																																																																																																																																																																																																																																																																																																																																																																																																																																																																																																																																																																	
17D	CH0076AB	PG15																																																																																																																																																																																																																																																																																																																																																																																																																																																																																																																																																																																																																																																																																																																																																																																																																																																																																																																																																																																																																																																																																																																																																																																	
18D	CH0076AC	PG15																																																																																																																																																																																																																																																																																																																																																																																																																																																																																																																																																																																																																																																																																																																																																																																																																																																																																																																																																																																																																																																																																																																																																																																	
19D	CH0076AD	PG15																																																																																																																																																																																																																																																																																																																																																																																																																																																																																																																																																																																																																																																																																																																																																																																																																																																																																																																																																																																																																																																																																																																																																																																	
20D	CH0076AE	PG15																																																																																																																																																																																																																																																																																																																																																																																																																																																																																																																																																																																																																																																																																																																																																																																																																																																																																																																																																																																																																																																																																																																																																																																	
21D	CH0076AF	PG15																																																																																																																																																																																																																																																																																																																																																																																																																																																																																																																																																																																																																																																																																																																																																																																																																																																																																																																																																																																																																																																																																																																																																																																	
22D	CH0076AG	PG15																																																																																																																																																																																																																																																																																																																																																																																																																																																																																																																																																																																																																																																																																																																																																																																																																																																																																																																																																																																																																																																																																																																																																																																	
23D	CH0076AH	PG15																																																																																																																																																																																																																																																																																																																																																																																																																																																																																																																																																																																																																																																																																																																																																																																																																																																																																																																																																																																																																																																																																																																																																																																	
24D	CH0076AI	PG15																																																																																																																																																																																																																																																																																																																																																																																																																																																																																																																																																																																																																																																																																																																																																																																																																																																																																																																																																																																																																																																																																																																																																																																	
25D	CH0076AJ	PG15																																																																																																																																																																																																																																																																																																																																																																																																																																																																																																																																																																																																																																																																																																																																																																																																																																																																																																																																																																																																																																																																																																																																																																																	
26D	CH0076AK	PG15																																																																																																																																																																																																																																																																																																																																																																																																																																																																																																																																																																																																																																																																																																																																																																																																																																																																																																																																																																																																																																																																																																																																																																																	
27D	CH0076AL	PG15																																																																																																																																																																																																																																																																																																																																																																																																																																																																																																																																																																																																																																																																																																																																																																																																																																																																																																																																																																																																																																																																																																																																																																																	
28D	CH0076AM	PG15																																																																																																																																																																																																																																																																																																																																																																																																																																																																																																																																																																																																																																																																																																																																																																																																																																																																																																																																																																																																																																																																																																																																																																																	
29D	CH0076AN	PG15																																																																																																																																																																																																																																																																																																																																																																																																																																																																																																																																																																																																																																																																																																																																																																																																																																																																																																																																																																																																																																																																																																																																																																																	
30D	CH0076AO	PG15																																																																																																																																																																																																																																																																																																																																																																																																																																																																																																																																																																																																																																																																																																																																																																																																																																																																																																																																																																																																																																																																																																																																																																																	
31D	CH0076AP	PG15																																																																																																																																																																																																																																																																																																																																																																																																																																																																																																																																																																																																																																																																																																																																																																																																																																																																																																																																																																																																																																																																																																																																																																																	
32D	CH0076AQ	PG15																																																																																																																																																																																																																																																																																																																																																																																																																																																																																																																																																																																																																																																																																																																																																																																																																																																																																																																																																																																																																																																																																																																																																																																	
1E	CH0077H	PG15																																																																																																																																																																																																																																																																																																																																																																																																																																																																																																																																																																																																																																																																																																																																																																																																																																																																																																																																																																																																																																																																																																																																																																																	
2E	CH0077L	PG15																																																																																																																																																																																																																																																																																																																																																																																																																																																																																																																																																																																																																																																																																																																																																																																																																																																																																																																																																																																																																																																																																																																																																																																	
3E	CH0077R	PG15																																																																																																																																																																																																																																																																																																																																																																																																																																																																																																																																																																																																																																																																																																																																																																																																																																																																																																																																																																																																																																																																																																																																																																																	
4E	CH0077M	PG15																																																																																																																																																																																																																																																																																																																																																																																																																																																																																																																																																																																																																																																																																																																																																																																																																																																																																																																																																																																																																																																																																																																																																																																	
5E	CH0077N	PG15																																																																																																																																																																																																																																																																																																																																																																																																																																																																																																																																																																																																																																																																																																																																																																																																																																																																																																																																																																																																																																																																																																																																																																																	
6E	CH0077P	PG15																																																																																																																																																																																																																																																																																																																																																																																																																																																																																																																																																																																																																																																																																																																																																																																																																																																																																																																																																																																																																																																																																																																																																																																	
7E	CH0077Q	PG15																																																																																																																																																																																																																																																																																																																																																																																																																																																																																																																																																																																																																																																																																																																																																																																																																																																																																																																																																																																																																																																																																																																																																																																	
8E	CH0077S	PG15																																																																																																																																																																																																																																																																																																																																																																																																																																																																																																																																																																																																																																																																																																																																																																																																																																																																																																																																																																																																																																																																																																																																																																																	
9E	CH0077T	PG15																																																																																																																																																																																																																																																																																																																																																																																																																																																																																																																																																																																																																																																																																																																																																																																																																																																																																																																																																																																																																																																																																																																																																																																	
10E	CH0077U	PG15																																																																																																																																																																																																																																																																																																																																																																																																																																																																																																																																																																																																																																																																																																																																																																																																																																																																																																																																																																																																																																																																																																																																																																																	
11E	CH0077V	PG15																																																																																																																																																																																																																																																																																																																																																																																																																																																																																																																																																																																																																																																																																																																																																																																																																																																																																																																																																																																																																																																																																																																																																																																	
12E	CH0077W	PG15																																																																																																																																																																																																																																																																																																																																																																																																																																																																																																																																																																																																																																																																																																																																																																																																																																																																																																																																																																																																																																																																																																																																																																																	
13E	CH0077X	PG15																																																																																																																																																																																																																																																																																																																																																																																																																																																																																																																																																																																																																																																																																																																																																																																																																																																																																																																																																																																																																																																																																																																																																																																	
14E	CH0077Y	PG15																																																																																																																																																																																																																																																																																																																																																																																																																																																																																																																																																																																																																																																																																																																																																																																																																																																																																																																																																																																																																																																																																																																																																																																	
15E	CH0077Z	PG15																																																																																																																																																																																																																																																																																																																																																																																																																																																																																																																																																																																																																																																																																																																																																																																																																																																																																																																																																																																																																																																																																																																																																																																	
16E	CH0077AA	PG15																																																																																																																																																																																																																																																																																																																																																																																																																																																																																																																																																																																																																																																																																																																																																																																																																																																																																																																																																																																																																																																																																																																																																																																	
17E	CH0077AB	PG15																																																																																																																																																																																																																																																																																																																																																																																																																																																																																																																																																																																																																																																																																																																																																																																																																																																																																																																																																																																																																																																																																																																																																																																	
18E	CH0077AC	PG15																																																																																																																																																																																																																																																																																																																																																																																																																																																																																																																																																																																																																																																																																																																																																																																																																																																																																																																																																																																																																																																																																																																																																																																	
19E	CH0077AD	PG15																																																																																																																																																																																																																																																																																																																																																																																																																																																																																																																																																																																																																																																																																																																																																																																																																																																																																																																																																																																																																																																																																																																																																																																	
20E	CH0077AE	PG15																																																																																																																																																																																																																																																																																																																																																																																																																																																																																																																																																																																																																																																																																																																																																																																																																																																																																																																																																																																																																																																																																																																																																																																	
21E	CH0077AF	PG15																																																																																																																																																																																																																																																																																																																																																																																																																																																																																																																																																																																																																																																																																																																																																																																																																																																																																																																																																																																																																																																																																																																																																																																	
22E	CH0077AG	PG15																																																																																																																																																																																																																																																																																																																																																																																																																																																																																																																																																																																																																																																																																																																																																																																																																																																																																																																																																																																																																																																																																																																																																																																	
23E	CH0077AH	PG15																																																																																																																																																																																																																																																																																																																																																																																																																																																																																																																																																																																																																																																																																																																																																																																																																																																																																																																																																																																																																																																																																																																																																																																	
24E	CH0077AI	PG15																																																																																																																																																																																																																																																																																																																																																																																																																																																																																																																																																																																																																																																																																																																																																																																																																																																																																																																																																																																																																																																																																																																																																																																	
25E	CH0077AJ	PG15																																																																																																																																																																																																																																																																																																																																																																																																																																																																																																																																																																																																																																																																																																																																																																																																																																																																																																																																																																																																																																																																																																																																																																																	
26E	CH0077AK	PG15																																																																																																																																																																																																																																																																																																																																																																																																																																																																																																																																																																																																																																																																																																																																																																																																																																																																																																																																																																																																																																																																																																																																																																																	
27E	CH0077AL	PG15																																																																																																																																																																																																																																																																																																																																																																																																																																																																																																																																																																																																																																																																																																																																																																																																																																																																																																																																																																																																																																																																																																																																																																																	
28E	CH0077AM	PG15																																																																																																																																																																																																																																																																																																																																																																																																																																																																																																																																																																																																																																																																																																																																																																																																																																																																																																																																																																																																																																																																																																																																																																																	
29E	CH0077AN	PG15																																																																																																																																																																																																																																																																																																																																																																																																																																																																																																																																																																																																																																																																																																																																																																																																																																																																																																																																																																																																																																																																																																																																																																																	
30E	CH0077AO	PG15																																																																																																																																																																																																																																																																																																																																																																																																																																																																																																																																																																																																																																																																																																																																																																																																																																																																																																																																																																																																																																																																																																																																																																																	
31E	CH0077AP	PG15																																																																																																																																																																																																																																																																																																																																																																																																																																																																																																																																																																																																																																																																																																																																																																																																																																																																																																																																																																																																																																																																																																																																																																																	
32E	CH0077AQ	PG15																																																																																																																																																																																																																																																																																																																																																																																																																																																																																																																																																																																																																																																																																																																																																																																																																																																																																																																																																																																																																																																																																																																																																																																	
1F	CH0078H	PG15																																																																																																																																																																																																																																																																																																																																																																																																																																																																																																																																																																																																																																																																																																																																																																																																																																																																																																																																																																																																																																																																																																																																																																																	
2F	CH0078L	PG15																																																																																																																																																																																																																																																																																																																																																																																																																																																																																																																																																																																																																																																																																																																																																																																																																																																																																																																																																																																																																																																																																																																																																																																	
3F	CH0078R	PG15																																																																																																																																																																																																																																																																																																																																																																																																																																																																																																																																																																																																																																																																																																																																																																																																																																																																																																																																																																																																																																																																																																																																																																																	
4F	CH0078M	PG15																																																																																																																																																																																																																																																																																																																																																																																																																																																																																																																																																																																																																																																																																																																																																																																																																																																																																																																																																																																																																																																																																																																																																																																	
5F	CH0078N	PG15																																																																																																																																																																																																																																																																																																																																																																																																																																																																																																																																																																																																																																																																																																																																																																																																																																																																																																																																																																																																																																																																																																																																																																																	
6F	CH0078P	PG15																																																																																																																																																																																																																																																																																																																																																																																																																																																																																																																																																																																																																																																																																																																																																																																																																																																																																																																																																																																																																																																																																																																																																																																	
7F	CH0078Q	PG15																																																																																																																																																																																																																																																																																																																																																																																																																																																																																																																																																																																																																																																																																																																																																																																																																																																																																																																																																																																																																																																																																																																																																																																	
8F	CH0078S	PG15																																																																																																																																																																																																																																																																																																																																																																																																																																																																																																																																																																																																																																																																																																																																																																																																																																																																																																																																																																																																																																																																																																																																																																																	
9F	CH0078T	PG15																																																																																																																																																																																																																																																																																																																																																																																																																																																																																																																																																																																																																																																																																																																																																																																																																																																																																																																																																																																																																																																																																																																																																																																	
10F	CH0078U	PG15																																																																																																																																																																																																																																																																																																																																																																																																																																																																																																																																																																																																																																																																																																																																																																																																																																																																																																																																																																																																																																																																																																																																																																																	
11F	CH0078V	PG15																																																																																																																																																																																																																																																																																																																																																																																																																																																																																																																																																																																																																																																																																																																																																																																																																																																																																																																																																																																																																																																																																																																																																																																	
12F	CH0078W	PG15																																																																																																																																																																																																																																																																																																																																																																																																																																																																																																																																																																																																																																																																																																																																																																																																																																																																																																																																																																																																																																																																																																																																																																																	
13F	CH0078X	PG15																																																																																																																																																																																																																																																																																																																																																																																																																																																																																																																																																																																																																																																																																																																																																																																																																																																																																																																																																																																																																																																																																																																																																																																	
14F	CH0078Y	PG15																																																																																																																																																																																																																																																																																																																																																																																																																																																																																																																																																																																																																																																																																																																																																																																																																																																																																																																																																																																																																																																																																																																																																																																	
15F	CH0078Z	PG15																																																																																																																																																																																																																																																																																																																																																																																																																																																																																																																																																																																																																																																																																																																																																																																																																																																																																																																																																																																																																																																																																																																																																																																	
16F	CH0078AA	PG15																																																																																																																																																																																																																																																																																																																																																																																																																																																																																																																																																																																																																																																																																																																																																																																																																																																																																																																																																																																																																																																																																																																																																																																	
17F	CH0078AB	PG15																																																																																																																																																																																																																																																																																																																																																																																																																																																																																																																																																																																																																																																																																																																																																																																																																																																																																																																																																																																																																																																																																																																																																																																	
18F	CH0078AC	PG15																																																																																																																																																																																																																																																																																																																																																																																																																																																																																																																																																																																																																																																																																																																																																																																																																																																																																																																																																																																																																																																																																																																																																																																	
19F	CH0078AD	PG15																																																																																																																																																																																																																																																																																																																																																																																																																																																																																																																																																																																																																																																																																																																																																																																																																																																																																																																																																																																																																																																																																																																																																																																	
20F	CH0078AE	PG15																																																																																																																																																																																																																																																																																																																																																																																																																																																																																																																																																																																																																																																																																																																																																																																																																																																																																																																																																																																																																																																																																																																																																																																	
21F	CH0078AF	PG15																																																																																																																																																																																																																																																																																																																																																																																																																																																																																																																																																																																																																																																																																																																																																																																																																																																																																																																																																																																																																																																																																																																																																																																	
22F	CH0078AG	PG15																																																																																																																																																																																																																																																																																																																																																																																																																																																																																																																																																																																																																																																																																																																																																																																																																																																																																																																																																																																																																																																																																																																																																																																	
23F	CH0078AH	PG15																																																																																																																																																																																																																																																																																																																																																																																																																																																																																																																																																																																																																																																																																																																																																																																																																																																																																																																																																																																																																																																																																																																																																																																	
24F	CH0078AI	PG15																																																																																																																																																																																																																																																																																																																																																																																																																																																																																																																																																																																																																																																																																																																																																																																																																																																																																																																																																																																																																																																																																																																																																																																	
25F	CH0078AJ	PG15																																																																																																																																																																																																																																																																																																																																																																																																																																																																																																																																																																																																																																																																																																																																																																																																																																																																																																																																																																																																																																																																																																																																																																																	
26F	CH0078AK	PG15																																																																																																																																																																																																																																																																																																																																																																																																																																																																																																																																																																																																																																																																																																																																																																																																																																																																																																																																																																																																																																																																																																																																																																																	
27F	CH0078AL	PG15																																																																																																																																																																																																																																																																																																																																																																																																																																																																																																																																																																																																																																																																																																																																																																																																																																																																																																																																																																																																																																																																																																																																																																																	
28F	CH0078AM	PG15																																																																																																																																																																																																																																																																																																																																																																																																																																																																																																																																																																																																																																																																																																																																																																																																																																																																																																																																																																																																																																																																																																																																																																																	
29F	CH0078AN	PG15																																																																																																																																																																																																																																																																																																																																																																																																																																																																																																																																																																																																																																																																																																																																																																																																																																																																																																																																																																																																																																																																																																																																																																																	
30F	CH0078AO	PG15																																																																																																																																																																																																																																																																																																																																																																																																																																																																																																																																																																																																																																																																																																																																																																																																																																																																																																																																																																																																																																																																																																																																																																																	
31F	CH0078AP	PG15																																																																																																																																																																																																																																																																																																																																																																																																																																																																																																																																																																																																																																																																																																																																																																																																																																																																																																																																																																																																																																																																																																																																																																																	
32F	CH0078AQ	PG15																																																																																																																																																																																																																																																																																																																																																																																																																																																																																																																																																																																																																																																																																																																																																																																																																																																																																																																																																																																																																																																																																																																																																																																	
1G	CH0079H	PG15																																																																																																																																																																																																																																																																																																																																																																																																																																																																																																																																																																																																																																																																																																																																																																																																																																																																																																																																																																																																																																																																																																																																																																																	
2G	CH0079L	PG15																																																																																																																																																																																																																																																																																																																																																																																																																																																																																																																																																																																																																																																																																																																																																																																																																																																																																																																																																																																																																																																																																																																																																																																	
3G	CH0079R	PG15																																																																																																																																																																																																																																																																																																																																																																																																																																																																																																																																																																																																																																																																																																																																																																																																																																																																																																																																																																																																																																																																																																																																																																																	
4G	CH0079M	PG15																																																																																																																																																																																																																																																																																																																																																																																																																																																																																																																																																																																																																																																																																																																																																																																																																																																																																																																																																																																																																																																																																																																																																																																	
5G	CH0079N	PG15																																																																																																																																																																																																																																																																																																																																																																																																																																																																																																																																																																																																																																																																																																																																																																																																																																																																																																																																																																																																																																																																																																																																																																																	
6G	CH0079P	PG15																																																																																																																																																																																																																																																																																																																																																																																																																																																																																																																																																																																																																																																																																																																																																																																																																																																																																																																																																																																																																																																																																																																																																																																	
7G	CH0079Q	PG15																																																																																																																																																																																																																																																																																																																																																																																																																																																																																																																																																																																																																																																																																																																																																																																																																																																																																																																																																																																																																																																																																																																																																																																	
8G	CH0079S	PG15																																																																																																																																																																																																																																																																																																																																																																																																																																																																																																																																																																																																																																																																																																																																																																																																																																																																																																																																																																																																																																																																																																																																																																																	
9G	CH0079T	PG15																																																																																																																																																																																																																																																																																																																																																																																																																																																																																																																																																																																																																																																																																																																																																																																																																																																																																																																																																																																																																																																																																																																																																																																	
10G	CH0079U	PG15																																																																																																																																																																																																																																																																																																																																																																																																																																																																																																																																																																																																																																																																																																																																																																																																																																																																																																																																																																																																																																																																																																																																																																																	
11G	CH0079V	PG15																																																																																																																																																																																																																																																																																																																																																																																																																																																																																																																																																																																																																																																																																																																																																																																																																																																																																																																																																																																																																																																																																																																																																																																	
12G	CH0079W	PG15																																																																																																																																																																																																																																																																																																																																																																																																																																																																																																																																																																																																																																																																																																																																																																																																																																																																																																																																																																																																																																																																																																																																																																																	
13G	CH0079X	PG15																																																																																																																																																																																																																																																																																																																																																																																																																																																																																																																																																																																																																																																																																																																																																																																																																																																																																																																																																																																																																																																																																																																																																																																	
14G	CH0079Y	PG15																																																																																																																																																																																																																																																																																																																																																																																																																																																																																																																																																																																																																																																																																																																																																																																																																																																																																																																																																																																																																																																																																																																																																																																	
15G	CH0079Z	PG15																																																																																																																																																																																																																																																																																																																																																																																																																																																																																																																																																																																																																																																																																																																																																																																																																																																																																																																																																																																																																																																																																																																																																																																	
16G	CH0079AA	PG15																																																																																																																																																																																																																																																																																																																																																																																																																																																																																																																																																																																																																																																																																																																																																																																																																																																																																																																																																																																																																																																																																																																																																																																	
17G	CH0079AB	PG15																																																																																																																																																																																																																																																																																																																																																																																																																																																																																																																																																																																																																																																																																																																																																																																																																																																																																																																																																																																																																																																																																																																																																																																	
18G	CH0079AC	PG15																																																																																																																																																																																																																																																																																																																																																																																																																																																																																																																																																																																																																																																																																																																																																																																																																																																																																																																																																																																																																																																																																																																																																																																	
19G	CH0079AD	PG15																																																																																																																																																																																																																																																																																																																																																																																																																																																																																																																																																																																																																																																																																																																																																																																																																																																																																																																																																																																																																																																																																																																																																																																	
20G	CH0079AE	PG15																																																																																																																																																																																																																																																																																																																																																																																																																																																																																																																																																																																																																																																																																																																																																																																																																																																																																																																																																																																																																																																																																																																																																																																	
21G	CH0079AF	PG15																																																																																																																																																																																																																																																																																																																																																																																																																																																																																																																																																																																																																																																																																																																																																																																																																																																																																																																																																																																																																																																																																																																																																																																	
22G	CH0079AG	PG15																																																																																																																																																																																																																																																																																																																																																																																																																																																																																																																																																																																																																																																																																																																																																																																																																																																																																																																																																																																																																																																																																																																																																																																	
23G	CH0079AH	PG15																																																																																																																																																																																																																																																																																																																																																																																																																																																																																																																																																																																																																																																																																																																																																																																																																																																																																																																																																																																																																																																																																																																																																																																	
24G	CH0079AI	PG15																																																																																																																																																																																																																																																																																																																																																																																																																																																																																																																																																																																																																																																																																																																																																																																																																																																																																																																																																																																																																																																																																																																																																																																	
25G	CH0079AJ	PG15																																																																																																																																																																																																																																																																																																																																																																																																																																																																																																																																																																																																																																																																																																																																																																																																																																																																																																																																																																																																																																																																																																																																																																																	
26G	CH0079AK	PG15																																																																																																																																																																																																																																																																																																																																																																																																																																																																																																																																																																																																																																																																																																																																																																																																																																																																																																																																																																																																																																																																																																																																																																																	
27G	CH0079AL	PG15																																																																																																																																																																																																																																																																																																																																																																																																																																																																																																																																																																																																																																																																																																																																																																																																																																																																																																																																																																																																																																																																																																																																																																																	
28G	CH0079AM	PG15																																																																																																																																																																																																																																																																																																																																																																																																																																																																																																																																																																																																																																																																																																																																																																																																																																																																																																																																																																																																																																																																																																																																																																																	
29G	CH0079AN	PG15																																																																																																																																																																																																																																																																																																																																																																																																																																																																																																																																																																																																																																																																																																																																																																																																																																																																																																																																																																																																																																																																																																																																																																																	
30G	CH0079AO	PG15																																																																																																																																																																																																																																																																																																																																																																																																																																																																																																																																																																																																																																																																																																																																																																																																																																																																																																																																																																																																																																																																																																																																																																																	
31G	CH0079AP	PG15																																																																																																																																																																																																																																																																																																																																																																																																																																																																																																																																																																																																																																																																																																																																																																																																																																																																																																																																																																																																																																																																																																																																																																																	
32G	CH0079AQ	PG15																																																																																																																																																																																																																																																																																																																																																																																																																																																																																																																																																																																																																																																																																																																																																																																																																																																																																																																																																																																																																																																																																																																																																																																	
1H	CH0080H	PG15																																																																																																																																																																																																																																																																																																																																																																																																																																																																																																																																																																																																																																																																																																																																																																																																																																																																																																																																																																																																																																																																																																																																																																																	
2H	CH0080L	PG15																																																																																																																																																																																																																																																																																																																																																																																																																																																																																																																																																																																																																																																																																																																																																																																																																																																																																																																																																																																																																																																																																																																																																																																	
3H	CH0080R	PG15																																																																																																																																																																																																																																																																																																																																																																																																																																																																																																																																																																																																																																																																																																																																																																																																																																																																																																																																																																																																																																																																																																																																																																																	
4H	CH0080M	PG15																																																																																																																																																																																																																																																																																																																																																																																																																																																																																																																																																																																																																																																																																																																																																																																																																																																																																																																																																																																																																																																																																																																																																																																	
5H	CH0080N	PG15																																																																																																																																																																																																																																																																																																																																																																																																																																																																																																																																																																																																																																																																																																																																																																																																																																																																																																																																																																																																																																																																																																																																																																																	
6H	CH0080P	PG15																																																																																																																																																																																																																																																																																																																																																																																																																																																																																																																																																																																																																																																																																																																																																																																																																																																																																																																																																																																																																																																																																																																																																																																	
7H	CH0080Q	PG15																																																																																																																																																																																																																																																																																																																																																																																																																																																																																																																																																																																																																																																																																																																																																																																																																																																																																																																																																																																																																																																																																																																																																																																	
8H	CH0080S	PG15																																																																																																																																																																																																																																																																																																																																																																																																																																																																																																																																																																																																																																																																																																																																																																																																																																																																																																																																																																																																																																																																																																																																																																																	
9H	CH0080T	PG15																																																																																																																																																																																																																																																																																																																																																																																																																																																																																																																																																																																																																																																																																																																																																																																																																																																																																																																																																																																																																																																																																																																																																																																	
10H	CH0080U	PG15																																																																																																																																																																																																																																																																																																																																																																																																																																																																																																																																																																																																																																																																																																																																																																																																																																																																																																																																																																																																																																																																																																																																																																																	
11H	CH0080V	PG15																																																																																																																																																																																																																																																																																																																																																																																																																																																																																																																																																																																																																																																																																																																																																																																																																																																																																																																																																																																																																																																																																																																																																																																	
12H	CH0080W	PG15																																																																																																																																																																																																																																																																																																																																																																																																																																																																																																																																																																																																																																																																																																																																																																																																																																																																																																																																																																																																																																																																																																																																																																																	
13H	CH0080X	PG15																																																																																																																																																																																																																																																																																																																																																																																																																																																																																																																																																																																																																																																																																																																																																																																																																																																																																																																																																																																																																																																																																																																																																																																	
14H	CH0080Y	PG15																																																																																																																																																																																																																																																																																																																																																																																																																																																																																																																																																																																																																																																																																																																																																																																																																																																																																																																																																																																																																																																																																																																																																																																	
15H	CH0080Z	PG15																																																																																																																																																																																																																																																																																																																																																																																																																																																																																																																																																																																																																																																																																																																																																																																																																																																																																																																																																																																																																																																																																																																																																																																	
16H	CH0080AA	PG15																																																																																																																																																																																																																																																																																																																																																																																																																																																																																																																																																																																																																																																																																																																																																																																																																																																																																																																																																																																																																																																																																																																																																																																	
17H	CH0080AB	PG15																																																																																																																																																																																																																																																																																																																																																																																																																																																																																																																																																																																																																																																																																																																																																																																																																																																																																																																																																																																																																																																																																																																																																																																	
18H	CH0080AC	PG15																																																																																																																																																																																																																																																																																																																																																																																																																																																																																																																																																																																																																																																																																																																																																																																																																																																																																																																																																																																																																																																																																																																																																																																	
19H	CH0080AD	PG15																																																																																																																																																																																																																																																																																																																																																																																																																																																																																																																																																																																																																																																																																																																																																																																																																																																																																																																																																																																																																																																																																																																																																																																	
20H	CH0080AE	PG15																																																																																																																																																																																																																																																																																																																																																																																																																																																																																																																																																																																																																																																																																																																																																																																																																																																																																																																																																																																																																																																																																																																																																																																	
21H	CH0080AF	PG15																																																																																																																																																																																																																																																																																																																																																																																																																																																																																																																																																																																																																																																																																																																																																																																																																																																																																																																																																																																																																																																																																																																																																																																	
22H	CH0080AG	PG15																																																																																																																																																																																																																																																																																																																																																																																																																																																																																																																																																																																																																																																																																																																																																																																																																																																																																																																																																																																																																																																																																																																																																																																	
23H	CH0080AH	PG15																																																																																																																																																																																																																																																																																																																																																																																																																																																																																																																																																																																																																																																																																																																																																																																																																																																																																																																																																																																																																																																																																																																																																																																	
24H	CH0080AI	PG15																																																																																																																																																																																																																																																																																																																																																																																																																																																																																																																																																																																																																																																																																																																																																																																																																																																																																																																																																																																																																																																																																																																																																																																	
25H	CH0080AJ	PG15																																																																																																																																																																																																																																																																																																																																																																																																																																																																																																																																																																																																																																																																																																																																																																																																																																																																																																																																																																																																																																																																																																																																																																																	
26H	CH0080AK	PG15																																																																																																																																																																																																																																																																																																																																																																																																																																																																																																																																																																																																																																																																																																																																																																																																																																																																																																																																																																																																																																																																																																																																																																																	
27H	CH0080AL	PG15																																																																																																																																																																																																																																																																																																																																																																																																																																																																																																																																																																																																																																																																																																																																																																																																																																																																																																																																																																																																																																																																																																																																																																																	
28H	CH0080AM	PG15																																																																																																																																																																																																																																																																																																																																																																																																																																																																																																																																																																																																																																																																																																																																																																																																																																																																																																																																																																																																																																																																																																																																																																																	
29H	CH0080AN	PG15																																																																																																																																																																																																																																																																																																																																																																																																																																																																																																																																																																																																																																																																																																																																																																																																																																																																																																																																																																																																																																																																																																																																																																																	
30H	CH0080AO	PG15																																																																																																																																																																																																																																																																																																																																																																																																																																																																																																																																																																																																																																																																																																																																																																																																																																																																																																																																																																																																																																																																																																																																																																																	
31H	CH0080AP	PG15																																																																																																																																																																																																																																																																																																																																																																																																																																																																																																																																																																																																																																																																																																																																																																																																																																																																																																																																																																																																																																																																																																																																																																																	
32H	CH0080AQ	PG15																																																																																																																																																																																																																																																																																																																																																																																																																																																																																																																																																																																																																																																																																																																																																																																																																																																																																																																																																																																																																																																																																																																																																																																	
1I	CH0081H	PG15																																																																																																																																																																																																																																																																																																																																																																																																																																																																																																																																																																																																																																																																																																																																																																																																																																																																																																																																																																																																																																																																																																																																																																																	
2I	CH0081L	PG15																																																																																																																																																																																																																																																																																																																																																																																																																																																																																																																																																																																																																																																																																																																																																																																																																																																																																																																																																																																																																																																																																																																																																																																	
3I	CH0081R	PG15																																																																																																																																																																																																																																																																																																																																																																																																																																																																																																																																																																																																																																																																																																																																																																																																																																																																																																																																																																																																																																																																																																																																																																																	
4I	CH0081M	PG15																																																																																																																																																																																																																																																																																																																																																																																																																																																																																																																																																																																																																																																																																																																																																																																																																																																																																																																																																																																																																																																																																																																																																																																	
5I	CH0081N	PG15																																																																																																																																																																																																																																																																																																																																																																																																																																																																																																																																																																																																																																																																																																																																																																																																																																																																																																																																																																																																																																																																																																																																																																																	
6I	CH0081P	PG15																																																																																																																																																																																																																																																																																																																																																																																																																																																																																																																																																																																																																																																																																																																																																																																																																																																																																																																																																																																																																																																																																																																																																																																	
7I	CH0081Q	PG15																																																																																																																																																																																																																																																																																																																																																																																																																																																																																																																																																																																																																																																																																																																																																																																																																																																																																																																																																																																																																																																																																																																																																																																	
8I	CH0081S	PG15																																																																																																																																																																																																																																																																																																																																																																																																																																																																																																																																																																																																																																																																																																																																																																																																																																																																																																																																																																																																																																																																																																																																																																																	
9I	CH0081T	PG15																																																																																																																																																																																																																																																																																																																																																																																																																																																																																																																																																																																																																																																																																																																																																																																																																																																																																																																																																																																																																																																																																																																																																																																	
10I	CH0081U	PG15																																																																																																																																																																																																																																																																																																																																																																																																																																																																																																																																																																																																																																																																																																																																																																																																																																																																																																																																																																																																																																																																																																																																																																																	
11I	CH0081V	PG15																																																																																																																																																																																																																																																																																																																																																																																																																																																																																																																																																																																																																																																																																																																																																																																																																																																																																																																																																																																																																																																																																																																																																																																	
12I	CH0081W	PG15																																																																																																																																																																																																																																																																																																																																																																																																																																																																																																																																																																																																																																																																																																																																																																																																																																																																																																																																																																																																																																																																																																																																																																																	
13I	CH0081X	PG15																																																																																																																																																																																																																																																																																																																																																																																																																																																																																																																																																																																																																																																																																																																																																																																																																																																																																																																																																																																																																																																																																																																																																																																	
14I	CH0081Y	PG15																																																																																																																																																																																																																																																																																																																																																																																																																																																																																																																																																																																																																																																																																																																																																																																																																																																																																																																																																																																																																																																																																																																																																																																	
15I	CH0081Z	PG15																																																																																																																																																																																																																																																																																																																																																																																																																																																																																																																																																																																																																																																																																																																																																																																																																																																																																																																																																																																																																																																																																																																																																																																	
16I	CH0081AA	PG15																																																																																																																																																																																																																																																																																																																																																																																																																																																																																																																																																																																																																																																																																																																																																																																																																																																																																																																																																																																																																																																																																																																																																																																	
17I	CH0081AB	PG15																																																																																																																																																																																																																																																																																																																																																																																																																																																																																																																																																																																																																																																																																																																																																																																																																																																																																																																																																																																																																																																																																																																																																																																	
18I	CH0081AC	PG15																																																																																																																																																																																																																																																																																																																																																																																																																																																																																																																																																																																																																																																																																																																																																																																																																																																																																																																																																																																																																																																																																																																																																																																	
19I	CH0081AD	PG15																																																																																																																																																																																																																																																																																																																																																																																																																																																																																																																																																																																																																																																																																																																																																																																																																																																																																																																																																																																																																																																																																																																																																																																	
20I	CH0081AE	PG15																																																																																																																																																																																																																																																																																																																																																																																																																																																																																																																																																																																																																																																																																																																																																																																																																																																																																																																																																																																																																																																																																																																																																																																	
21I	CH0081AF	PG15																																																																																																																																																																																																																																																																																																																																																																																																																																																																																																																																																																																																																																																																																																																																																																																																																																																																																																																																																																																																																																																																																																																																																																																	
22I	CH0081AG	PG15																																																																																																																																																																																																																																																																																																																																																																																																																																																																																																																																																																																																																																																																																																																																																																																																																																																																																																																																																																																																																																																																																																																																																																																	
23I	CH0081AH	PG15																																																																																																																																																																																																																																																																																																																																																																																																																																																																																																																																																																																																																																																																																																																																																																																																																																																																																																																																																																																																																																																																																																																																																																																	
24I	CH0081AI	PG15																																																																																																																																																																																																																																																																																																																																																																																																																																																																																																																																																																																																																																																																																																																																																																																																																																																																																																																																																																																																																																																																																																																																																																																	
25I	CH0081AJ	PG15																																																																																																																																																																																																																																																																																																																																																																																																																																																																																																																																																																																																																																																																																																																																																																																																																																																																																																																																																																																																																																																																																																																																																																																	
26I	CH0081AK	PG15																																																																																																																																																																																																																																																																																																																																																																																																																																																																																																																																																																																																																																																																																																																																																																																																																																																																																																																																																																																																																																																																																																																																																																																	
27I	CH0081AL	PG15																																																																																																																																																																																																																																																																																																																																																																																																																																																																																																																																																																																																																																																																																																																																																																																																																																																																																																																																																																																																																																																																																																																																																																																	
28I	CH0081AM	PG15																																																																																																																																																																																																																																																																																																																																																																																																																																																																																																																																																																																																																																																																																																																																																																																																																																																																																																																																																																																																																																																																																																																																																																																	
29I	CH0081AN	PG15																																																																																																																																																																																																																																																																																																																																																																																																																																																																																																																																																																																																																																																																																																																																																																																																																																																																																																																																																																																																																																																																																																																																																																																	
30I	CH0081AO	PG15																																																																																																																																																																																																																																																																																																																																																																																																																																																																																																																																																																																																																																																																																																																																																																																																																																																																																																																																																																																																																																																																																																																																																																																	
31I	CH0081AP	PG15																																																																																																																																																																																																																																																																																																																																																																																																																																																																																																																																																																																																																																																																																																																																																																																																																																																																																																																																																																																																																																																																																																																																																																																	
32I	CH0081AQ	PG15																																																																																																																																																																																																																																																																																																																																																																																																																																																																																																																																																																																																																																																																																																																																																																																																																																																																																																																																																																																																																																																																																																																																																																																	
1J	CH0082H	PG15																																																																																																																																																																																																																																																																																																																																																																																																																																																																																																																																																																																																																																																																																																																																																																																																																																																																																																																																																																																																																																																																																																																																																																																	
2J	CH0082L	PG15																																																																																																																																																																																																																																																																																																																																																																																																																																																																																																																																																																																																																																																																																																																																																																																																																																																																																																																																																																																																																																																																																																																																																																																	
3J	CH0082R	PG15																																																																																																																																																																																																																																																																																																																																																																																																																																																																																																																																																																																																																																																																																																																																																																																																																																																																																																																																																																																																																																																																																																																																																																																	
4J	CH0082M	PG15																																																																																																																																																																																																																																																																																																																																																																																																																																																																																																																																																																																																																																																																																																																																																																																																																																																																																																																																																																																																																																																																																																																																																																																	
5J	CH0082N	PG15																																																																																																																																																																																																																																																																																																																																																																																																																																																																																																																																																																																																																																																																																																																																																																																																																																																																																																																																																																																																																																																																																																																																																																																	
6J	CH0082P	PG15																																																																																																																																																																																																																																																																																																																																																																																																																																																																																																																																																																																																																																																																																																																																																																																																																																																																																																																																																																																																																																																																																																																																																																																	
7J	CH0082Q	PG15																																																																																																																																																																																																																																																																																																																																																																																																																																																																																																																																																																																																																																																																																																																																																																																																																																																																																																																																																																																																																																																																																																																																																																																	
8J	CH0082S	PG15																																																																																																																																																																																																																																																																																																																																																																																																																																																																																																																																																																																																																																																																																																																																																																																																																																																																																																																																																																																																																																																																																																																																																																																	
9J	CH0082T	PG15																																																																																																																																																																																																																																																																																																																																																																																																																																																																																																																																																																																																																																																																																																																																																																																																																																																																																																																																																																																																																																																																																																																																																																																	
10J	CH0082U	PG15																																																																																																																																																																																																																																																																																																																																																																																																																																																																																																																																																																																																																																																																																																																																																																																																																																																																																																																																																																																																																																																																																																																																																																																	
11J	CH0082V	PG15																																																																																																																																																																																																																																																																																																																																																																																																																																																																																																																																																																																																																																																																																																																																																																																																																																																																																																																																																																																																																																																																																																																																																																																	
12J	CH0082W	PG15																																																																																																																																																																																																																																																																																																																																																																																																																																																																																																																																																																																																																																																																																																																																																																																																																																																																																																																																																																																																																																																																																																																																																																																	
13J	CH0082X	PG15																																																																																																																																																																																																																																																																																																																																																																																																																																																																																																																																																																																																																																																																																																																																																																																																																																																																																																																																																																																																																																																																																																																																																																																	
14J	CH0082Y	PG15																																																																																																																																																																																																																																																																																																																																																																																																																																																																																																																																																																																																																																																																																																																																																																																																																																																																																																																																																																																																																																																																																																																																																																																	
15J	CH0082Z	PG15																																																																																																																																																																																																																																																																																																																																																																																																																																																																																																																																																																																																																																																																																																																																																																																																																																																																																																																																																																																																																																																																																																																																																																																	
16J	CH0082AA	PG15																																																																																																																																																																																																																																																																																																																																																																																																																																																																																																																																																																																																																																																																																																																																																																																																																																																																																																																																																																																																																																																																																																																																																																																	
17J	CH0082AB	PG15																																																																																																																																																																																																																																																																																																																																																																																																																																																																																																																																																																																																																																																																																																																																																																																																																																																																																																																																																																																																																																																																																																																																																																																	
18J	CH0082AC	PG15																																																																																																																																																																																																																																																																																																																																																																																																																																																																																																																																																																																																																																																																																																																																																																																																																																																																																																																																																																																																																																																																																																																																																																																	
19J	CH0082AD	PG15																																																																																																																																																																																																																																																																																																																																																																																																																																																																																																																																																																																																																																																																																																																																																																																																																																																																																																																																																																																																																																																																																																																																																																																	
20J	CH0082AE	PG15																																																																																																																																																																																																																																																																																																																																																																																																																																																																																																																																																																																																																																																																																																																																																																																																																																																																																																																																																																																																																																																																																																																																																																																	
21J	CH0082AF	PG15																																																																																																																																																																																																																																																																																																																																																																																																																																																																																																																																																																																																																																																																																																																																																																																																																																																																																																																																																																																																																																																																																																																																																																																	
22J	CH0082AG	PG15																																																																																																																																																																																																																																																																																																																																																																																																																																																																																																																																																																																																																																																																																																																																																																																																																																																																																																																																																																																																																																																																																																																																																																																	
23J	CH0082AH	PG15																																																																																																																																																																																																																																																																																																																																																																																																																																																																																																																																																																																																																																																																																																																																																																																																																																																																																																																																																																																																																																																																																																																																																																																	
24J	CH0082AI	PG15																																																																																																																																																																																																																																																																																																																																																																																																																																																																																																																																																																																																																																																																																																																																																																																																																																																																																																																																																																																																																																																																																																																																																																																	
25J	CH0082AJ	PG15																																																																																																																																																																																																																																																																																																																																																																																																																																																																																																																																																																																																																																																																																																																																																																																																																																																																																																																																																																																																																																																																																																																																																																																	
26J	CH0082AK	PG15																																																																																																																																																																																																																																																																																																																																																																																																																																																																																																																																																																																																																																																																																																																																																																																																																																																																																																																																																																																																																																																																																																																																																																																	
27J	CH0082AL	PG15																																																																																																																																																																																																																																																																																																																																																																																																																																																																																																																																																																																																																																																																																																																																																																																																																																																																																																																																																																																																																																																																																																																																																																																	
28J	CH0082AM	PG15																																																																																																																																																																																																																																																																																																																																																																																																																																																																																																																																																																																																																																																																																																																																																																																																																																																																																																																																																																																																																																																																																																																																																																																	
29J	CH0082AN	PG15																																																																																																																																																																																																																																																																																																																																																																																																																																																																																																																																																																																																																																																																																																																																																																																																																																																																																																																																																																																																																																																																																																																																																																																	
30J	CH0082AO	PG15																																																																																																																																																																																																																																																																																																																																																																																																																																																																																																																																																																																																																																																																																																																																																																																																																																																																																																																																																																																																																																																																																																																																																																																	
31J	CH0082AP	PG15																																																																																																																																																																																																																																																																																																																																																																																																																																																																																																																																																																																																																																																																																																																																																																																																																																																																																																																																																																																																																																																																																																																																																																																	
32J	CH0082AQ	PG15																																																																																																																																																																																																																																																																																																																																																																																																																																																																																																																																																																																																																																																																																																																																																																																																																																																																																																																																																																																																																																																																																																																																																																																	
1K	CH0083H	PG15																																																																																																																																																																																																																																																																																																																																																																																																																																																																																																																																																																																																																																																																																																																																																																																																																																																																																																																																																																																																																																																																																																																																																																																	
2K	CH0083L	PG15																																																																																																																																																																																																																																																																																																																																																																																																																																																																																																																																																																																																																																																																																																																																																																																																																																																																																																																																																																																																																																																																																																																																																																																	
3K	CH0083R	PG15																																																																																																																																																																																																																																																																																																																																																																																																																																																																																																																																																																																																																																																																																																																																																																																																																																																																																																																																																																																																																																																																																																																																																																																	
4K	CH0083M	PG15																																																																																																																																																																																																																																																																																																																																																																																																																																																																																																																																																																																																																																																																																																																																																																																																																																																																																																																																																																																																																																																																																																																																																																																	
5K	CH0083N	PG15																																																																																																																																																																																																																																																																																																																																																																																																																																																																																																																																																																																																																																																																																																																																																																																																																																																																																																																																																																																																																																																																																																																																																																																	
6K	CH0083P	PG15																																																																																																																																																																																																																																																																																																																																																																																																																																																																																																																																																																																																																																																																																																																																																																																																																																																																																																																																																																																																																																																																																																																																																																																	
7K	CH0083Q	PG15																																																																																																																																																																																																																																																																																																																																																																																																																																																																																																																																																																																																																																																																																																																																																																																																																																																																																																																																																																																																																																																																																																																																																																																	
8K	CH0083S	PG15																																																																																																																																																																																																																																																																																																																																																																																																																																																																																																																																																																																																																																																																																																																																																																																																																																																																																																																																																																																																																																																																																																																																																																																	
9K	CH0083T	PG15																																																																																																																																																																																																																																																																																																																																																																																																																																																																																																																																																																																																																																																																																																																																																																																																																																																																																																																																																																																																																																																																																																																																																																																	
10K	CH0083U	PG15																																																																																																																																																																																																																																																																																																																																																																																																																																																																																																																																																																																																																																																																																																																																																																																																																																																																																																																																																																																																																																																																																																																																																																																	
11K	CH0083V	PG15																																																																																																																																																																																																																																																																																																																																																																																																																																																																																																																																																																																																																																																																																																																																																																																																																																																																																																																																																																																																																																																																																																																																																																																	
12K	CH0083W	PG15																																																																																																																																																																																																																																																																																																																																																																																																																																																																																																																																																																																																																																																																																																																																																																																																																																																																																																																																																																																																																																																																																																																																																																																	
13K	CH0083X	PG15																																																																																																																																																																																																																																																																																																																																																																																																																																																																																																																																																																																																																																																																																																																																																																																																																																																																																																																																																																																																																																																																																																																																																																																	
14K	CH0083Y	PG15																																																																																																																																																																																																																																																																																																																																																																																																																																																																																																																																																																																																																																																																																																																																																																																																																																																																																																																																																																																																																																																																																																																																																																																	
15K	CH0083Z	PG15																																																																																																																																																																																																																																																																																																																																																																																																																																																																																																																																																																																																																																																																																																																																																																																																																																																																																																																																																																																																																																																																																																																																																																																	
16K	CH0083AA	PG15																																																																																																																																																																																																																																																																																																																																																																																																																																																																																																																																																																																																																																																																																																																																																																																																																																																																																																																																																																																																																																																																																																																																																																																	
17K	CH0083AB	PG15																																																																																																																																																																																																																																																																																																																																																																																																																																																																																																																																																																																																																																																																																																																																																																																																																																																																																																																																																																																																																																																																																																																																																																																	
18K	CH0083AC	PG15																																																																																																																																																																																																																																																																																																																																																																																																																																																																																																																																																																																																																																																																																																																																																																																																																																																																																																																																																																																																																																																																																																																																																																																	
19K	CH0083AD	PG15																																																																																																																																																																																																																																																																																																																																																																																																																																																																																																																																																																																																																																																																																																																																																																																																																																																																																																																																																																																																																																																																																																																																																																																	
20K	CH0083AE	PG15																																																																																																																																																																																																																																																																																																																																																																																																																																																																																																																																																																																																																																																																																																																																																																																																																																																																																																																																																																																																																																																																																																																																																																																	
21K	CH0083AF	PG15																																																																																																																																																																																																																																																																																																																																																																																																																																																																																																																																																																																																																																																																																																																																																																																																																																																																																																																																																																																																																																																																																																																																																																																	
22K	CH0083AG	PG15																																																																																																																																																																																																																																																																																																																																																																																																																																																																																																																																																																																																																																																																																																																																																																																																																																																																																																																																																																																																																																																																																																																																																																																	
23K	CH0083AH	PG15																																																																																																																																																																																																																																																																																																																																																																																																																																																																																																																																																																																																																																																																																																																																																																																																																																																																																																																																																																																																																																																																																																																																																																																	
24K	CH0083AI	PG15																																																																																																																																																																																																																																																																																																																																																																																																																																																																																																																																																																																																																																																																																																																																																																																																																																																																																																																																																																																																																																																																																																																																																																																	
25K	CH0083AJ	PG15																																																																																																																																																																																																																																																																																																																																																																																																																																																																																																																																																																																																																																																																																																																																																																																																																																																																																																																																																																																																																																																																																																																																																																																	
26K	CH0083AK	PG15																																																																																																																																																																																																																																																																																																																																																																																																																																																																																																																																																																																																																																																																																																																																																																																																																																																																																																																																																																																																																																																																																																																																																																																	
27K	CH0083AL	PG15																																																																																																																																																																																																																																																																																																																																																																																																																																																																																																																																																																																																																																																																																																																																																																																																																																																																																																																																																																																																																																																																																																																																																																																	
28K	CH0083AM	PG15																																																																																																																																																																																																																																																																																																																																																																																																																																																																																																																																																																																																																																																																																																																																																																																																																																																																																																																																																																																																																																																																																																																																																																																	
29K	CH0083AN	PG15																																																																																																																																																																																																																																																																																																																																																																																																																																																																																																																																																																																																																																																																																																																																																																																																																																																																																																																																																																																																																																																																																																																																																																																	
30K	CH0083AO	PG15																																																																																																																																																																																																																																																																																																																																																																																																																																																																																																																																																																																																																																																																																																																																																																																																																																																																																																																																																																																																																																																																																																																																																																																	
31K	CH0083AP	PG15																																																																																																																																																																																																																																																																																																																																																																																																																																																																																																																																																																																																																																																																																																																																																																																																																																																																																																																																																																																																																																																																																																																																																																																	
32K	CH0083AQ	PG15																																																																																																																																																																																																																																																																																																																																																																																																																																																																																																																																																																																																																																																																																																																																																																																																																																																																																																																																																																																																																																																																																																																																																																																	
1L	CH0084H	PG15																																																																																																																																																																																																																																																																																																																																																																																																																																																																																																																																																																																																																																																																																																																																																																																																																																																																																																																																																																																																																																																																																																																																																																																	
2L	CH0084L	PG15																																																																																																																																																																																																																																																																																																																																																																																																																																																																																																																																																																																																																																																																																																																																																																																																																																																																																																																																																																																																																																																																																																																																																																																	
3L	CH0084R	PG15																																																																																																																																																																																																																																																																																																																																																																																																																																																																																																																																																																																																																																																																																																																																																																																																																																																																																																																																																																																																																																																																																																																																																																																	
4L	CH0084M	PG15																																																																																																																																																																																																																																																																																																																																																																																																																																																																																																																																																																																																																																																																																																																																																																																																																																																																																																																																																																																																																																																																																																																																																																																	
5L	CH0084N	PG15																																																																																																																																																																																																																																																																																																																																																																																																																																																																																																																																																																																																																																																																																																																																																																																																																																																																																																																																																																																																																																																																																																																																																																																	
6L	CH0084P	PG15																																																																																																																																																																																																																																																																																																																																																																																																																																																																																																																																																																																																																																																																																																																																																																																																																																																																																																																																																																																																																																																																																																																																																																																	
7L	CH0084Q	PG15																																																																																																																																																																																																																																																																																																																																																																																																																																																																																																																																																																																																																																																																																																																																																																																																																																																																																																																																																																																																																																																																																																																																																																																	
8L	CH0084S	PG15																																																																																																																																																																																																																																																																																																																																																																																																																																																																																																																																																																																																																																																																																																																																																																																																																																																																																																																																																																																																																																																																																																																																																																																	
9L	CH0084T	PG15																																																																																																																																																																																																																																																																																																																																																																																																																																																																																																																																																																																																																																																																																																																																																																																																																																																																																																																																																																																																																																																																																																																																																																																	
10L	CH0084U	PG15																																																																																																																																																																																																																																																																																																																																																																																																																																																																																																																																																																																																																																																																																																																																																																																																																																																																																																																																																																																																																																																																																																																																																																																	
11L	CH0084V	PG15																																																																																																																																																																																																																																																																																																																																																																																																																																																																																																																																																																																																																																																																																																																																																																																																																																																																																																																																																																																																																																																																																																																																																																																	
12L	CH0084W	PG15																																																																																																																																																																																																																																																																																																																																																																																																																																																																																																																																																																																																																																																																																																																																																																																																																																																																																																																																																																																																																																																																																																																																																																																	
13L	CH0084X	PG15																																																																																																																																																																																																																																																																																																																																																																																																																																																																																																																																																																																																																																																																																																																																																																																																																																																																																																																																																																																																																																																																																																																																																																																	
14L	CH0084Y	PG15																																																																																																																																																																																																																																																																																																																																																																																																																																																																																																																																																																																																																																																																																																																																																																																																																																																																																																																																																																																																																																																																																																																																																																																	
15L	CH0084Z	PG15																																																																																																																																																																																																																																																																																																																																																																																																																																																																																																																																																																																																																																																																																																																																																																																																																																																																																																																																																																																																																																																																																																																																																																																	
16L	CH0084AA	PG15																																																																																																																																																																																																																																																																																																																																																																																																																																																																																																																																																																																																																																																																																																																																																																																																																																																																																																																																																																																																																																																																																																																																																																																	
17L	CH0084AB	PG15																																																																																																																																																																																																																																																																																																																																																																																																																																																																																																																																																																																																																																																																																																																																																																																																																																																																																																																																																																																																																																																																																																																																																																																	
18L	CH0084AC	PG15																																																																																																																																																																																																																																																																																																																																																																																																																																																																																																																																																																																																																																																																																																																																																																																																																																																																																																																																																																																																																																																																																																																																																																																	
19L	CH0084AD	PG15																																																																																																																																																																																																																																																																																																																																																																																																																																																																																																																																																																																																																																																																																																																																																																																																																																																																																																																																																																																																																																																																																																																																																																																	
20L	CH0084AE	PG15																																																																																																																																																																																																																																																																																																																																																																																																																																																																																																																																																																																																																																																																																																																																																																																																																																																																																																																																																																																																																																																																																																																																																																																	
21L	CH0084AF	PG15																																																																																																																																																																																																																																																																																																																																																																																																																																																																																																																																																																																																																																																																																																																																																																																																																																																																																																																																																																																																																																																																																																																																																																																	
22L	CH0084AG	PG15																																																																																																																																																																																																																																																																																																																																																																																																																																																																																																																																																																																																																																																																																																																																																																																																																																																																																																																																																																																																																																																																																																																																																																																	
23L	CH0084AH	PG15																																																																																																																																																																																																																																																																																																																																																																																																																																																																																																																																																																																																																																																																																																																																																																																																																																																																																																																																																																																																																																																																																																																																																																																	
24L	CH0084AI																																																																																																																																																																																																																																																																																																																																																																																																																																																																																																																																																																																																																																																																																																																																																																																																																																																																																																																																																																																																																																																																																																																																																																																		



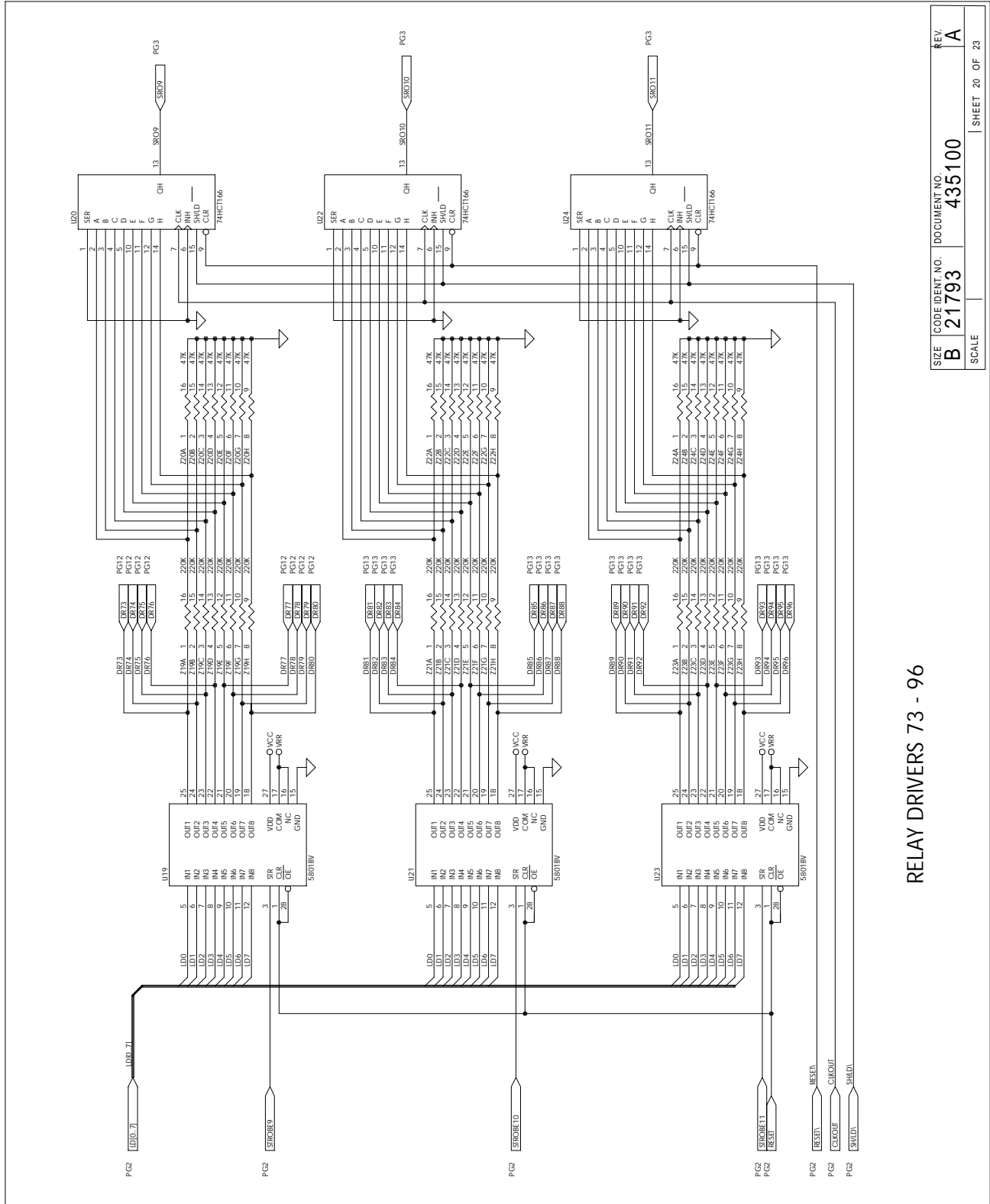
RELAY DRIVERS 25 - 48

SIZE	CODE IDENT. NO.	DOCUMENT NO.	REV.
B	21793	435100	A
SCALE			SHEET 18 OF 23



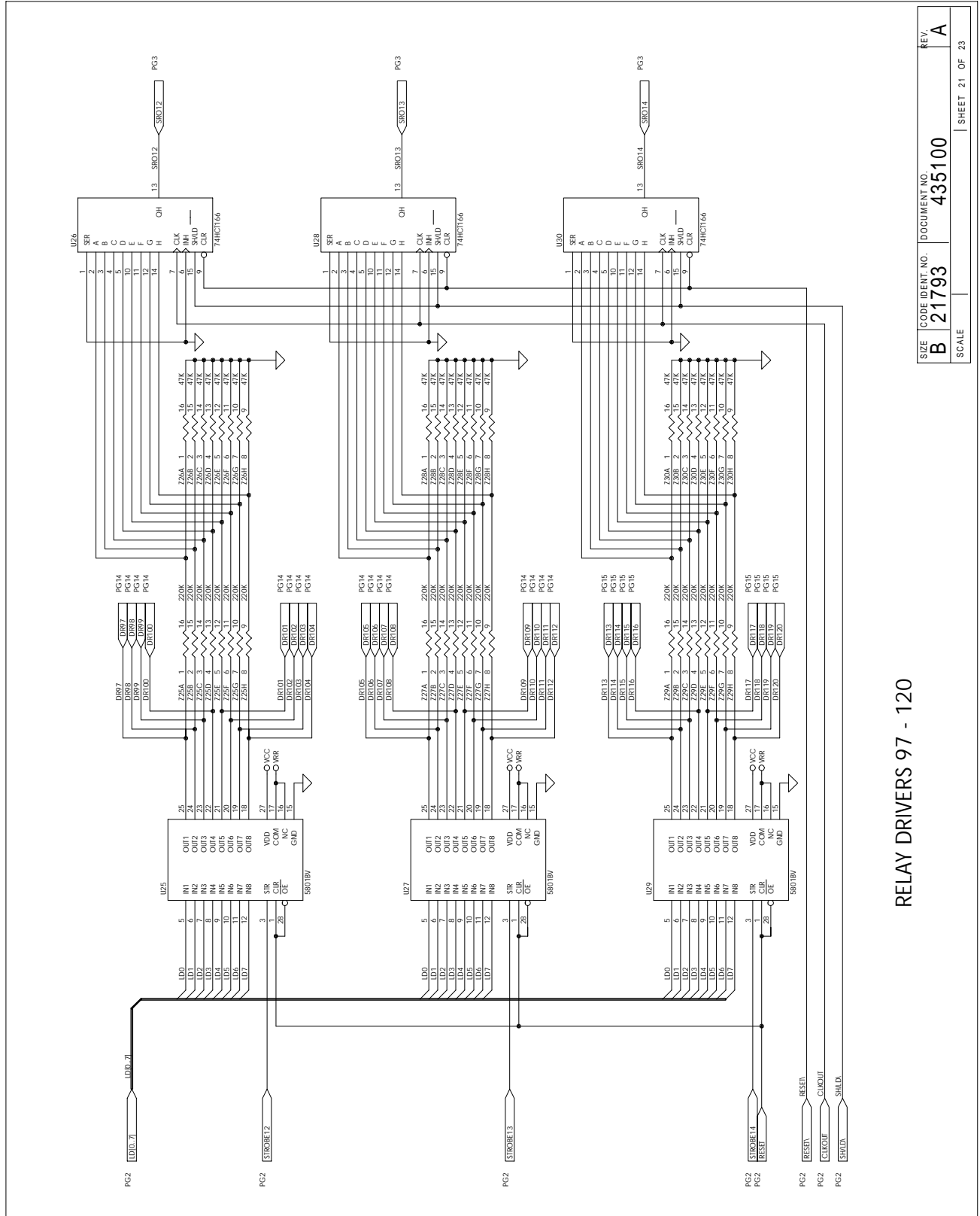
RELAY DRIVERS 49 - 72

SIZE	CODE IDENT. NO.	DOCUMENT NO.	REV.
B	21793	435100	A
SCALE			SHEET 19 OF 23



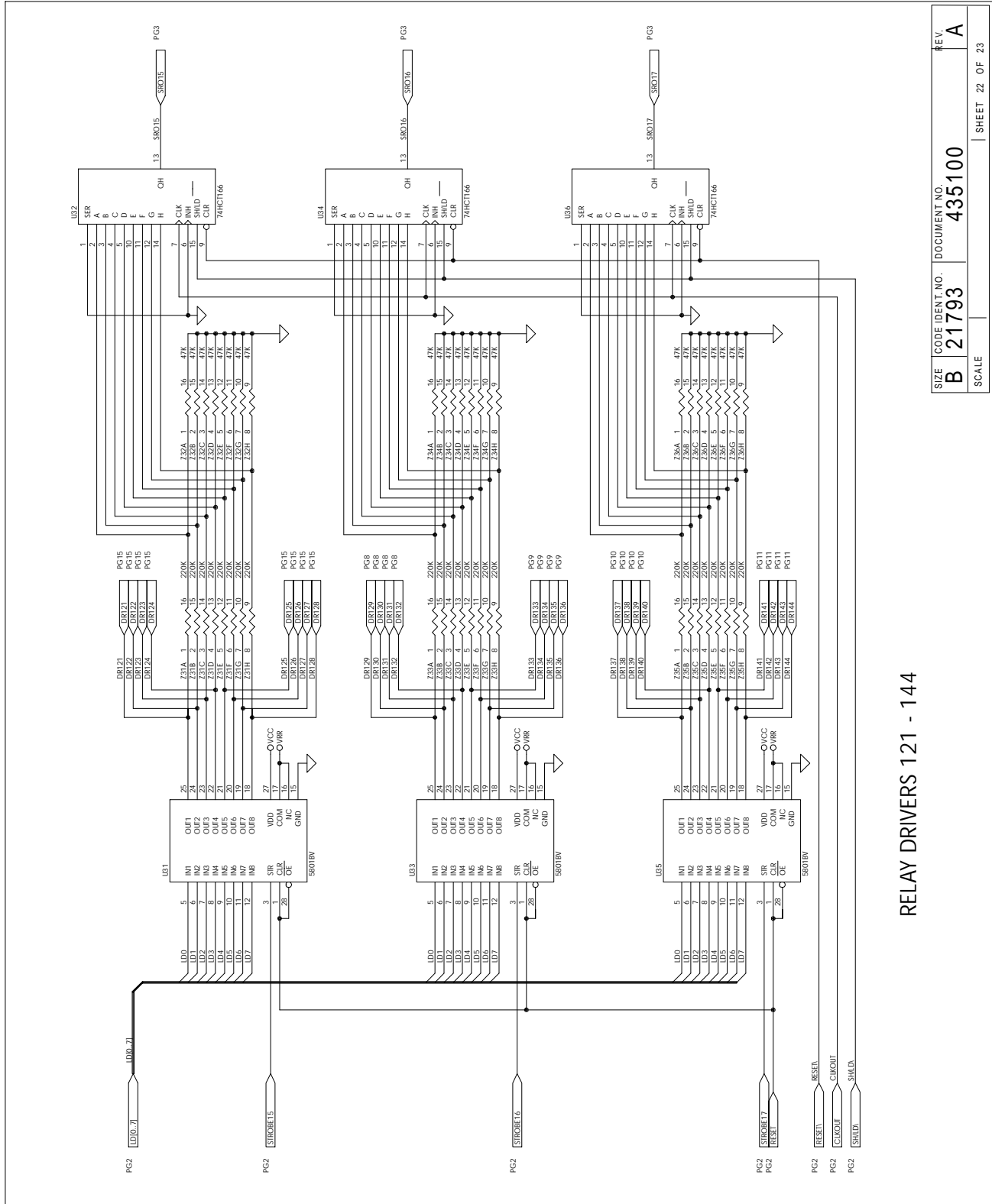
RELAY DRIVERS 73 - 96

SIZE	CODE IDENT. NO.	DOCUMENT NO.	REV.
B	21793	435100	A
SCALE			SHEET 20 OF 23



RELAY DRIVERS 97 - 120

SIZE	CODE IDENT. NO.	DOCUMENT NO.	REV.
B	21793	435100	A
SCALE			SHEET 21 OF 23



RELAY DRIVERS 121 - 144

SIZE	CODE IDENT. NO.	DOCUMENT NO.	REV.
B	21793	435100	A
SCALE		SHEET 22 OF 23	

DATE	REV	DESCRIPTION	DATE	APPROVED
	A	RELEASED PER DRAWING 1527	3/17/06	END
	B	REVISED PER DOW 25306	APR 10/21/08	
		REVISED PER DOW		
		REVISED PER DOW		
		REVISED PER DOW		
		REVISED PER DOW		

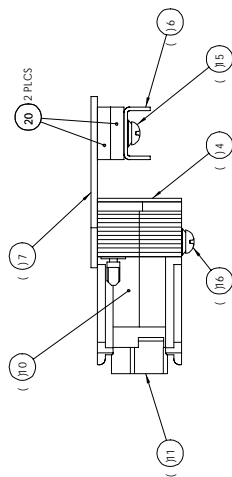
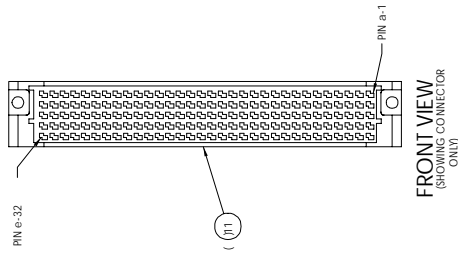
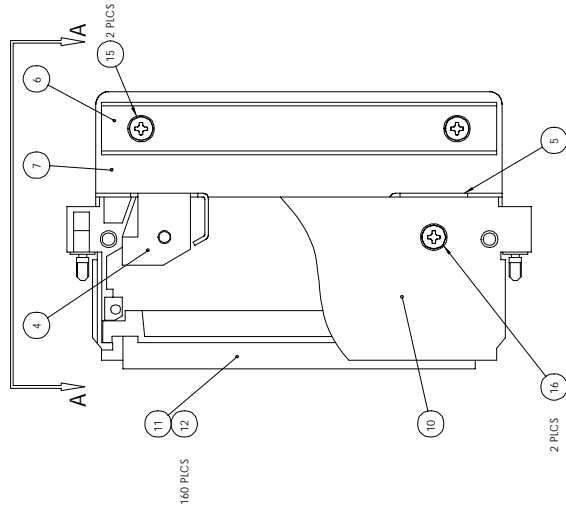
DATE	REV	DESCRIPTION	DATE	APPROVED
	A	RELEASED PER DRAWING 1527	3/17/06	END
	B	REVISED PER DOW 25306	APR 10/21/08	
		REVISED PER DOW		
		REVISED PER DOW		
		REVISED PER DOW		
		REVISED PER DOW		

DATE	REV	DESCRIPTION	DATE	APPROVED
	A	RELEASED PER DRAWING 1527	3/17/06	END
	B	REVISED PER DOW 25306	APR 10/21/08	
		REVISED PER DOW		
		REVISED PER DOW		
		REVISED PER DOW		
		REVISED PER DOW		

DATE	REV	DESCRIPTION	DATE	APPROVED
	A	RELEASED PER DRAWING 1527	3/17/06	END
	B	REVISED PER DOW 25306	APR 10/21/08	
		REVISED PER DOW		
		REVISED PER DOW		
		REVISED PER DOW		
		REVISED PER DOW		

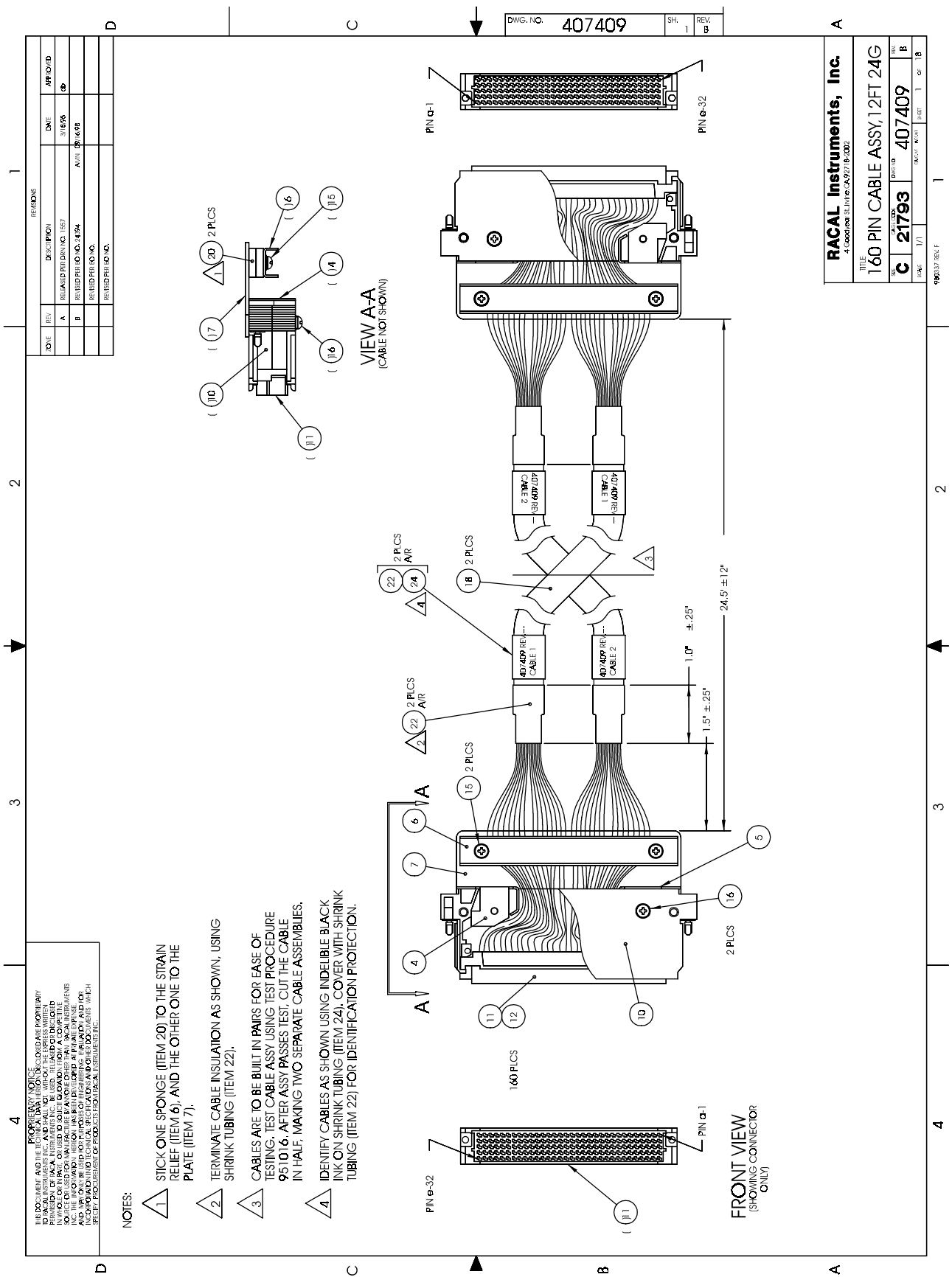
NOTES:

1. BAG AND TAG ALL ITEMS, INCLUDING INSTRUCTION SHEET, WITH RACAL INSTRUMENTS PART NO. AND CURRENT REVISION LETTER.
2. 407407: 160 PIN CONN KIT W/BACKSHELL (28-20G CRIMPS)
407407-001: 160 PIN CONN KIT W/BACKSHELL (28-24G CRIMPS)



VIEW A-A

RACAL Instruments, Inc.	
4 Goodwin St. Jamaica, NY 11432	
TITLE	
160 PIN CONN KIT	
W/BACKSHELL	
REV	DATE CODE
D	21793
SCALE	2:1
WORK SHEET	1 OF 3



ZONE	REV.	DESCRIPTION	DATE	APPROVED
A		RELEASED PER DRN (NO. 1787)	3/18/76	CB
B		REDESIGNED PER DR. 24/74		
		REDESIGNED PER DR. NO. 24/74		
		REDESIGNED PER DR. NO.		
		REDESIGNED PER DR. NO.		

NOTES:

- 1. STICK ONE SPONGE (ITEM 20) TO THE STRAIN RELIEF (ITEM 6), AND THE OTHER ONE TO THE PLATE (ITEM 7).
- 2. TERMINATE CABLE INSULATION AS SHOWN, USING SHRINK TUBING (ITEM 22).
- 3. CABLES ARE TO BE BUILT IN PAIRS FOR EASE OF TESTING. TEST CABLE ASSY USING TEST PROCEDURE 951016. AFTER ASSY PASSES TEST, CUT THE CABLE IN HALF, MAKING TWO SEPARATE CABLE ASSEMBLIES.
- 4. IDENTIFY CABLES AS SHOWN USING INDELIBLE BLACK INK ON SHRINK TUBING (ITEM 24). COVER WITH SHRINK TUBING (ITEM 22) FOR IDENTIFICATION PROTECTION.

VIEW A-A
(CABLE NOT SHOWN)

RACAL Instruments, Inc.	
4 Corporate Blvd., Gaithersburg, MD 20878	
TITLE: 160 PIN CABLE ASSY, 12FT 24G	
REV. C	REV. B
DATE: 1/71	DATE: 1/71
BY: 21793	BY: 407409
CHK: 1/71	CHK: 1/71

Chapter 5

PARTS LIST

407410	Final Assembly, 1260-38	5-3
407417	Shipping Kit, 1260-38.....	5-3
405100	PCB Assembly, 1260-38.....	5-4

Front Panel Connector Accessories

407407	160-Pin Connector Kit with backshell and pins	5-7
407408	160-Pin Cable Assy, 6ft., 24GA	5-8
407409	160-Pin Cable Assy, 12ft., 24GA	5-8
	List of Suppliers	5-9

This page was left intentionally blank.

User Manual 1260-38

407410 - FINAL ASSY, 1260-38

REF DESIG	RACAL INST P/N	DESCRIPTION	FSC	MANUFACTURER'S P/N
{1}1	1921423	LABEL, CE MARKING	21793	1921423
{6}1	407417	SHIP KIT, 1260-38	21793	407417
{7}1	405100	PCB ASSY, 1260-38	21793	405100
{10}1	456238-002	PANEL, RIGHT, 1260-35	21793	456238-002
{11}2	456438-001	BRACKET, CONNECTOR MOUNTING, TOP	21793	456438-001
{12}2	456438-002	BRACKET, CONNECTOR MOUNTING, BOTTOM	21793	456438-002
{13}1	456239-002	PANEL, LEFT, 1260-35	21793	456239-002
{16}1	456441	PANEL, FRONT, 1260-38	21793	456441
{18}1	611264	HANDLE, EXTRACTOR, BOTTOM	62559	20817-327
{19}1	611265	HANDLE, EXTRACTOR, TOP	62559	20817-328
{20}0.5	611266	MOUNTING HARDWARE, HANDLE	62559	21100-745
{23}4	616305	SCREW, PPH, M2.5X.045X12	-	-
{24}8	616400	SCREW, PFL, M2.5X.45	-	-
{28}2	616405	SCREW, PFH, M2.5-.45 X 12	-	-
{29}6	616414	SCREW, PFL, M3X.50X5	-	-
{30}4	617127	WASHER, LOCK, #4, LIGHT SERIES	-	-
{32}1	920927	BUMPER, ADHESIVE BACK	53387	SJ-5003BUMPON
{35}1	921059	LABEL, CAUTION, STATIC	21793	1921059
{36}	1921148-001	LABEL SET VXI	21793	1921148-001
{37}1	1921309	LABEL, VXI SWITCH ID	21793	1921309

407417 - SHIP KIT, 1260-38

REF DESIG	RACAL INST P/N	DESCRIPTION	FSC	MANUFACTURER'S P/N
{1}2	455540	KEY, LOCKOUT, TTL, A/C	21793	455540
{2}2	455541	KEY, LOCKOUT, TTL, A/C	21793	455541
{3}2	455542	KEY, LOCKOUT, TTL, A/C	21793	455542
{5}3	615013	SCREW, PPH 2-56 X .188	-	-
{6}1	1980673-037	MANUAL, 1260-38 MODULE	21793	1980673-037

405100 PCB, ASSY 1260-38

REF DESIG	RACAL INST P/N	DESCRIPTION	FSC	MANUFACTURER'S P/N
C1-C4	110126	CAP, TANTA, 6.8UF, 35V, 20 PERCENT	105397	T355F685M035A5
C5	R-21-1801	CAP, CHIP, 10 NF	95275	VJ1206Y103MF
C6	R-21-1801	CAP, CHIP, 10 NF	95275	VJ1206Y103MF
C100-C102	R-21-1801	CAP, CHIP, 10 NF	95275	VJ1206Y103MF
C103	130198	CAP, CHIP, 150NF, 35V, 10PCT	104222	TAJA154K035R
C104-C106	R-21-1801	CAP, CHIP, 10 NF	95275	VJ1206Y103MF
C108	R-21-1801	CAP, CHIP, 10 NF	95275	VJ1206Y103MF
C110	R-21-1801	CAP, CHIP, 10 NF	95275	VJ1206Y103MF
C113	R-21-1801	CAP, CHIP, 10 NF	95275	VJ1206Y103MF
C116-C118	R-21-1801	CAP, CHIP, 10 NF	95275	VJ1206Y103MF
C120-C125	R-21-1801	CAP, CHIP, 10 NF	95275	VJ1206Y103MF
C127-C144	R-21-1801	CAP, CHIP, 10 NF	95275	VJ1206Y103MF
C166	R-21-1801	CAP, CHIP, 10 NF	95275	VJ1206Y103MF
C167	R-21-1801	CAP, CHIP, 10 NF	95275	VJ1206Y103MF
J3	601925	CONNECTOR, PCB, RECEPT, 3 ROW, 96P	52072	1618008
J4	601925	CONNECTOR, PCB, RECEPT, 3 ROW, 96P	52072	1618008
J200	602249-116	CONNECTOR, PCB, PLUG, 160 PIN, 5 ROW	58730	MVC160-012-2
J201	602249-116	CONNECTOR, PCB, PLUG, 160 PIN, 5 ROW	58730	MVC160-012-2
K1-K158	310256	RELAY, ELECTRO-MECH, 2P2T, 2A, 24V	161529	TX2-24V
L1	100164	CAP, FEED-THRU, 800PF, 50V	100779	842448-2
L2	310193	CHOKO, SHIELDED, 5UH	91637	IH-5-5-10
L3	310193	CHOKO, SHIELDED, 5UH	91637	IH-5-5-10
L4	100164	CAP, FEED-THRU, 800PF, 50V	100779	842448-2
L5	1600245	JUMPER, INSULATED	52210	L-2007-1
P1	601675	CONNECTOR, EUROCARD TYPE C, 96-PIN	100779	532505-1
P2	601675	CONNECTOR, EUROCARD TYPE C, 96-PIN	100779	532505-1
Q1	200320	TRANSISTOR, NPN	104713	MMBT3904
R1-R16	1001909	RES, CARBON, 100 OHMS, 150V, 1/8W, 5PCT	101121	BB1015
R17	1050000-102	RES, CHIP, 1K, .06W, 5PCT	91637	CRCW-0805SERIES
R18	1050000-332	RES, CHIP, 3.3K, .06W, 5PCT	91637	CRCW0805SERIES
R19	1050000-102	RES, CHIP, 1K, .06W, 5PCT	91637	CRCW-0805SERIES
R20	1050000-102	RES, CHIP, 1K, .06W, 5PCT	91637	CRCW-0805SERIES
SW1-SW3	601969	SWITCH, DIP 6 POS, LOW PROFILE	165832	K406S
TP1	601197	POST, TEST, .025 SQ	100779	16-87022-6
TP2	601197	POST, TEST, .025 SQ	100779	16-87022-6
U1	231555	IC, 4/8 BIT PARALLEL-INPUT LATCHED DRIVERS	160496	MIC5801BV
U2	231120	IC, 8-BIT, PARALLEL/SERIAL OUT S.R.	118324	74HCT166D
U3	231555	IC, 4/8 BIT PARALLEL-INPUT LATCHED DRIVERS	160496	MIC5801BV
U4	231120	IC, 8-BIT, PARALLEL/SERIAL OUT S.R.	118324	74HCT166D
U5	231555	IC, 4/8 BIT PARALLEL-INPUT LATCHED DRIVERS	160496	MIC5801BV
U6	231120	IC, 8-BIT, PARALLEL/SERIAL OUT S.R.	118324	74HCT166D
U7	231555	IC, 4/8 BIT PARALLEL-INPUT LATCHED DRIVERS	160496	MIC5801BV
U8	231120	IC, 8-BIT, PARALLEL/SERIAL OUT S.R.	118324	74HCT166D
U9	231555	IC, 4/8 BIT PARALLEL-INPUT LATCHED DRIVERS	160496	MIC5801BV
U10	231120	IC, 8-BIT, PARALLEL/SERIAL OUT S.R.	118324	74HCT166D
U11	231555	IC, 4/8 BIT PARALLEL-INPUT LATCHED DRIVERS	160496	MIC5801BV
U12	231120	IC, 8-BIT, PARALLEL/SERIAL OUT S.R.	118324	74HCT166D
U13	231555	IC, 4/8 BIT PARALLEL-INPUT LATCHED DRIVERS	160496	MIC5801BV
U14	231120	IC, 8-BIT, PARALLEL/SERIAL OUT S.R.	118324	74HCT166D
U15	231555	IC, 4/8 BIT PARALLEL-INPUT LATCHED DRIVERS	160496	MIC5801BV
U16	231120	IC, 8-BIT, PARALLEL/SERIAL OUT S.R.	118324	74HCT166D
U17	231555	IC, 4/8 BIT PARALLEL-INPUT LATCHED DRIVERS	160496	MIC5801BV
U18	231120	IC, 8-BIT, PARALLEL/SERIAL OUT S.R.	118324	74HCT166D
U19	231555	IC, 4/8 BIT PARALLEL-INPUT LATCHED DRIVERS	160496	MIC5801BV
U20	231120	IC, 8-BIT, PARALLEL/SERIAL OUT S.R.	118324	74HCT166D
U21	231555	IC, 4/8 BIT PARALLEL-INPUT LATCHED DRIVERS	160496	MIC5801BV
U22	231120	IC, 8-BIT, PARALLEL/SERIAL OUT S.R.	118324	74HCT166D
U23	231555	IC, 4/8 BIT PARALLEL-INPUT LATCHED DRIVERS	160496	MIC5801BV
U24	231120	IC, 8-BIT, PARALLEL/SERIAL OUT S.R.	118324	74HCT166D

User Manual 1260-38

405100 PCB, ASSY 1260-38

REF DESIG	RACAL INST P/N	DESCRIPTION	FSC	MANUFACTURER'S P/N
U25	231555	IC, 4/8 BIT PARALLEL-INPUT LATCHED DRIVERS	60496	MIC5801BV
U26	231120	IC, 8-BIT, PARALLEL/SERIAL OUT S.R.	18324	74HCT166D
U27	231555	IC, 4/8 BIT PARALLEL-INPUT LATCHED DRIVERS	60496	MIC5801BV
U28	231120	IC, 8-BIT, PARALLEL/SERIAL OUT S.R.	18324	74HCT166D
U29	231555	IC, 4/8 BIT PARALLEL-INPUT LATCHED DRIVERS	60496	MIC5801BV
U30	231120	IC, 8-BIT, PARALLEL/SERIAL OUT S.R.	18324	74HCT166D
U31	231555	IC, 4/8 BIT PARALLEL-INPUT LATCHED DRIVERS	60496	MIC5801BV
U32	231120	IC, 8-BIT, PARALLEL/SERIAL OUT S.R.	18324	74HCT166D
U33	231555	IC, 4/8 BIT PARALLEL-INPUT LATCHED DRIVERS	60496	MIC5801BV
U34	231120	IC, 8-BIT, PARALLEL/SERIAL OUT S.R.	18324	74HCT166D
U35	231555	IC, 4/8 BIT PARALLEL-INPUT LATCHED DRIVERS	60496	MIC5801BV
U36	231120	IC, 8-BIT, PARALLEL/SERIAL OUT S.R.	18324	74HCT166D
U37	231555	IC, 4/8 BIT PARALLEL-INPUT LATCHED DRIVERS	60496	MIC5801BV
U38	231120	IC, 8-BIT, PARALLEL/SERIAL OUT S.R.	18324	74HCT166D
U39	231555	IC, 4/8 BIT PARALLEL-INPUT LATCHED DRIVERS	60496	MIC5801BV
U40	231120	IC, 8-BIT, PARALLEL/SERIAL OUT S.R.	18324	74HCT166D
U53	231153-001	IC, PROGRAMMED, PAL	121793	231153-001
U54	231445	IC, 3-TO-8 LINE DECODER/MUX	18324	74HCT138D
U55	231445	IC, 3-TO-8 LINE DECODER/MUX	18324	74HCT138D
U56	231135	IC, DIGITAL, 4-BIT COMPARATOR	18324	PC74HCT85D
U57	231093	IC, QUAD COMPARATOR	104713	LM339D
U60	231120	IC, 8-BIT, PARALLEL/SERIAL OUT S.R.	18324	74HCT166D
U61	231131	IC, DIGITAL, SHIFT REGISTER	18324	PC74HCT164D
U62	231131	IC, DIGITAL, SHIFT REGISTER	18324	PC74HCT164D
U70	231152-002	IC, PROGRAMMED, PAL	121793	231152-002
U71	231147	IC, MULTIPLEXER	104713	74HC253D
U72	231147	IC, MULTIPLEXER	104713	74HC253D
U73	231096	IC, QUAD DIFF RECEIVER	101295	AM26LS32ACD
U74	231096	IC, QUAD DIFF RECEIVER	101295	AM26LS32ACD
U75	231125	IC, DIGITAL, LINE DRIVER	127014	DS26LS31MN
U76	231154	IC, PROGRAMMED PLA	121793	231154
U77	231147	IC, MULTIPLEXER	104713	74HC253D
U78	231445	IC, 3-TO-8 LINE DECODER/MUX	18324	74HCT138D
U79	231091	IC, OCTAL BUFFER	18324	74HC240D
U80	231091	IC, OCTAL BUFFER	18324	74HC240D
U81	231091	IC, OCTAL BUFFER	18324	74HC240D
U82	231119	IC, SHIFT REGISTER	18324	74HCT299D
U83	231147	IC, MULTIPLEXER	104713	74HC253D
Z1	080119	RES NETWORK, 220K	91637	SOMC-1603-224K
Z2	080117	RES NETWORK, 16P8R, 47K	73138	628-AL-473J
Z3	080119	RES NETWORK, 220K	91637	SOMC-1603-224K
Z4	080117	RES NETWORK, 16P8R, 47K	73138	628-AL-473J
Z5	080119	RES NETWORK, 220K	91637	SOMC-1603-224K
Z6	080117	RES NETWORK, 16P8R, 47K	73138	628-AL-473J
Z7	080119	RES NETWORK, 220K	91637	SOMC-1603-224K
Z8	080117	RES NETWORK, 16P8R, 47K	73138	628-AL-473J
Z9	080119	RES NETWORK, 220K	91637	SOMC-1603-224K
Z10	080117	RES NETWORK, 16P8R, 47K	73138	628-AL-473J
Z11	080119	RES NETWORK, 220K	91637	SOMC-1603-224K
Z12	080117	RES NETWORK, 16P8R, 47K	73138	628-AL-473J
Z13	080119	RES NETWORK, 220K	91637	SOMC-1603-224K
Z14	080117	RES NETWORK, 16P8R, 47K	73138	628-AL-473J
Z15	080119	RES NETWORK, 220K	91637	SOMC-1603-224K
Z16	080117	RES NETWORK, 16P8R, 47K	73138	628-AL-473J
Z17	080119	RES NETWORK, 220K	91637	SOMC-1603-224K
Z18	080117	RES NETWORK, 16P8R, 47K	73138	628-AL-473J
Z19	080119	RES NETWORK, 220K	91637	SOMC-1603-224K
Z20	080117	RES NETWORK, 16P8R, 47K	73138	628-AL-473J
Z21	080119	RES NETWORK, 220K	91637	SOMC-1603-224K

405100 PCB, ASSY 1260-38

REF DESIG	RACAL P/N	INST P/N	DESCRIPTION	FSC	MANUFACTURER'S P/N
Z22	080117		RES NETWORK, 16P8R, 47K	73138	628-AL-473J
Z23	080119		RES NETWORK, 220K	91637	SOMC-1603-224K
Z24	080117		RES NETWORK, 16P8R, 47K	73138	628-AL-473J
Z25	080119		RES NETWORK, 220K	91637	SOMC-1603-224K
Z26	080117		RES NETWORK, 16P8R, 47K	73138	628-AL-473J
Z27	080119		RES NETWORK, 220K	91637	SOMC-1603-224K
Z28	080117		RES NETWORK, 16P8R, 47K	73138	628-AL-473J
Z29	080119		RES NETWORK, 220K	91637	SOMC-1603-224K
Z30	080117		RES NETWORK, 16P8R, 47K	73138	628-AL-473J
Z31	080119		RES NETWORK, 220K	91637	SOMC-1603-224K
Z32	080117		RES NETWORK, 16P8R, 47K	73138	628-AL-473J
Z33	080119		RES NETWORK, 220K	91637	SOMC-1603-224K
Z34	080117		RES NETWORK, 16P8R, 47K	73138	628-AL-473J
Z35	080119		RES NETWORK, 220K	91637	SOMC-1603-224K
Z36	080117		RES NETWORK, 16P8R, 47K	73138	628-AL-473J
Z37	080119		RES NETWORK, 220K	91637	SOMC-1603-224K
Z38	080117		RES NETWORK, 16P8R, 47K	73138	628-AL-473J
Z39	080119		RES NETWORK, 220K	91637	SOMC-1603-224K
Z40	080117		RES NETWORK, 16P8R, 47K	73138	628-AL-473J
Z127	080114		RES NETWORK, 16P8R, 15K	73138	628-AL-153J
Z128	080120		RES NETWORK, 10K	11236	767-161R10K
{58}1	401951		PCB ASSY., LBUS JUMPER	121793	401951
{59}1	401951-003		PCB ASSY., P3 JUMPER	121793	401951-003
{60}1	415100		PCB, 1260-38 (UNLOADED)	121793	415100
{64}A/R	500022		WIRE, BARE COPPER/TIN, 22 GA	121793	500022
{81}2	611367		STANDOFF, ROUND SWAGE, M3X0.5X4.3	06540	21003B-B-0350-28(L4.3)
{82}1	611366		STANDOFF, ROUND SWAGE, M3X0.5X19	06540	21017-B-0350-28

User Manual 1260-38

407407 - 160 PIN CONNECTOR KIT W/BACKSHELL

REF DESIG	RACAL P/N	INST P/N	DESCRIPTION	PSC	MANUFACTURER'S P/N
{4}1	1456437-001		BRACKET, STIFFENER, TOP	121793	1456437-001
{5}1	1456437-002		BRACKET, STIFFENER, BOTTOM	121793	1456437-002
{6}1	1456439		STRAIN RELIEF	121793	1456439
{7}1	1456440		PLATE, SHELL MOUNTING	121793	1456440
{10}1	1602255-001		HOUSING CABLE, MODIFIED	121793	1602255-001
{11}1	1602258-116		CONNECTOR, CABLE, RECEPTACLE, 160 PIN	16V439	1024070
{12}160	1602258-900		TERMINAL, CRIMP, SNAP-IN, 26-20 GA	16V439	1014728
{15}2	1616252		SCREW, PPH, SEMS ASSY, 4-40X.312	178189	SEMS W/SQ CONE WA.
{16}2	1616254		SCREW, PPH, SEMS ASSY., 4-40 X .500	178189	SEMS W/SQ CONE WA.
{20}2	1456502		SPONGE, PRESSURE, 1260-38	121793	1456502
{24}1	1980785		INSTRUCTION SHEET, 160 PIN KIT	121793	1980785

407408,407409 - 160 PIN CABLE ASSY, 24G

REF DESIG	RACAL INST P/N	DESCRIPTION	FSC	MANUFACTURER'S P/N
{4}1	456437-001	BRACKET, STIFFENER, TOP	21793	456437-001
{5}1	456437-002	BRACKET, STIFFENER, BOTTOM	21793	456437-002
{6}1	456439	STRAIN RELIEF	21793	456439
{7}1	456440	PLATE, SHELL MOUNTING	21793	456440
{10}1	602255-001	HOUSING CABLE, MODIFIED	21793	602255-001
{11}1	602258-116	CONNECTOR, CABLE, RECEPTACLE, 160 PIN	6V439	1024070
{12}160	602258-900	TERMINAL, CRIMP, SNAP-IN, 26-20 GA	6V439	1014728
{15}2	616252	SCREW, PPH, SEMS ASSY, 4-40X.312	78189	SEMS W/SQ CONE WA.
{16}1	616254	SCREW, PPH, SEMS ASSY., 4-40 X .500	78189	SEMS W/SQ CONE WA.
{18}A/R	1500319	CABLE, 40 CONDUCTOR, 24 GA UNSHIELDED	92194	15020/80C
{19}2	456502	SPONGE, PRESSURE, 1260-38	21793	456502
{22}A/R	M23053/5-109-0	SLEEVING, INSUL. HEAT SHRINK, .75D, CLR	81349	M23053/5-109-0
{24}A/R	M23053/5-109-4	SLEEVING, INSUL. HEAT SHRINK, .75D, YEL	81349	M23053/5-109-4

List of Suppliers

FSC	SUPPLIER	FSC	SUPPLIERS
00779	AMP, INC. HARRISBURG, PA	73138	BECKMAN INSTRUMENTS FULLERTON, CA
01121	ALLEN BRADLEY CO. MILWAUKEE, WI	78189	ILLINOIS TOOL WORKS, INC. (SHAKEPROOF DIV.) ELGIN, IL
01295	TEXAS INSTRUMENTS, INC. DALLAS, TX	91637	DALE ELECTRONICS, INC. COLUMBUS, NE
04222	AEROVOX CORP. (HI-Q DIV.) MYRTLE BEACH, SC	92194	ALPHA WIRE ELIZABETH, NJ
04713	MOTOROLA, INC. (SEMICONDUCTOR PRODUCTS DIV.) PHOENIX, AZ	95275	VITRAMON, INC. BRIDGEPORT, CT
05397	UNION CARBIDE CORP. (MATERIALS SYSTEMS DIV.) CLEVELAND, OH		
06540	AMATOM ELECTRONIC HARDWARE NEW ROCHELLE, NY		
11236	CTS OF BERNE, INC. BERNE, IN		
18324	SIGNETICS, INC. SUNNYVALE, CA		
21793	RACAL INSTRUMENTS INC. IRVINE, CA		
27014	NATIONAL SEMI-CONDUCTOR CORP. SANTA CLARA, CA		
52072	CIRCUIT ASSY. CORP. COSTA MESA, CA		
52210	GETTING ENGRG. & MFG. CO. SPRING MILLS, PA		
53387	THREE M (3M) CO. ST. PAUL, MN		
58730	THOMAS & BETTS CO. ELIZABETH, NJ		
60496	MICREL INC. SUNNYVALE, CA		
61529	AROMAT CORP. CUPERTINO, CA		
62559	SCHROFF, INC. WARWICK, RI		
65832	AMERICAN RESEARCH & ENGINEERING ELGIN, IL		
6V439	ERNI COMPONENTS INC. RICHMOND, VA		

This page was left intentionally blank.

Chapter 6

OPTIONAL HARNESS ASSEMBLIES

The following harness assemblies are used to connect Racal Instruments Model 1260-38 to Freedom Series Test Receiver Interfaces.

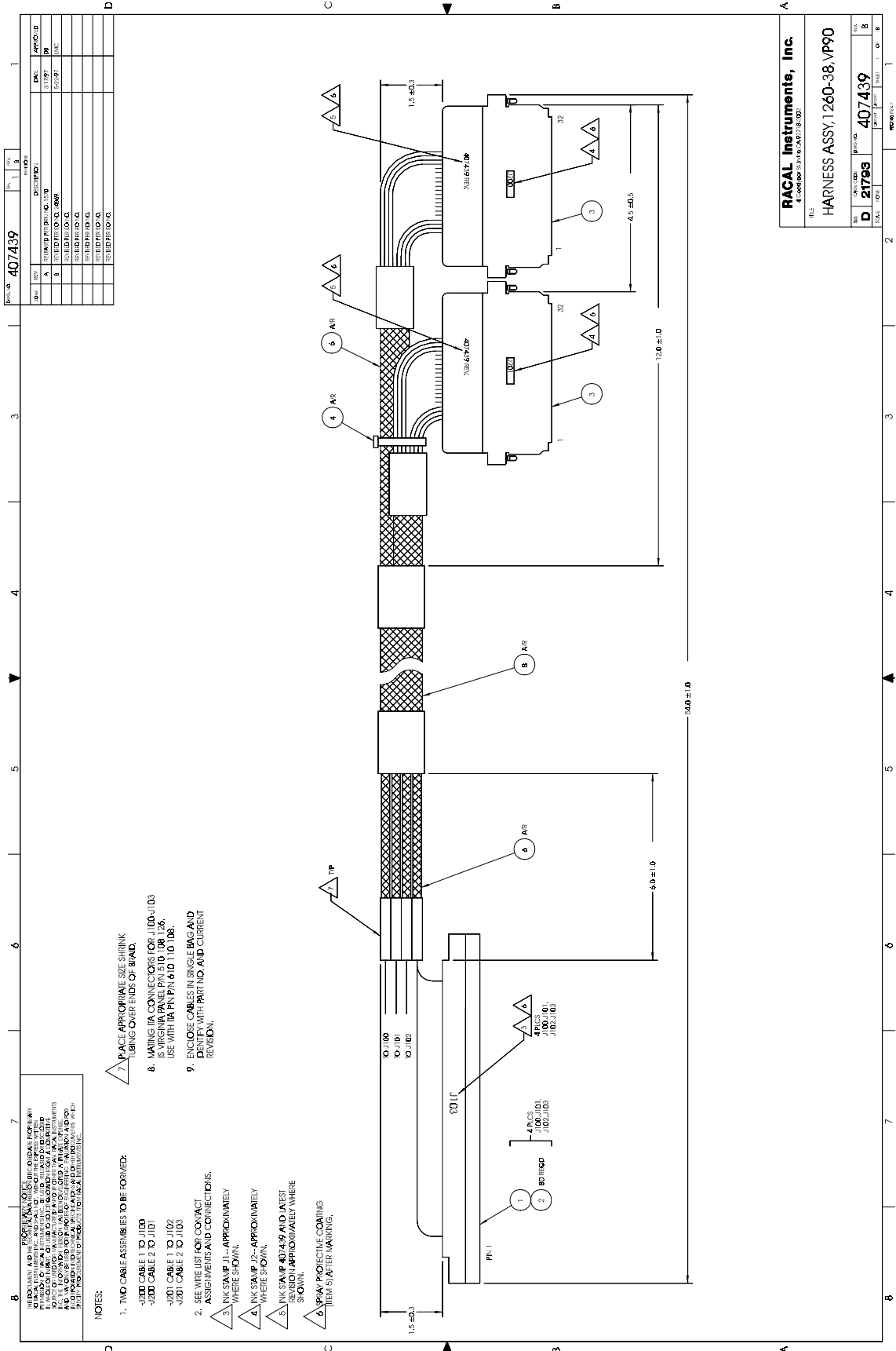
Each harness documentation consists of an assembly drawing, parts list, system wire list and wire list

407439 Virginia Panel, Inc. Series VP90 Interface Harness

407440 TTI, Testron, Inc. Interface Harness

For more information on Racal Instruments complete line of Test Receiver Interface solutions, contact your Sales Representative.

This page was left intentionally blank.



ENGINEERING WIRE LIST

WIRE	FROM	TO	TYPE	PART #	WIRE LEN	REFERENCE
	BLK AA (J100)	Uxx-SLOT yy (J200)	CABLE	407439		SYSTEM WIRE LIST
	BLK AA (J101)	Uxx-SLOT yy (J200)	CABLE	407439		
	BLK AA (J102)	Uxx-SLOT yy (J201)	CABLE	407439		
	BLK AA (J103)	Uxx-SLOT yy (J201)	CABLE	407439		
<p>This system wirelist serves as a template for incorporating this harness assembly into the overall system wirelist. It does not in any way affect the fabrication of this harness assembly.</p>						

DOC. NO. 140/439

RACAL Instruments, Inc., 4 Goodyear St., Irvine, CA 92718			
DOCUMENT TITLE	SIZE	CODE NO.	DOCUMENT NO.
HARNESS ASSY, 1260-38, VP90	A	21793	407439
	DRN		SHEET 3 of 18
			REV B

ENGINEERING WIRE LIST

WIRE	FROM	TO	TYPE	PART #	WIRE LEN	REFERENCE
1	J100-1 602201-906	J200-31a	WHT/BLK ORN/VIO	407408 CABLE 1	54"	0000 HI
2	J100-2 602201-906	J200-32a	WHT/BLK YEL/GRY	407408 CABLE 1	54"	0000 LO
3	J100-3 602201-906	J200-31b	WHT/BLK ORN/GRY	407408 CABLE 1	54"	0001 HI
4	J100-4 602201-906	J200-32b	WHT/BLK GRN/BLU	407408 CABLE 1	54"	0001 LO
5	J100-5 602201-906	J200-31d	WHT/BLK YEL/BLU	407408 CABLE 1	54"	0002 HI
6	J100-6 602201-906	J200-32d	WHT/BLK GRN/GRY	407408 CABLE 1	54"	0002 LO
7	J100-7 602201-906	J200-31e	WHT/BLK YEL/VIO	407408 CABLE 1	54"	0003 HI
8	J100-8 602201-906	J200-32e	WHT/BLK BLU/VIO	407408 CABLE 1	54"	0003 LO
9	J100-9 602201-906	J200-29a	WHT/BLK BRN/VIO	407408 CABLE 1	54"	0004 HI
10	J100-10 602201-906	J200-30a	WHT/BLK RED/VIO	407408 CABLE 1	54"	0004 LO
11	J100-11 602201-906	J200-29b	WHT/BLK BRN/GRY	407408 CABLE 1	54"	0005 HI
12	J100-12 602201-906	J200-30b	WHT/BLK RED/GRY	407408 CABLE 1	54"	0005 LO
13	J100-13 602201-906	J200-29d	WHT/BLK RED/GRN	407408 CABLE 1	54"	0006 HI
14	J100-14 602201-906	J200-30d	WHT/BLK ORN/GRN	407408 CABLE 1	54"	0006 LO
15	J100-15 602201-906	J200-29e	WHT/BLK RED/BLU	407408 CABLE 1	54"	0007 HI
16	J100-16 602201-906	J200-30e	WHT/BLK ORN/BLU	407408 CABLE 1	54"	0007 LO
17	J100-17 602201-906	J200-27a	WHT/GRN VIO	407408 CABLE 1	54"	0010 HI
18	J100-18 602201-906	J200-28a	WHT/BLK BRN/RED	407408 CABLE 1	54"	0010 LO
19	J100-19 602201-906	J200-27b	WHT/GRN GRY	407408 CABLE 1	54"	0011 HI
20	J100-20 602201-906	J200-28b	WHT/BLK BRN/ORN	407408 CABLE 1	54"	0011 LO
21	J100-21 602201-906	J200-27d	WHT/BLU GRY	407408 CABLE 1	54"	0012 HI
22	J100-22 602201-906	J200-28d	WHT/BLK BRN/GRN	407408 CABLE 1	54"	0012 LO
23	J100-23 602201-906	J200-27e	WHT/VIO GRY	407408 CABLE 1	54"	0013 HI
24	J100-24 602201-906	J200-28e	WHT/BLK BRN/BLU	407408 CABLE 1	54"	0013 LO
25	J100-25 602201-906	J200-25a	WHT/ORN YEL	407408 CABLE 1	54"	0014 HI
RACAL Instruments, Inc., 4 Goodyear St., Irvine, CA 92718						
DOCUMENT TITLE			SIZE	CODE NO.	DOCUMENT NO.	REV
HARNESS ASSEMBLY, 1260-38, VP90			A	21793	407439	B
			DRN	SHEET 4 of 18		

DOC. NO. 407439

ENGINEERING WIRE LIST

WIRE	FROM	TO	TYPE	PART #	WIRE LEN	REFERENCE
26	J100-26 602201-906	J200-26a	WHT/YEL GRN	407408 CABLE 1	54"	0014 LO
27	J100-27 602201-906	J200-25b	WHT/ORN GRN	407408 CABLE 1	54"	0015 HI
28	J100-28 602201-906	J200-26b	WHT/YEL BLU	407408 CABLE 1	54"	0015 LO
29	J100-29 602201-906	J200-25d	WHT/ORN VIO	407408 CABLE 1	54"	0016 HI
30	J100-30 602201-906	J200-26d	WHT/YEL GRY	407408 CABLE 1	54"	0016 LO
31	J100-31 602201-906	J200-25e	WHT/ORN GRY	407408 CABLE 1	54"	0017 HI
32	J100-32 602201-906	J200-26e	WHT/GRN BLU	407408 CABLE 1	54"	0017 LO
33	J100-33 602201-906	J200-23a	WHT/BRN GRN	407408 CABLE 1	54"	0020 HI
34	J100-34 602201-906	J200-24a	WHT/RED YEL	407408 CABLE 1	54"	0020 LO
35	J100-35 602201-906	J200-23b	WHT/BRN BLU	407408 CABLE 1	54"	0021 HI
36	J100-36 602201-906	J200-24b	WHT/RED GRN	407408 CABLE 1	54"	0021 LO
37	J100-37 602201-906	J200-23d	WHT/BRN GRY	407408 CABLE 1	54"	0022 HI
38	J100-38 602201-906	J200-24d	WHT/RED VIO	407408 CABLE 1	54"	0022 LO
39	J100-39 602201-906	J200-23e	WHT/RED ORN	407408 CABLE 1	54"	0023 HI
40	J100-40 602201-906	J200-24e	WHT/RED GRY	407408 CABLE 1	54"	0023 LO
41	J100-41 602201-906	J200-21a	WHT/BLK RED	407408 CABLE 1	54"	0024 HI
42	J100-42 602201-906	J200-22a	WHT/BLK VIO	407408 CABLE 1	54"	0024 LO
43	J100-43 602201-906	J200-21b	WHT/BLK ORN	407408 CABLE 1	54"	0025 HI
44	J100-44 602201-906	J200-22b	WHT/BLK GRY	407408 CABLE 1	54"	0025 LO
45	J100-45 602201-906	J200-21d	WHT/BLK GRN	407408 CABLE 1	54"	0026 HI
46	J100-46 602201-906	J200-22d	WHT/BRN ORN	407408 CABLE 1	54"	0026 LO
47	J100-47 602201-906	J200-21e	WHT/BLK BLU	407408 CABLE 1	54"	0027 HI
48	J100-48 602201-906	J200-22e	WHT/BRN YEL	407408 CABLE 1	54"	0027 LO
49	J100-49 602201-906	J200-19a	WHT/BLK	407408 CABLE 1	54"	0030 HI
50	J100-50 602201-906	J200-20a	WHT/GRN	407408 CABLE 1	54"	0030 LO
RACAL Instruments, Inc., 4 Goodyear St., Irvine, CA 92718						
DOCUMENT TITLE			SIZE	CODE NO.	DOCUMENT NO.	REV
HARNESS ASSEMBLY, 1260-38, VP90			A	21793	407439	B
			DRN			SHEET 5 of 18

DOC. NO. 407439

ENGINEERING WIRE LIST

WIRE	FROM	TO	TYPE	PART #	WIRE LEN	REFERENCE
51	J100-51 602201-906	J200-19b	WHT/BRN	407408 CABLE 1	54"	0031 HI
52	J100-52 602201-906	J200-20b	WHT/BLU	407408 CABLE 1	54"	0031 LO
53	J100-53 602201-906	J200-19d	WHT/ORN	407408 CABLE 1	54"	0032 HI
54	J100-54 602201-906	J200-20d	WHT/GRY	407408 CABLE 1	54"	0032 LO
55	J100-55 602201-906	J200-19e	WHT/YEL	407408 CABLE 1	54"	0033 HI
56	J100-56 602201-906	J200-20e	WHT/BLK BRN	407408 CABLE 1	54"	0033 LO
57	J100-57 602201-906	J200-17a	BLK	407408 CABLE 1	54"	0034 HI
58	J100-58 602201-906	J200-18a	GRN	407408 CABLE 1	54"	0034 LO
59	J100-59 602201-906	J200-17b	BRN	407408 CABLE 1	54"	0035 HI
60	J100-60 602201-906	J200-18b	BLU	407408 CABLE 1	54"	0035 LO
61	J100-61 602201-906	J200-17d	ORN	407408 CABLE 1	54"	0036 HI
62	J100-62 602201-906	J200-18d	GRY	407408 CABLE 1	54"	0036 LO
63	J100-63 602201-906	J200-17e	YEL	407408 CABLE 1	54"	0037 HI
64	J100-64 602201-906	J200-18e	WHT	407408 CABLE 1	54"	0037 LO
65	J100-65 602201-906	J200-31c	WHT/BLK YEL/GRN	407408 CABLE 1	54"	COM00 HI
66	J100-66 602201-906	J200-32c	WHT/BLK GRN/VIO	407408 CABLE 1	54"	COM00 LO
67	J100-67 602201-906	J200-25c	WHT/ORN BLU	407408 CABLE 1	54"	COM01 HI
68	J100-68 602201-906	J200-26c	WHT/YEL VIO	407408 CABLE 1	54"	COM01 LO
69	J100-69 602201-906	J200-23c	WHT/BRN VIO	407408 CABLE 1	54"	COM02 HI
70	J100-70 602201-906	J200-24c	WHT/RED BLU	407408 CABLE 1	54"	COM02 LO
71	J100-71 602201-906	J200-17c	RED	407408 CABLE 1	54"	COM03 HI
72	J100-72 602201-906	J200-18c	VIO	407408 CABLE 1	54"	COM03 LO
73	J100-73 602201-906	J200-27c	WHT/BLU VIO	407408 CABLE 1	54"	COM00R HI
74	J100-74 602201-906	J200-28c	WHT/BLK BRN/YEL	407408 CABLE 1	54"	COM00R LO
75	J100-75 602201-906	J200-19c	WHT/RED	407408 CABLE 1	54"	COM02R HI
RACAL Instruments, Inc., 4 Goodyear St., Irvine, CA 92718						
DOCUMENT TITLE			SIZE	CODE NO.	DOCUMENT NO.	REV
HARNESS ASSEMBLY, 1260-38, VP90			A	21793	407439	B
DRN					SHEET 6 of 18	

DOC. NO. 407439

ENGINEERING WIRE LIST

WIRE	FROM	TO	TYPE	PART #	WIRE LEN	REFERENCE
76	J100-76 602201-906	J200-20c	WHT/VIO	407408 CABLE 1	54"	COM02R LO
77	J100-77 602201-906	J200-30c	WHT/BLK ORN/YEL	407408 CABLE 1	54"	COM001W
78	J100-78 602201-906	J200-29c	WHT/BLK RED/YEL	407408 CABLE 1	54"	COM001WR
79	J100-79 602201-906	J200-22c	WHT/BRN RED	407408 CABLE 1	54"	COM021W
80	J100-80 602201-906	J200-21c	WHT/BLK YEL	407408 CABLE 1	54"	COM021WR
81	J100-81	NO CONNECT				
82	J100-82	NO CONNECT				
83	J100-83	NO CONNECT				
84	J100-84	NO CONNECT				
85	J100-85	NO CONNECT				
86	J100-86	NO CONNECT				
87	J100-87	NO CONNECT				
88	J100-88	NO CONNECT				
89	J100-89	NO CONNECT				
90	J100-90	NO CONNECT				
91	J100-91	NO CONNECT				
92	J100-92	NO CONNECT				
93	J100-93	NO CONNECT				
94	J100-94	NO CONNECT				
95	J100-95	NO CONNECT				
96	J100-96	NO CONNECT				
97	J101-1 602201-906	J200-15a	WHT/BLK ORN/VIO	407408 CABLE 2	54"	0040 HI
98	J101-2 602201-906	J200-16a	WHT/BLK YEL/GRY	407408 CABLE 2	54"	0040 LO
99	J101-3 602201-906	J200-15b	WHT/BLK ORN/GRY	407408 CABLE 2	54"	0041 HI
110	J101-4 602201-906	J200-16b	WHT/BLK GRN/BLU	407408 CABLE 2	54"	0041 LO
101	J101-5 602201-906	J200-15d	WHT/BLK YEL/BLU	407408 CABLE 2	54"	0042 HI
102	J101-6 602201-906	J200-16d	WHT/BLK GRN/GRY	407408 CABLE 2	54"	0042 LO
103	J101-7 602201-906	J200-15e	WHT/BLK YEL/VIO	407408 CABLE 2	54"	0043 HI
104	J101-8 602201-906	J200-16e	WHT/BLK BLU/VIO	407408 CABLE 2	54"	0043 LO
105	J101-9 602201-906	J200-13a	WHT/BLK BRN/VIO	407408 CABLE 2	54"	0044 HI
106	J101-10 602201-906	J200-14a	WHT/BLK RED/VIO	407408 CABLE 2	54"	0044 LO
RACAL Instruments, Inc., 4 Goodyear St., Irvine, CA 92718						
DOCUMENT TITLE			SIZE	CODE NO.	DOCUMENT NO.	REV
HARNESS ASSEMBLY, 1260-38, VP90			A	21793	407439	B
			DRN	SHEET 7 of 18		

DOC. NO. 407439

ENGINEERING WIRE LIST

WIRE	FROM	TO	TYPE	PART #	WIRE LEN	REFERENCE
107	J101-11 602201-906	J200-13b	WHT/BLK BRN/GRY	407408 CABLE 2	54"	0045 HI
108	J101-12 602201-906	J200-14b	WHT/BLK RED/GRY	407408 CABLE 2	54"	0045 LO
109	J101-13 602201-906	J200-13d	WHT/BLK RED/GRN	407408 CABLE 2	54"	0046 HI
100	J101-14 602201-906	J200-14d	WHT/BLK ORN/GRN	407408 CABLE 2	54"	0046 LO
111	J101-15 602201-906	J200-13e	WHT/BLK RED/BLU	407408 CABLE 2	54"	0047 HI
112	J101-16 602201-906	J200-14e	WHT/BLK ORN/BLU	407408 CABLE 2	54"	0047 LO
113	J101-17 602201-906	J200-11a	WHT/GRN VIO	407408 CABLE 2	54"	0050 HI
114	J101-18 602201-906	J200-12a	WHT/BLK BRN/RED	407408 CABLE 2	54"	0050 LO
115	J101-19 602201-906	J200-11b	WHT/GRN GRY	407408 CABLE 2	54"	0051 HI
116	J101-20 602201-906	J200-12b	WHT/BLK BRN/ORN	407408 CABLE 2	54"	0051 LO
117	J101-21 602201-906	J200-11d	WHT/BLU GRY	407408 CABLE 2	54"	0052 HI
118	J101-22 602201-906	J200-12d	WHT/BLK BRN/GRN	407408 CABLE 2	54"	0052 LO
119	J101-23 602201-906	J200-11e	WHT/VIO GRY	407408 CABLE 2	54"	0053 HI
120	J101-24 602201-906	J200-12e	WHT/BLK BRN/BLU	407408 CABLE 2	54"	0053 LO
121	J101-25 602201-906	J200-9a	WHT/ORN YEL	407408 CABLE 2	54"	0054 HI
122	J101-26 602201-906	J200-10a	WHT/YEL GRN	407408 CABLE 2	54"	0054 LO
123	J101-27 602201-906	J200-9b	WHT/ORN GRN	407408 CABLE 2	54"	0055 HI
124	J101-28 602201-906	J200-10b	WHT/YEL BLU	407408 CABLE 2	54"	0055 LO
125	J101-29 602201-906	J200-9d	WHT/ORN VIO	407408 CABLE 2	54"	0056 HI
126	J101-30 602201-906	J200-10d	WHT/YEL GRY	407408 CABLE 2	54"	0056 LO
127	J101-31 602201-906	J200-9e	WHT/ORN GRY	407408 CABLE 2	54"	0057 HI
128	J101-32 602201-906	J200-10e	WHT/GRN BLU	407408 CABLE 2	54"	0057 LO
129	J101-33 602201-906	J200-7a	WHT/BRN GRN	407408 CABLE 2	54"	0060 HI
130	J101-34 602201-906	J200-8a	WHT/RED YEL	407408 CABLE 2	54"	0060 LO
131	J101-35 602201-906	J200-7b	WHT/BRN BLU	407408 CABLE 2	54"	0061 HI
RACAL Instruments, Inc., 4 Goodyear St., Irvine, CA 92718						
DOCUMENT TITLE			SIZE	CODE NO.	DOCUMENT NO.	REV
HARNESS ASSEMBLY, 1260-38, VP90			A	21793	407439	B
DRN					SHEET 8 of 18	

DOC. NO. 407439

ENGINEERING WIRE LIST

WIRE	FROM	TO	TYPE	PART #	WIRE LEN	REFERENCE
132	J101-36 602201-906	J200-8b	WHT/RED GRN	407408 CABLE 2	54"	0061 LO
133	J101-37 602201-906	J200-7d	WHT/BRN GRY	407408 CABLE 2	54"	0062 HI
134	J101-38 602201-906	J200-8d	WHT/RED VIO	407408 CABLE 2	54"	0062 LO
135	J101-39 602201-906	J200-7e	WHT/RED ORN	407408 CABLE 2	54"	0063 HI
136	J101-40 602201-906	J200-8e	WHT/RED GRY	407408 CABLE 2	54"	0063 LO
137	J101-41 602201-906	J200-5a	WHT/BLK RED	407408 CABLE 2	54"	0064 HI
138	J101-42 602201-906	J200-6a	WHT/BLK VIO	407408 CABLE 2	54"	0064 LO
139	J101-43 602201-906	J200-5b	WHT/BLK ORN	407408 CABLE 2	54"	0065 HI
140	J101-44 602201-906	J200-6b	WHT/BLK GRY	407408 CABLE 2	54"	0065 LO
141	J101-45 602201-906	J200-5d	WHT/BLK GRN	407408 CABLE 2	54"	0066 HI
142	J101-46 602201-906	J200-6d	WHT/BRN ORN	407408 CABLE 2	54"	0066 LO
143	J101-47 602201-906	J200-5e	WHT/BLK BLU	407408 CABLE 2	54"	0067 HI
144	J101-48 602201-906	J200-6e	WHT/BRN YEL	407408 CABLE 2	54"	0067 LO
145	J101-49 602201-906	J200-3a	WHT/BLK	407408 CABLE 2	54"	0070 HI
146	J101-50 602201-906	J200-4a	WHT/GRN	407408 CABLE 2	54"	0070 LO
147	J101-51 602201-906	J200-3b	WHT/BRN	407408 CABLE 2	54"	0071 HI
148	J101-52 602201-906	J200-4b	WHT/BLU	407408 CABLE 2	54"	0071 LO
149	J101-53 602201-906	J200-3d	WHT/ORN	407408 CABLE 2	54"	0072 HI
150	J101-54 602201-906	J200-4d	WHT/GRY	407408 CABLE 2	54"	0072 LO
151	J101-55 602201-906	J200-3e	WHT/YEL	407408 CABLE 2	54"	0073 HI
152	J101-56 602201-906	J200-4e	WHT/BLK BRN	407408 CABLE 2	54"	0073 LO
153	J101-57 602201-906	J200-1a	BLK	407408 CABLE 2	54"	0074 HI
154	J101-58 602201-906	J200-2a	GRN	407408 CABLE 2	54"	0074 LO
155	J101-59 602201-906	J200-1b	BRN	407408 CABLE 2	54"	0075 HI
156	J101-60 602201-906	J200-2b	BLU	407408 CABLE 2	54"	0075 LO

DOC. NO. 407439

RACAL Instruments, Inc., 4 Goodyear St., Irvine, CA 92718

DOCUMENT TITLE	SIZE	CODE NO.	DOCUMENT NO.	REV
HARNESS ASSEMBLY, 1260-38, VP90	A	21793	407439	B
	DRN			SHEET 9 of 18

ENGINEERING WIRE LIST

WIRE	FROM	TO	TYPE	PART #	WIRE LEN	REFERENCE
157	J101-61 602201-906	J200-1d	ORN	407408 CABLE 2	54"	0076 HI
158	J101-62 602201-906	J200-2d	GRY	407408 CABLE 2	54"	0076 LO
159	J101-63 602201-906	J200-1e	YEL	407408 CABLE 2	54"	0077 HI
160	J101-64 602201-906	J200-2e	WHT	407408 CABLE 2	54"	0077 LO
161	J101-65 602201-906	J200-15c	WHT/BLK YEL/GRN	407408 CABLE 2	54"	COM04 HI
162	J101-66 602201-906	J200-16c	WHT/BLK GRN/VIO	407408 CABLE 2	54"	COM04 LO
163	J101-67 602201-906	J200-9c	WHT/ORN BLU	407408 CABLE 2	54"	COM05 HI
164	J101-68 602201-906	J200-10c	WHT/YEL VIO	407408 CABLE 2	54"	COM05 LO
165	J101-69 602201-906	J200-7c	WHT/BRN VIO	407408 CABLE 2	54"	COM06 HI
166	J101-70 602201-906	J200-8c	WHT/RED BLU	407408 CABLE 2	54"	COM06 LO
167	J101-71 602201-906	J200-1c	RED	407408 CABLE 2	54"	COM07 HI
168	J101-72 602201-906	J200-2c	VIO	407408 CABLE 2	54"	COM07 LO
169	J101-73 602201-906	J200-11c	WHT/BLU VIO	407408 CABLE 2	54"	COM04R HI
170	J101-74 602201-906	J200-12c	WHT/BLK BRN/YEL	407408 CABLE 2	54"	COM04R LO
171	J101-75 602201-906	J200-3c	WHT/RED	407408 CABLE 2	54"	COM06R HI
172	J101-76 602201-906	J200-4c	WHT/VIO	407408 CABLE 2	54"	COM06R LO
173	J101-77 602201-906	J200-14c	WHT/BLK ORN/YEL	407408 CABLE 2	54"	COM041W
174	J101-78 602201-906	J200-13c	WHT/BLK RED/YEL	407408 CABLE 2	54"	COM041WR
175	J101-79 602201-906	J200-6c	WHT/BRN RED	407408 CABLE 2	54"	COM061W
176	J101-80 602201-906	J200-5c	WHT/BLK YEL	407408 CABLE 2	54"	COM061WR
177	J101-81	NO CONNECT				
178	J101-82	NO CONNECT				
179	J101-83	NO CONNECT				
180	J101-84	NO CONNECT				
181	J101-85	NO CONNECT				
182	J101-86	NO CONNECT				
183	J101-87	NO CONNECT				
184	J101-88	NO CONNECT				
RACAL Instruments, Inc., 4 Goodyear St., Irvine, CA 92718						
DOCUMENT TITLE			SIZE	CODE NO.	DOCUMENT NO.	REV
HARNESS ASSEMBLY, 1260-38, VP90			A	21793	407439	B
			DRN	SHEET 10 of 18		

DOC. NO. 407439

ENGINEERING WIRE LIST

WIRE	FROM	TO	TYPE	PART #	WIRE LEN	REFERENCE
185	J101-89	NO CONNECT				
186	J101-90	NO CONNECT				
187	J101-91	NO CONNECT				
188	J101-92	NO CONNECT				
189	J101-93	NO CONNECT				
190	J101-94	NO CONNECT				
191	J101-95	NO CONNECT				
192	J101-96	NO CONNECT				
193	J102-1 602201-906	J201-31a	WHT/BLK ORN/VIO	407408 CABLE 1	54"	0080 HI
194	J102-2 602201-906	J201-32a	WHT/BLK YEL/GRY	407408 CABLE 1	54"	0080 LO
195	J102-3 602201-906	J201-31b	WHT/BLK ORN/GRY	407408 CABLE 1	54"	0081 HI
196	J102-4 602201-906	J201-32b	WHT/BLK GRN/BLU	407408 CABLE 1	54"	0081 LO
197	J102-5 602201-906	J201-31d	WHT/BLK YEL/BLU	407408 CABLE 1	54"	0082 HI
198	J102-6 602201-906	J201-32d	WHT/BLK GRN/GRY	407408 CABLE 1	54"	0082 LO
199	J102-7 602201-906	J201-31e	WHT/BLK YEL/VIO	407408 CABLE 1	54"	0083 HI
200	J102-8 602201-906	J201-32e	WHT/BLK BLU/VIO	407408 CABLE 1	54"	0083 LO
201	J102-9 602201-906	J201-29a	WHT/BLK BRN/VIO	407408 CABLE 1	54"	0084 HI
202	J102-10 602201-906	J201-30a	WHT/BLK RED/VIO	407408 CABLE 1	54"	0084 LO
203	J102-11 602201-906	J201-29b	WHT/BLK BRN/GRY	407408 CABLE 1	54"	0085 HI
204	J102-12 602201-906	J201-30b	WHT/BLK RED/GRY	407408 CABLE 1	54"	0085 LO
205	J102-13 602201-906	J201-29d	WHT/BLK RED/GRN	407408 CABLE 1	54"	0086 HI
206	J102-14 602201-906	J201-30d	WHT/BLK ORN/GRN	407408 CABLE 1	54"	0086 LO
207	J102-15 602201-906	J201-29e	WHT/BLK RED/BLU	407408 CABLE 1	54"	0087 HI
208	J102-16 602201-906	J201-30e	WHT/BLK ORN/BLU	407408 CABLE 1	54"	0087 LO
209	J102-17 602201-906	J201-27a	WHT/GRN VIO	407408 CABLE 1	54"	0090 HI
210	J102-18 602201-906	J201-28a	WHT/BLK BRN/RED	407408 CABLE 1	54"	0090 LO
211	J102-19 602201-906	J201-27b	WHT/GRN GRY	407408 CABLE 1	54"	0091 HI
212	J102-20 602201-906	J201-28b	WHT/BLK BRN/ORN	407408 CABLE 1	54"	0091 LO

DOC. NO. 407439

RACAL Instruments, Inc., 4 Goodyear St., Irvine, CA 92718

DOCUMENT TITLE		SIZE	CODE NO.	DOCUMENT NO.	REV
HARNESS ASSEMBLY, 1260-38, VP90		A	21793	407439	B
DRN		SHEET 11 of 18			

ENGINEERING WIRE LIST

WIRE	FROM	TO	TYPE	PART #	WIRE LEN	REFERENCE
213	J102-21 602201-906	J201-27d	WHT/BLU GRY	407408 CABLE 1	54"	0092 HI
214	J102-22 602201-906	J201-28d	WHT/BLK BRN/GRN	407408 CABLE 1	54"	0092 LO
215	J102-23 602201-906	J201-27e	WHT/VIO GRY	407408 CABLE 1	54"	0093 HI
216	J102-24 602201-906	J201-28e	WHT/BLK BRN/BLU	407408 CABLE 1	54"	0093 LO
217	J102-25 602201-906	J201-25a	WHT/ORN YEL	407408 CABLE 1	54"	0094 HI
218	J102-26 602201-906	J201-26a	WHT/YEL GRN	407408 CABLE 1	54"	0094 LO
219	J102-27 602201-906	J201-25b	WHT/ORN GRN	407408 CABLE 1	54"	0095 HI
220	J102-28 602201-906	J201-26b	WHT/YEL BLU	407408 CABLE 1	54"	0095 LO
221	J102-29 602201-906	J201-25d	WHT/ORN VIO	407408 CABLE 1	54"	0096 HI
222	J102-30 602201-906	J201-26d	WHT/YEL GRY	407408 CABLE 1	54"	0096 LO
223	J102-31 602201-906	J201-25e	WHT/ORN GRY	407408 CABLE 1	54"	0097 HI
224	J102-32 602201-906	J201-26e	WHT/GRN BLU	407408 CABLE 1	54"	0097 LO
225	J102-33 602201-906	J201-23a	WHT/BRN GRN	407408 CABLE 1	54"	0100 HI
226	J102-34 602201-906	J201-24a	WHT/RED YEL	407408 CABLE 1	54"	0100 LO
227	J102-35 602201-906	J201-23b	WHT/BRN BLU	407408 CABLE 1	54"	0101 HI
228	J102-36 602201-906	J201-24b	WHT/RED GRN	407408 CABLE 1	54"	0101 LO
229	J102-37 602201-906	J201-23d	WHT/BRN GRY	407408 CABLE 1	54"	0102 HI
230	J102-38 602201-906	J201-24d	WHT/RED VIO	407408 CABLE 1	54"	0102 LO
231	J102-39 602201-906	J201-23e	WHT/RED ORN	407408 CABLE 1	54"	0103 HI
232	J102-40 602201-906	J201-24e	WHT/RED GRY	407408 CABLE 1	54"	0103 LO
233	J102-41 602201-906	J201-21a	WHT/BLK RED	407408 CABLE 1	54"	0104 HI
234	J102-42 602201-906	J201-22a	WHT/BLK VIO	407408 CABLE 1	54"	0104 LO
235	J102-43 602201-906	J201-21b	WHT/BLK ORN	407408 CABLE 1	54"	0105 HI
236	J102-44 602201-906	J201-22b	WHT/BLK GRY	407408 CABLE 1	54"	0105 LO
237	J102-45 602201-906	J201-21d	WHT/BLK GRN	407408 CABLE 1	54"	0106 HI

DOC. NO. 407439

RACAL Instruments, Inc., 4 Goodyear St., Irvine, CA 92718

DOCUMENT TITLE	SIZE	CODE NO.	DOCUMENT NO.	REV
HARNESS ASSEMBLY, 1260-38, VP90	A	21793	407439	B
	DRN		SHEET 12 of 18	

ENGINEERING WIRE LIST

WIRE	FROM	TO	TYPE	PART #	WIRE LEN	REFERENCE
238	J102-46 602201-906	J201-22d	WHT/BRN ORN	407408 CABLE 1	54"	0106 LO
239	J102-47 602201-906	J201-21e	WHT/BLK BLU	407408 CABLE 1	54"	0107 HI
240	J102-48 602201-906	J201-22e	WHT/BRN YEL	407408 CABLE 1	54"	0107 LO
241	J102-49 602201-906	J201-19a	WHT/BLK	407408 CABLE 1	54"	0110 HI
242	J102-50 602201-906	J201-20a	WHT/GRN	407408 CABLE 1	54"	0110 LO
243	J102-51 602201-906	J201-19b	WHT/BRN	407408 CABLE 1	54"	0111 HI
244	J102-52 602201-906	J201-20b	WHT/BLU	407408 CABLE 1	54"	0111 LO
245	J102-53 602201-906	J201-19d	WHT/ORN	407408 CABLE 1	54"	0112 HI
246	J102-54 602201-906	J201-20d	WHT/GRY	407408 CABLE 1	54"	0112 LO
247	J102-55 602201-906	J201-19e	WHT/YEL	407408 CABLE 1	54"	0113 HI
248	J102-56 602201-906	J201-20e	WHT/BLK BRN	407408 CABLE 1	54"	0113 LO
249	J102-57 602201-906	J201-17a	BLK	407408 CABLE 1	54"	0114 HI
250	J102-58 602201-906	J201-18a	GRN	407408 CABLE 1	54"	0114 LO
251	J102-59 602201-906	J201-17b	BRN	407408 CABLE 1	54"	0115 HI
252	J102-60 602201-906	J201-18b	BLU	407408 CABLE 1	54"	0115 LO
253	J102-61 602201-906	J201-17d	ORN	407408 CABLE 1	54"	0116 HI
254	J102-62 602201-906	J201-18d	GRY	407408 CABLE 1	54"	0116 LO
255	J102-63 602201-906	J201-17e	YEL	407408 CABLE 1	54"	0117 HI
256	J102-64 602201-906	J201-18e	WHT	407408 CABLE 1	54"	0117 LO
257	J102-65 602201-906	J201-31c	WHT/BLK YEL/GRN	407408 CABLE 1	54"	COM08 HI
258	J102-66 602201-906	J201-32c	WHT/BLK GRN/VIO	407408 CABLE 1	54"	COM08 LO
259	J102-67 602201-906	J201-25c	WHT/ORN BLU	407408 CABLE 1	54"	COM09 HI
260	J102-68 602201-906	J201-26c	WHT/YEL VIO	407408 CABLE 1	54"	COM09 LO
261	J102-69 602201-906	J201-23c	WHT/BRN VIO	407408 CABLE 1	54"	COM10 HI
262	J102-70 602201-906	J201-24c	WHT/RED BLU	407408 CABLE 1	54"	COM10 LO

DOC NO. 407439

RACAL Instruments, Inc., 4 Goodyear St., Irvine, CA 92718

DOCUMENT TITLE		SIZE	CODE NO.	DOCUMENT NO.	REV
HARNESS ASSEMBLY, 1260-38, VP90		A	21793	407439	B
		DRN			SHEET 13 of 18

ENGINEERING WIRE LIST

WIRE	FROM	TO	TYPE	PART #	WIRE LEN	REFERENCE
263	J102-71 602201-906	J201-17c	RED	407408 CABLE 1	54"	COM11 HI
264	J102-72 602201-906	J201-18c	VIO	407408 CABLE 1	54"	COM11 LO
265	J102-73 602201-906	J201-27c	WHT/BLU VIO	407408 CABLE 1	54"	COM08R HI
266	J102-74 602201-906	J201-28c	WHT/BLK BRN/YEL	407408 CABLE 1	54"	COM08R LO
267	J102-75 602201-906	J201-19c	WHT/RED	407408 CABLE 1	54"	COM10R HI
268	J102-76 602201-906	J201-20c	WHT/VIO	407408 CABLE 1	54"	COM10R LO
269	J102-77 602201-906	J201-30c	WHT/BLK ORN/YEL	407408 CABLE 1	54"	COM081W
270	J102-78 602201-906	J201-29c	WHT/BLK RED/YEL	407408 CABLE 1	54"	COM081WR
271	J102-79 602201-906	J201-22c	WHT/BRN RED	407408 CABLE 1	54"	COM101W
272	J102-80 602201-906	J201-21c	WHT/BLK YEL	407408 CABLE 1	54"	COM101WR
273	J102-81	NO CONNECT				
274	J102-82	NO CONNECT				
275	J102-83	NO CONNECT				
276	J102-84	NO CONNECT				
277	J102-85	NO CONNECT				
278	J102-86	NO CONNECT				
279	J102-87	NO CONNECT				
280	J102-88	NO CONNECT				
281	J102-89	NO CONNECT				
282	J102-90	NO CONNECT				
283	J102-91	NO CONNECT				
284	J102-92	NO CONNECT				
285	J102-93	NO CONNECT				
286	J102-94	NO CONNECT				
287	J102-95	NO CONNECT				
288	J102-96	NO CONNECT				
289	J103-1 602201-906	J201-15a	WHT/BLK ORN/VIO	407408 CABLE 2	54"	0120 HI
290	J103-2 602201-906	J201-16a	WHT/BLK YEL/GRY	407408 CABLE 2	54"	0120 LO
291	J103-3 602201-906	J201-15b	WHT/BLK ORN/GRY	407408 CABLE 2	54"	0121 HI
292	J103-4 602201-906	J201-16b	WHT/BLK GRN/BLU	407408 CABLE 2	54"	0121 LO
293	J103-5 602201-906	J201-15d	WHT/BLK YEL/BLU	407408 CABLE 2	54"	0122 HI

DOC. NO. 407439

RACAL Instruments, Inc., 4 Goodyear St., Irvine, CA 92718

DOCUMENT TITLE	SIZE	CODE NO.	DOCUMENT NO.	REV
HARNESS ASSEMBLY, 1260-38, VP90	A	21793	407439	B
	DRN		SHEET 14 of 18	

ENGINEERING WIRE LIST

WIRE	FROM	TO	TYPE	PART #	WIRE LEN	REFERENCE
294	J103-6 602201-906	J201-16d	WHT/BLK GRN/GRY	407408 CABLE 2	54"	0122 LO
295	J103-7 602201-906	J201-15c	WHT/BLK YEL/VIO	407408 CABLE 2	54"	0123 HI
296	J103-8 602201-906	J201-16e	WHT/BLK BLU/VIO	407408 CABLE 2	54"	0123 LO
297	J103-9 602201-906	J201-13a	WHT/BLK BRN/VIO	407408 CABLE 2	54"	0124 HI
298	J103-10 602201-906	J201-14a	WHT/BLK RED/VIO	407408 CABLE 2	54"	0124 LO
299	J103-11 602201-906	J201-13b	WHT/BLK BRN/GRY	407408 CABLE 2	54"	0125 HI
300	J103-12 602201-906	J201-14b	WHT/BLK RED/GRY	407408 CABLE 2	54"	0125 LO
301	J103-13 602201-906	J201-13d	WHT/BLK RED/GRN	407408 CABLE 2	54"	0126 HI
302	J103-14 602201-906	J201-14d	WHT/BLK ORN/GRN	407408 CABLE 2	54"	0126 LO
303	J103-15 602201-906	J201-13e	WHT/BLK RED/BLU	407408 CABLE 2	54"	0127 HI
304	J103-16 602201-906	J201-14e	WHT/BLK ORN/BLU	407408 CABLE 2	54"	0127 LO
305	J103-17 602201-906	J201-11a	WHT/GRN VIO	407408 CABLE 2	54"	0130 HI
306	J103-18 602201-906	J201-12a	WHT/BLK BRN/RED	407408 CABLE 2	54"	0130 LO
307	J103-19 602201-906	J201-11b	WHT/GRN GRY	407408 CABLE 2	54"	0131 HI
308	J103-20 602201-906	J201-12b	WHT/BLK BRN/ORN	407408 CABLE 2	54"	0131 LO
309	J103-21 602201-906	J201-11d	WHT/BLU GRY	407408 CABLE 2	54"	0132 HI
310	J103-22 602201-906	J201-12d	WHT/BLK BRN/GRN	407408 CABLE 2	54"	0132 LO
311	J103-23 602201-906	J201-11e	WHT/VIO GRY	407408 CABLE 2	54"	0133 HI
312	J103-24 602201-906	J201-12e	WHT/BLK BRN/BLU	407408 CABLE 2	54"	0133 LO
313	J103-25 602201-906	J201-9a	WHT/ORN YEL	407408 CABLE 2	54"	0134 HI
314	J103-26 602201-906	J201-10a	WHT/YEL GRN	407408 CABLE 2	54"	0134 LO
315	J103-27 602201-906	J201-9b	WHT/ORN GRN	407408 CABLE 2	54"	0135 HI
316	J103-28 602201-906	J201-10b	WHT/YEL BLU	407408 CABLE 2	54"	0135 LO
317	J103-29 602201-906	J201-9d	WHT/ORN VIO	407408 CABLE 2	54"	0136 HI
318	J103-30 602201-906	J201-10d	WHT/YEL GRY	407408 CABLE 2	54"	0136 LO

DOC. NO. 407439

RACAL Instruments, Inc., 4 Goodyear St., Irvine, CA 92718

DOCUMENT TITLE	SIZE	CODE NO.	DOCUMENT NO.	REV
HARNESS ASSEMBLY, 1260-38, VP90	A	21793	407439	B
	DRN			SHEET 15 of 18

ENGINEERING WIRE LIST

WIRE	FROM	TO	TYPE	PART #	WIRE LEN	REFERENCE
319	J103-31 602201-906	J201-9e	WHT/ORN GRY	407408 CABLE 2	54"	0137 HI
320	J103-32 602201-906	J201-10e	WHT/GRN BLU	407408 CABLE 2	54"	0137 LO
321	J103-33 602201-906	J201-7a	WHT/BRN GRN	407408 CABLE 2	54"	0140 HI
322	J103-34 602201-906	J201-8a	WHT/RED YEL	407408 CABLE 2	54"	0140 LO
323	J103-35 602201-906	J201-7b	WHT/BRN BLU	407408 CABLE 2	54"	0141 HI
324	J103-36 602201-906	J201-8b	WHT/RED GRN	407408 CABLE 2	54"	0141 LO
325	J103-37 602201-906	J201-7d	WHT/BRN GRY	407408 CABLE 2	54"	0142 HI
326	J103-38 602201-906	J201-8d	WHT/RED VIO	407408 CABLE 2	54"	0142 LO
327	J103-39 602201-906	J201-7e	WHT/RED ORN	407408 CABLE 2	54"	0143 HI
328	J103-40 602201-906	J201-8e	WHT/RED GRY	407408 CABLE 2	54"	0143 LO
329	J103-41 602201-906	J201-5a	WHT/BLK RED	407408 CABLE 2	54"	0144 HI
330	J103-42 602201-906	J201-6a	WHT/BLK VIO	407408 CABLE 2	54"	0144 LO
331	J103-43 602201-906	J201-5b	WHT/BLK ORN	407408 CABLE 2	54"	0145 HI
332	J103-44 602201-906	J201-6b	WHT/BLK GRY	407408 CABLE 2	54"	0145 LO
333	J103-45 602201-906	J201-5d	WHT/BLK GRN	407408 CABLE 2	54"	0146 HI
334	J103-46 602201-906	J201-6d	WHT/BRN ORN	407408 CABLE 2	54"	0146 LO
335	J103-47 602201-906	J201-5e	WHT/BLK BLU	407408 CABLE 2	54"	0147 HI
336	J103-48 602201-906	J201-6e	WHT/BRN YEL	407408 CABLE 2	54"	0147 LO
337	J103-49 602201-906	J201-3a	WHT/BLK	407408 CABLE 2	54"	0150 HI
338	J103-50 602201-906	J201-4a	WHT/GRN	407408 CABLE 2	54"	0150 LO
339	J103-51 602201-906	J201-3b	WHT/BRN	407408 CABLE 2	54"	0151 HI
340	J103-52 602201-906	J201-4b	WHT/BLU	407408 CABLE 2	54"	0151 LO
341	J103-53 602201-906	J201-3d	WHT/ORN	407408 CABLE 2	54"	0152 HI
342	J103-54 602201-906	J201-4d	WHT/GRY	407408 CABLE 2	54"	0152 LO
343	J103-55 602201-906	J201-3e	WHT/YEL	407408 CABLE 2	54"	0153 HI

DOC. NO. 407439

RACAL Instruments, Inc., 4 Goodyear St., Irvine, CA 92718

DOCUMENT TITLE	SIZE	CODE NO.	DOCUMENT NO.	REV
HARNESS ASSEMBLY, 1260-38, VP90	A	21793	407439	B
	DRN			SHEET 16 of 18

ENGINEERING WIRE LIST

WIRE	FROM	TO	TYPE	PART #	WIRE LEN	REFERENCE
344	J103-56 602201-906	J201-4e	WHT/BLK BRN	407408 CABLE 2	54"	0153 LO
345	J103-57 602201-906	J201-1a	BLK	407408 CABLE 2	54"	0154 HI
346	J103-58 602201-906	J201-2a	GRN	407408 CABLE 2	54"	0154 LO
347	J103-59 602201-906	J201-1b	BRN	407408 CABLE 2	54"	0155 HI
348	J103-60 602201-906	J201-2b	BLU	407408 CABLE 2	54"	0155 LO
349	J103-61 602201-906	J201-1d	ORN	407408 CABLE 2	54"	0156 HI
350	J103-62 602201-906	J201-2d	GRY	407408 CABLE 2	54"	0156 LO
351	J103-63 602201-906	J201-1e	YEL	407408 CABLE 2	54"	0157 HI
352	J103-64 602201-906	J201-2e	WHT	407408 CABLE 2	54"	0157 LO
353	J103-65 602201-906	J201-15c	WHT/BLK YEL/GRN	407408 CABLE 2	54"	COM12 HI
354	J103-66 602201-906	J201-16c	WHT/BLK GRN/VIO	407408 CABLE 2	54"	COM12 LO
355	J103-67 602201-906	J201-9c	WHT/ORN BLU	407408 CABLE 2	54"	COM13 HI
356	J103-68 602201-906	J201-10c	WHT/YEL VIO	407408 CABLE 2	54"	COM13 LO
357	J103-69 602201-906	J201-7c	WHT/BRN VIO	407408 CABLE 2	54"	COM14 HI
358	J103-70 602201-906	J201-8c	WHT/RED BLU	407408 CABLE 2	54"	COM14 LO
359	J103-71 602201-906	J201-1c	RED	407408 CABLE 2	54"	COM15 HI
360	J103-72 602201-906	J201-2c	VIO	407408 CABLE 2	54"	COM15 LO
361	J103-73 602201-906	J201-11c	WHT/BLU VIO	407408 CABLE 2	54"	COM12R HI
362	J103-74 602201-906	J201-12c	WHT/BLK BRN/YEL	407408 CABLE 2	54"	COM12R LO
363	J103-75 602201-906	J201-3c	WHT/RED	407408 CABLE 2	54"	COM14R HI
364	J103-76 602201-906	J201-4c	WHT/VIO	407408 CABLE 2	54"	COM14R LO
365	J103-77 602201-906	J201-14c	WHT/BLK ORN/YEL	407408 CABLE 2	54"	COM121W
366	J103-78 602201-906	J201-13c	WHT/BLK RED/YEL	407408 CABLE 2	54"	COM121WR
367	J103-79 602201-906	J201-6c	WHT/BRN RED	407408 CABLE 2	54"	COM141W
368	J103-80 602201-906	J201-5c	WHT/BLK YEL	407408 CABLE 2	54"	COM141WR

DOC. NO. 407439

RACAL Instruments, Inc., 4 Goodyear St., Irvine, CA 92718

DOCUMENT TITLE	SIZE	CODE NO.	DOCUMENT NO.	REV
HARNESS ASSEMBLY, 1260-38, VP90	A	21793	407439	B
	DRN			SHEET 17 of 18

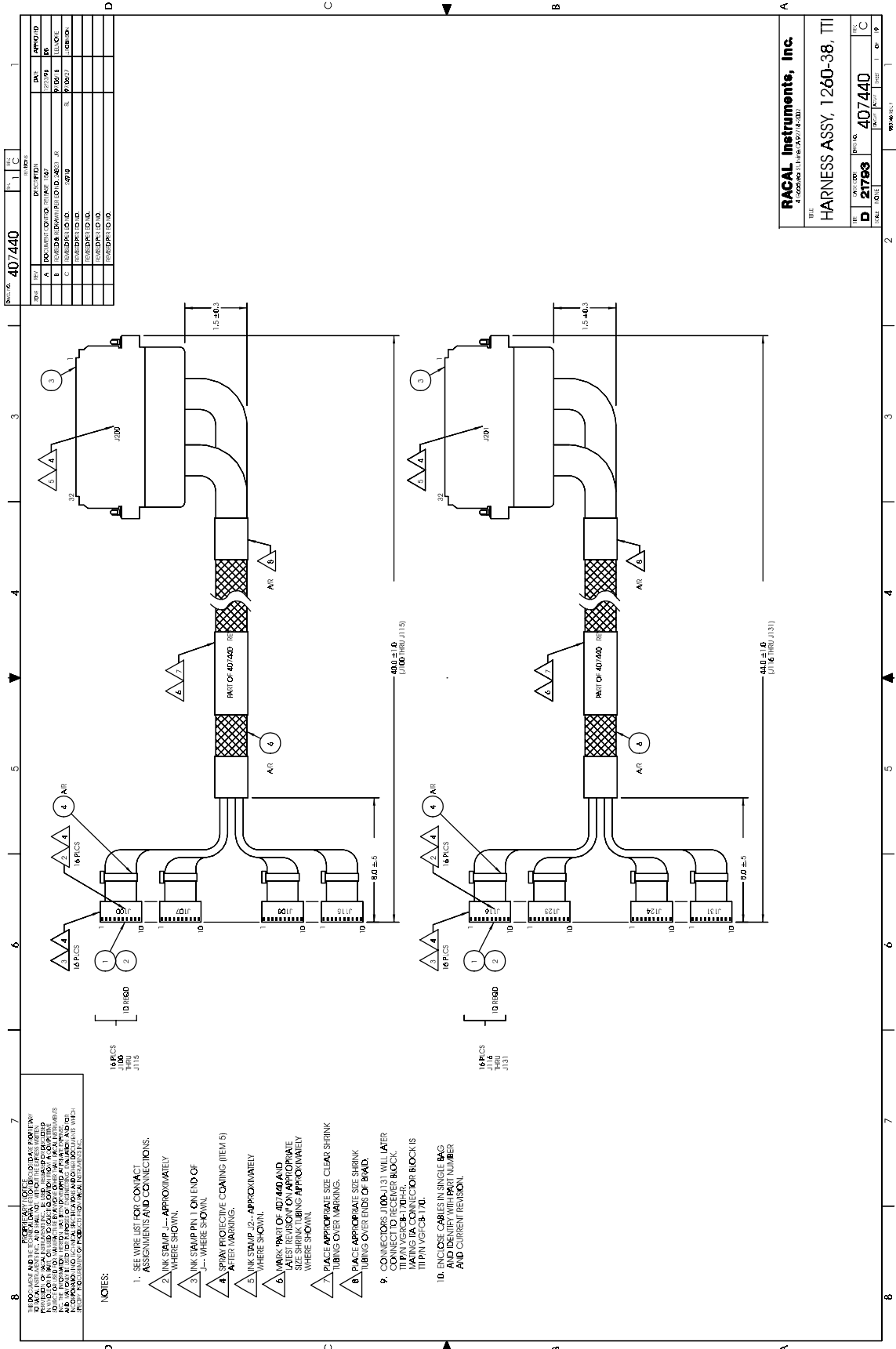
ENGINEERING WIRE LIST

WIRE	FROM	TO	TYPE	PART #	WIRE LEN	REFERENCE
369	J103-81	NO CONNECT				
370	J103-82	NO CONNECT				
371	J103-83	NO CONNECT				
372	J103-84	NO CONNECT				
373	J103-85	NO CONNECT				
374	J103-86	NO CONNECT				
375	J103-87	NO CONNECT				
376	J103-88	NO CONNECT				
377	J103-89	NO CONNECT				
378	J103-90	NO CONNECT				
379	J103-91	NO CONNECT				
380	J103-92	NO CONNECT				
381	J103-93	NO CONNECT				
382	J103-94	NO CONNECT				
383	J103-95	NO CONNECT				
384	J103-96	NO CONNECT				

DOC. NO. 407439

RACAL Instruments, Inc., 4 Goodyear St., Irvine, CA 92718

DOCUMENT TITLE	SIZE	CODE NO.	DOCUMENT NO.	REV
HARNESS ASSEMBLY, 1260-38, VP90	A	21793	407439	B
	DRN			SHEET 18 of 18



ENGINEERING WIRE LIST

WIRE	FROM	TO	TYPE	PART #	WIRE LEN	REFERENCE
	BLK AA (J100)	Uxx-SLOT yy (J200)	CABLE	407440		SYSTEM WIRE LIST
	BLK AA (J101)	Uxx-SLOT yy (J200)	CABLE	407440		
	BLK AA (J102)	Uxx-SLOT yy (J200)	CABLE	407440		
	BLK AA (J103)	Uxx-SLOT yy (J200)	CABLE	407440		
	BLK AA (J104)	Uxx-SLOT yy (J200)	CABLE	407440		
	BLK AA (J105)	Uxx-SLOT yy (J200)	CABLE	407440		
	BLK AA (J106)	Uxx-SLOT yy (J200)	CABLE	407440		
	BLK AA (J107)	Uxx-SLOT yy (J200)	CABLE	407440		
	BLK AA (J108)	Uxx-SLOT yy (J200)	CABLE	407440		
	BLK AA (J109)	Uxx-SLOT yy (J200)	CABLE	407440		
	BLK AA (J110)	Uxx-SLOT yy (J200)	CABLE	407440		
	BLK AA (J111)	Uxx-SLOT yy (J200)	CABLE	407440		
	BLK AA (J112)	Uxx-SLOT yy (J200)	CABLE	407440		
	BLK AA (J113)	Uxx-SLOT yy (J200)	CABLE	407440		
	BLK AA (J114)	Uxx-SLOT yy (J200)	CABLE	407440		
	BLK AA (J115)	Uxx-SLOT yy (J200)	CABLE	407440		
	BLK AA (J116)	Uxx-SLOT yy (J201)	CABLE	407440		
	BLK AA (J117)	Uxx-SLOT yy (J201)	CABLE	407440		
	BLK AA (J118)	Uxx-SLOT yy (J201)	CABLE	407440		
	BLK AA (J119)	Uxx-SLOT yy (J201)	CABLE	407440		
	BLK AA (J120)	Uxx-SLOT yy (J201)	CABLE	407440		
	BLK AA (J121)	Uxx-SLOT yy (J201)	CABLE	407440		
	BLK AA (J122)	Uxx-SLOT yy (J201)	CABLE	407440		
	BLK AA (J123)	Uxx-SLOT yy (J201)	CABLE	407440		
	BLK AA (J124)	Uxx-SLOT yy (J201)	CABLE	407440		
RACAL Instruments, Inc., 4 Goodyear St., Irvine, CA 92718						
DOCUMENT TITLE			SIZE	CODE NO.	DOCUMENT NO.	REV
HARNESS ASSY, 1260-38, TTI			A	21793	407440	C
			DRN	SHEET 3 of 19		

DOC. NO. 407440

ENGINEERING WIRE LIST

WIRE	FROM	TO	TYPE	PART #	WIRE LEN	REFERENCE
	BLK AA (J125)	Uxx-SLOT yy (J201)	CABLE	407440		
	BLK AA (J126)	Uxx-SLOT yy (J201)	CABLE	407440		
	BLK AA (J127)	Uxx-SLOT yy (J201)	CABLE	407440		
	BLK AA (J128)	Uxx-SLOT yy (J201)	CABLE	407440		
	BLK AA (J129)	Uxx-SLOT yy (J201)	CABLE	407440		
	BLK AA (J130)	Uxx-SLOT yy (J201)	CABLE	407440		
	BLK AA (J131)	Uxx-SLOT yy (J201)	CABLE	407440		

This system wirelist serves as a template for incorporating this harness assembly into the overall system wirelist. It does not in any way affect the fabrication of this harness assembly.

DOC. NO. 407440

RACAL Instruments, Inc., 4 Goodyear St., Irvine, CA 92718				
DOCUMENT TITLE	SIZE	CODE NO.	DOCUMENT NO.	REV
HARNESS ASSY, 1260-38, TTI	A	21793	407440	C
DRN			SHEET 4 of 19	

ENGINEERING WIRE LIST

WIRE	FROM	TO	TYPE	PART #	WIRE LEN	REFERENCE
1	J100-1 602199-001	J200-31a	WHT/BLK ORN/VIO	407408 CABLE 1	40"	0000 Hi
2	J100-2 602199-001	J200-32a	WHT/BLK YEL/GRY	407408 CABLE 1	40"	0000 Lo
3	J100-3 602199-001	J200-31b	WHT/BLK ORN/GRY	407408 CABLE 1	40"	0001 Hi
4	J100-4 602199-001	J200-32b	WHT/BLK GRN/BLU	407408 CABLE 1	40"	0001 Lo
5	J100-5 602199-001	J200-31d	WHT/BLK YEL/BLU	407408 CABLE 1	40"	0002 Hi
6	J100-6 602199-001	J200-32d	WHT/BLK GRN/GRY	407408 CABLE 1	40"	0002 Lo
7	J100-7 602199-001	J200-31e	WHT/BLK YEL/VIO	407408 CABLE 1	40"	0003 Hi
8	J100-8 602199-001	J200-32e	WHT/BLK BLU/VIO	407408 CABLE 1	40"	0003 Lo
9	J100-9 602199-001	J200-29a	WHT/BLK BRN/VIO	407408 CABLE 1	40"	0004 Hi
10	J100-10 602199-001	J200-30a	WHT/BLK RED/VIO	407408 CABLE 1	40"	0004 Lo
11	J101-1 602199-001	J200-29b	WHT/BLK BRN/GRY	407408 CABLE 1	40"	0005 Hi
12	J101-2 602199-001	J200-30b	WHT/BLK RED/GRY	407408 CABLE 1	40"	0005 Lo
13	J101-3 602199-001	J200-29d	WHT/BLK RED/GRN	407408 CABLE 1	40"	0006 Hi
14	J101-4 602199-001	J200-30d	WHT/BLK ORN/GRN	407408 CABLE 1	40"	0006 Lo
15	J101-5 602199-001	J200-29e	WHT/BLK RED/BLU	407408 CABLE 1	40"	0007 Hi
16	J101-6 602199-001	J200-30e	WHT/BLK ORN/BLU	407408 CABLE 1	40"	0007 Lo
17	J101-7 602199-001	J200-27a	WHT/GRN VIO	407408 CABLE 1	40"	0010 Hi
18	J101-8 602199-001	J200-28a	WHT/BLK BRN/RED	407408 CABLE 1	40"	0010 Lo
19	J101-9 602199-001	J200-27b	WHT/GRN GRY	407408 CABLE 1	40"	0011 Hi
20	J101-10 602199-001	J200-28b	WHT/BLK BRN/ORN	407408 CABLE 1	40"	0011 Lo
21	J102-1 602199-001	J200-27d	WHT/BLU GRY	407408 CABLE 1	40"	0012 Hi
22	J102-2 602199-001	J200-28d	WHT/BLK BRN/GRN	407408 CABLE 1	40"	0012 Lo
23	J102-3 602199-001	J200-27e	WHT/VIO GRY	407408 CABLE 1	40"	0013 Hi

DOC. NO. 407440

RACAL Instruments, Inc., 4 Goodyear St., Irvine, CA 92718			
DOCUMENT TITLE	SIZE	CODE NO.	DOCUMENT NO.
HARNESS ASSEMBLY, 1260-38, TTI	A	21793	407440
	DRN		
			REV C
			SHEET 5 of 19

ENGINEERING WIRE LIST

WIRE	FROM	TO	TYPE	PART #	WIRE LEN	REFERENCE
24	J102-4 602199-001	J200-28e	WHT/BLK BRN/BLU	407408 CABLE 1	40"	0013 Lo
25	J102-5 602199-001	J200-25a	WHT/ORN YEL	407408 CABLE 1	40"	0014 Hi
26	J102-6 602199-001	J200-26a	WHT/YEL GRN	407408 CABLE 1	40"	0014 Lo
27	J102-7 602199-001	J200-25b	WHT/ORN GRN	407408 CABLE 1	40"	0015 Hi
28	J102-8 602199-001	J200-26b	WHT/YEL BLU	407408 CABLE 1	40"	0015 Lo
29	J102-9 602199-001	J200-25d	WHT/ORN VIO	407408 CABLE 1	40"	0016 Hi
30	J102-10 602199-001	J200-26d	WHT/YEL GRY	407408 CABLE 1	40"	0016 Lo
31	J103-1 602199-001	J200-25e	WHT/ORN GRY	407408 CABLE 1	40"	0017 Hi
32	J103-2 602199-001	J200-26e	WHT/GRN BLU	407408 CABLE 1	40"	0017 Lo
33	J103-3 602199-001	J200-23a	WHT/BRN GRN	407408 CABLE 1	40"	0020 Hi
34	J103-4 602199-001	J200-24a	WHT/RED YEL	407408 CABLE 1	40"	0020 Lo
35	J103-5 602199-001	J200-23b	WHT/BRN BLU	407408 CABLE 1	40"	0021 Hi
36	J103-6 602199-001	J200-24b	WHT/RED GRN	407408 CABLE 1	40"	0021 Lo
37	J103-7 602199-001	J200-23d	WHT/BRN GRY	407408 CABLE 1	40"	0022 Hi
38	J103-8 602199-001	J200-24d	WHT/RED VIO	407408 CABLE 1	40"	0022 Lo
39	J103-9 602199-001	J200-23e	WHT/RED ORN	407408 CABLE 1	40"	0023 Hi
40	J103-10 602199-001	J200-24e	WHT/RED GRY	407408 CABLE 1	40"	0023 Lo
41	J104-1 602199-001	J200-21a	WHT/BLK RED	407408 CABLE 1	40"	0024 Hi
42	J104-2 602199-001	J200-22a	WHT/BLK VIO	407408 CABLE 1	40"	0024 Lo
43	J104-3 602199-001	J200-21b	WHT/BLK ORN	407408 CABLE 1	40"	0025 Hi
44	J104-4 602199-001	J200-22b	WHT/BLK GRY	407408 CABLE 1	40"	0025 Lo
45	J104-5 602199-001	J200-21d	WHT/BLK GRN	407408 CABLE 1	40"	0026 Hi
46	J104-6 602199-001	J200-22d	WHT/BRN ORN	407408 CABLE 1	40"	0026 Lo

DOC. NO. 407440

RACAL Instruments, Inc., 4 Goodyear St., Irvine, CA 92718			
DOCUMENT TITLE	SIZE	CODE NO.	DOCUMENT NO.
HARNESS ASSEMBLY, 1260-38, TTI	A	21793	407440
	DRN		SHEET 6 of 19
			REV C

ENGINEERING WIRE LIST

WIRE	FROM	TO	TYPE	PART #	WIRE LEN	REFERENCE
47	J104-7 602199-001	J200-21e	WHT/BLK BLU	407408 CABLE 1	40"	0027 Hi
48	J104-8 602199-001	J200-22e	WHT/BRN YEL	407408 CABLE 1	40"	0027 Lo
49	J104-9 602199-001	J200-19a	WHT/BLK	407408 CABLE 1	40"	0030 Hi
50	J104-10 602199-001	J200-20a	WHT/GRN	407408 CABLE 1	40"	0030 Lo
51	J105-1 602199-001	J200-19b	WHT/BRN	407408 CABLE 1	40"	0031 Hi
52	J105-2 602199-001	J200-20b	WHT/BLU	407408 CABLE 1	40"	0031 Lo
53	J105-3 602199-001	J200-19d	WHT/ORN	407408 CABLE 1	40"	0032 Hi
54	J105-4 602199-001	J200-20d	WHT/GRY	407408 CABLE 1	40"	0032 Lo
55	J105-5 602199-001	J200-19e	WHT/YEL	407408 CABLE 1	40"	0033 Hi
56	J105-6 602199-001	J200-20e	WHT/BLK BRN	407408 CABLE 1	40"	0033 Lo
57	J105-7 602199-001	J200-17a	BLK	407408 CABLE 1	40"	0034 Hi
58	J105-8 602199-001	J200-18a	GRN	407408 CABLE 1	40"	0034 Lo
59	J105-9 602199-001	J200-17b	BRN	407408 CABLE 1	40"	0035 Hi
60	J105-10 602199-001	J200-18b	BLU	407408 CABLE 1	40"	0035 Lo
61	J106-1 602199-001	J200-17d	ORN	407408 CABLE 1	40"	0036 Hi
62	J106-2 602199-001	J200-18d	GRY	407408 CABLE 1	40"	0036 Lo
63	J106-3 602199-001	J200-17e	YEL	407408 CABLE 1	40"	0037 Hi
64	J106-4 602199-001	J200-18e	WHT	407408 CABLE 1	40"	0037 Lo
65	J106-5 602199-001	J200-31c	WHT/BLK YEL/GRN	407408 CABLE 1	40"	COM00 Hi
66	J106-6 602199-001	J200-32c	WHT/BLK GRN/VIO	407408 CABLE 1	40"	COM00 Lo
67	J106-7 602199-001	J200-25c	WHT/ORN BLU	407408 CABLE 1	40"	COM01 Hi
68	J106-8 602199-001	J200-26c	WHT/YEL VIO	407408 CABLE 1	40"	COM01 Lo
69	J106-9 602199-001	J200-23c	WHT/BRN VIO	407408 CABLE 1	40"	COM02 Hi
RACAL Instruments, Inc., 4 Goodyear St., Irvine, CA 92718						
DOCUMENT TITLE			SIZE	CODE NO.	DOCUMENT NO.	REV
HARNESS ASSEMBLY, 1260-38, TTI			A	21793	407440	C
			DRN	SHEET 7 of 19		

DOC. NO. 407440

ENGINEERING WIRE LIST

WIRE	FROM	TO	TYPE	PART #	WIRE LEN	REFERENCE
70	J106-10 602199-001	J200-24c	WHT/RED BLU	407408 CABLE 1	40"	COM02 Lo
71	J107-1 602199-001	J200-17c	RED	407408 CABLE 1	40"	COM03 Hi
72	J107-2 602199-001	J200-18c	VIO	407408 CABLE 1	40"	COM03 Lo
73	J107-3 602199-001	J200-27c	WHT/BLU VIO	407408 CABLE 1	40"	COM00R Hi
74	J107-4 602199-001	J200-28c	WHT/BLK BRN/YEL	407408 CABLE 1	40"	COM00R Lo
75	J107-5 602199-001	J200-19c	WHT/RED	407408 CABLE 1	40"	COM02R Hi
76	J107-6 602199-001	J200-20c	WHT/VIO	407408 CABLE 1	40"	COM02R Lo
77	J107-7 602199-001	J200-30c	WHT/BLK ORN/YEL	407408 CABLE 1	40"	COM001W
78	J107-8 602199-001	J200-29c	WHT/BLK RED/YEL	407408 CABLE 1	40"	COM001WR
79	J107-9 602199-001	J200-22c	WHT/BRN RED	407408 CABLE 1	40"	COM021W
80	J107-10 602199-001	J200-21c	WHT/BLK YEL	407408 CABLE 1	40"	COM021WR
81						NO CONNECT
82						NO CONNECT
83						NO CONNECT
84						NO CONNECT
85						NO CONNECT
86						NO CONNECT
87						NO CONNECT
88						NO CONNECT
89						NO CONNECT
90						NO CONNECT
91	J108-1 602199-001	J200-15a	WHT/BLK ORN/VIO	407408 CABLE 2	40"	0040 Hi
RACAL Instruments, Inc., 4 Goodyear St., Irvine, CA 92718						
DOCUMENT TITLE			SIZE	CODE NO.	DOCUMENT NO.	REV
HARNESS ASSEMBLY, 1260-38, TTI			A	21793	407440	C
DRN					SHEET 8 of 19	

DOC. NO. 407440

ENGINEERING WIRE LIST

WIRE	FROM	TO	TYPE	PART #	WIRE LEN	REFERENCE
92	J108-2 602199-001	J200-16a	WHT/BLK YEL/GRY	407408 CABLE 2	40"	0040 Lo
93	J108-3 602199-001	J200-15b	WHT/BLK ORN/GRY	407408 CABLE 2	40"	0041 Hi
94	J108-4 602199-001	J200-16b	WHT/BLK GRN/BLU	407408 CABLE 2	40"	0041 Lo
95	J108-5 602199-001	J200-15d	WHT/BLK YEL/BLU	407408 CABLE 2	40"	0042 Hi
96	J108-6 602199-001	J200-16d	WHT/BLK GRN/GRY	407408 CABLE 2	40"	0042 Lo
97	J108-7 602199-001	J200-15e	WHT/BLK YEL/VIO	407408 CABLE 2	40"	0043 Hi
98	J108-8 602199-001	J200-16e	WHT/BLK BLU/VIO	407408 CABLE 2	40"	0043 Lo
99	J108-9 602199-001	J200-13a	WHT/BLK BRN/VIO	407408 CABLE 2	40"	0044 Hi
100	J108-10 602199-001	J200-14a	WHT/BLK RED/VIO	407408 CABLE 2	40"	0044 Lo
101	J109-1 602199-001	J200-13b	WHT/BLK BRN/GRY	407408 CABLE 2	40"	0045 Hi
102	J109-2 602199-001	J200-14b	WHT/BLK RED/GRY	407408 CABLE 2	40"	0045 Lo
103	J109-3 602199-001	J200-13d	WHT/BLK RED/GRN	407408 CABLE 2	40"	0046 Hi
104	J109-4 602199-001	J200-14d	WHT/BLK ORN/GRN	407408 CABLE 2	40"	0046 Lo
105	J109-5 602199-001	J200-13e	WHT/BLK RED/BLU	407408 CABLE 2	40"	0047 Hi
106	J109-6 602199-001	J200-14e	WHT/BLK ORN/BLU	407408 CABLE 2	40"	0047 Lo
107	J109-7 602199-001	J200-11a	WHT/GRN VIO	407408 CABLE 2	40"	0050 Hi
108	J109-8 602199-001	J200-12a	WHT/BLK BRN/RED	407408 CABLE 2	40"	0050 Lo
109	J109-9 602199-001	J200-11b	WHT/GRN GRY	407408 CABLE 2	40"	0051 Hi
110	J109-10 602199-001	J200-12b	WHT/BLK BRN/ORN	407408 CABLE 2	40"	0051 Lo
111	J110-1 602199-001	J200-11d	WHT/BLU GRY	407408 CABLE 2	40"	0052 Hi
112	J110-2 602199-001	J200-12d	WHT/BLK BRN/GRN	407408 CABLE 2	40"	0052 Lo
113	J110-3 602199-001	J200-11e	WHT/VIO GRY	407408 CABLE 2	40"	0053 Hi
114	J110-4 602199-001	J200-12e	WHT/BLK BRN/BLU	407408 CABLE 2	40"	0053 Lo
RACAL Instruments, Inc., 4 Goodyear St., Irvine, CA 92718						
DOCUMENT TITLE			SIZE	CODE NO.	DOCUMENT NO.	REV
HARNESS ASSEMBLY, 1260-38, TTI			A	21793	407440	C
DRN					SHEET 9 of 19	

DOC. NO. 407440

ENGINEERING WIRE LIST

WIRE	FROM	TO	TYPE	PART #	WIRE LEN	REFERENCE
115	J110-5 602199-001	J200-9a	WHT/ORN YEL	407408 CABLE 2	40"	0054 Hi
116	J110-6 602199-001	J200-10a	WHT/YEL GRN	407408 CABLE 2	40"	0054 Lo
117	J110-7 602199-001	J200-9b	WHT/ORN GRN	407408 CABLE 2	40"	0055 Hi
118	J110-8 602199-001	J200-10b	WHT/YEL BLU	407408 CABLE 2	40"	0055 Lo
119	J110-9 602199-001	J200-9d	WHT/ORN VIO	407408 CABLE 2	40"	0056 Hi
120	J110-10 602199-001	J200-10d	WHT/YEL GRY	407408 CABLE 2	40"	0056 Lo
121	J111-1 602199-001	J200-9e	WHT/ORN GRY	407408 CABLE 2	40"	0057 Hi
122	J111-2 602199-001	J200-10e	WHT/GRN BLU	407408 CABLE 2	40"	0057 Lo
123	J111-3 602199-001	J200-7a	WHT/BRN GRN	407408 CABLE 2	40"	0060 Hi
124	J111-4 602199-001	J200-8a	WHT/RED YEL	407408 CABLE 2	40"	0060 Lo
125	J111-5 602199-001	J200-7b	WHT/BRN BLU	407408 CABLE 2	40"	0061 Hi
126	J111-6 602199-001	J200-8b	WHT/RED GRN	407408 CABLE 2	40"	0061 Lo
127	J111-7 602199-001	J200-7d	WHT/BRN GRY	407408 CABLE 2	40"	0062 Hi
128	J111-8 602199-001	J200-8d	WHT/RED VIO	407408 CABLE 2	40"	0062 Lo
129	J111-9 602199-001	J200-7e	WHT/RED ORN	407408 CABLE 2	40"	0063 Hi
130	J111-10 602199-001	J200-8e	WHT/RED GRY	407408 CABLE 2	40"	0063 Lo
131	J112-1 602199-001	J200-5a	WHT/BLK RED	407408 CABLE 2	40"	0064 Hi
132	J112-2 602199-001	J200-6a	WHT/BLK VIO	407408 CABLE 2	40"	0064 Lo
133	J112-3 602199-001	J200-5b	WHT/BLK ORN	407408 CABLE 2	40"	0065 Hi
134	J112-4 602199-001	J200-6b	WHT/BLK GRY	407408 CABLE 2	40"	0065 Lo
135	J112-5 602199-001	J200-5d	WHT/BLK GRN	407408 CABLE 2	40"	0066 Hi
136	J112-6 602199-001	J200-6d	WHT/BRN ORN	407408 CABLE 2	40"	0066 Lo
137	J112-7 602199-001	J200-5e	WHT/BLK BLU	407408 CABLE 2	40"	0067 Hi
RACAL Instruments, Inc., 4 Goodyear St., Irvine, CA 92718						
DOCUMENT TITLE			SIZE	CODE NO.	DOCUMENT NO.	REV
HARNESS ASSEMBLY, 1260-38, TTI			A	21793	407440	C
			DRN	SHEET 10 of 19		

DOC. NO. 407440

ENGINEERING WIRE LIST

WIRE	FROM	TO	TYPE	PART #	WIRE LEN	REFERENCE
138	J112-8 602199-001	J200-6e	WHT/BRN YEL	407408 CABLE 2	40"	0067 Lo
139	J112-9 602199-001	J200-3a	WHT/BLK	407408 CABLE 2	40"	0070 Hi
140	J112-10 602199-001	J200-4a	WHT/GRN	407408 CABLE 2	40"	0070 Lo
141	J113-1 602199-001	J200-3b	WHT/BRN	407408 CABLE 2	40"	0071 Hi
142	J113-2 602199-001	J200-4b	WHT/BLU	407408 CABLE 2	40"	0071 Lo
143	J113-3 602199-001	J200-3d	WHT/ORN	407408 CABLE 2	40"	0072 Hi
144	J113-4 602199-001	J200-4d	WHT/GRY	407408 CABLE 2	40"	0072 Lo
145	J113-5 602199-001	J200-3e	WHT/YEL	407408 CABLE 2	40"	0073 Hi
146	J113-6 602199-001	J200-4e	WHT/BLK BRN	407408 CABLE 2	40"	0073 Lo
147	J113-7 602199-001	J200-1a	BLK	407408 CABLE 2	40"	0074 Hi
148	J113-8 602199-001	J200-2a	GRN	407408 CABLE 2	40"	0074 Lo
149	J113-9 602199-001	J200-1b	BRN	407408 CABLE 2	40"	0075 Hi
150	J113-10 602199-001	J200-2b	BLU	407408 CABLE 2	40"	0075 Lo
151	J114-1 602199-001	J200-1d	ORN	407408 CABLE 2	40"	0076 Hi
152	J114-2 602199-001	J200-2d	GRY	407408 CABLE 2	40"	0076 Lo
153	J114-3 602199-001	J200-1e	YEL	407408 CABLE 2	40"	0077 Hi
154	J114-4 602199-001	J200-2e	WHT	407408 CABLE 2	40"	0077 Lo
155	J114-5 602199-001	J200-15c	WHT/BLK YEL/GRN	407408 CABLE 2	40"	COM04 Hi
156	J114-6 602199-001	J200-16c	WHT/BLK GRN/VIO	407408 CABLE 2	40"	COM04 Lo
157	J114-7 602199-001	J200-9c	WHT/ORN BLU	407408 CABLE 2	40"	COM05 Hi
158	J114-8 602199-001	J200-10c	WHT/YEL VIO	407408 CABLE 2	40"	COM05 Lo
159	J114-9 602199-001	J200-7c	WHT/BRN VIO	407408 CABLE 2	40"	COM06 Hi
160	J114-10 602199-001	J200-8c	WHT/RED BLU	407408 CABLE 2	40"	COM06 Lo

DOC NO. 407440

RACAL Instruments, Inc., 4 Goodyear St., Irvine, CA 92718

DOCUMENT TITLE	SIZE	CODE NO.	DOCUMENT NO.	REV
HARNES ASSEMBLY, 1260-38, TTI	A	21793	407440	C
	DRN			SHEET 11 of 19

ENGINEERING WIRE LIST

WIRE	FROM	TO	TYPE	PART #	WIRE LEN	REFERENCE
161	J115-1 602199-001	J200-1c	RED	407408 CABLE 2	40"	COM07 Hi
162	J115-2 602199-001	J200-2c	VIO	407408 CABLE 2	40"	COM07 Lo
163	J115-3 602199-001	J200-11c	WHT/BLU VIO	407408 CABLE 2	40"	COM04R Hi
164	J115-4 602199-001	J200-12c	WHT/BLK BRN/YEL	407408 CABLE 2	40"	COM04R Lo
165	J115-5 602199-001	J200-3c	WHT/RED	407408 CABLE 2	40"	COM06R Hi
166	J115-6 602199-001	J200-4c	WHT/VIO	407408 CABLE 2	40"	COM06R Lo
167	J115-7 602199-001	J200-14c	WHT/BLK ORN/YEL	407408 CABLE 2	40"	COM041W
168	J115-8 602199-001	J200-13c	WHT/BLK RED/YEL	407408 CABLE 2	40"	COM041WR
169	J115-9 602199-001	J200-6c	WHT/BRN RED	407408 CABLE 2	40"	COM061W
170	J115-10 602199-001	J200-5c	WHT/BLK YEL	407408 CABLE 2	40"	COM061WR
171	J116-1 602199-001	J201-31a	WHT/BLK ORN/VIO	407408 CABLE 1	40"	0080 Hi
172	J116-2 602199-001	J201-32a	WHT/BLK YEL/GRY	407408 CABLE 1	40"	0080 Lo
173	J116-3 602199-001	J201-31b	WHT/BLK ORN/GRY	407408 CABLE 1	40"	0081 Hi
174	J116-4 602199-001	J201-32b	WHT/BLK GRN/BLU	407408 CABLE 1	40"	0081 Lo
175	J116-5 602199-001	J201-31d	WHT/BLK YEL/BLU	407408 CABLE 1	40"	0082 Hi
176	J116-6 602199-001	J201-32d	WHT/BLK GRN/GRY	407408 CABLE 1	40"	0082 Lo
177	J116-7 602199-001	J201-31e	WHT/BLK YEL/VIO	407408 CABLE 1	40"	0083 Hi
178	J116-8 602199-001	J201-32e	WHT/BLK BLU/VIO	407408 CABLE 1	40"	0083 Lo
179	J116-9 602199-001	J201-29a	WHT/BLK BRN/VIO	407408 CABLE 1	40"	0084 Hi
180	J116-10 602199-001	J201-30a	WHT/BLK RED/VIO	407408 CABLE 1	40"	0084 Lo
181	J117-1 602199-001	J201-29b	WHT/BLK BRN/GRY	407408 CABLE 1	40"	0085 Hi
182	J117-2 602199-001	J201-30b	WHT/BLK RED/GRY	407408 CABLE 1	40"	0085 Lo
RACAL Instruments, Inc., 4 Goodyear St., Irvine, CA 92718						
DOCUMENT TITLE			SIZE	CODE NO.	DOCUMENT NO.	REV
HARNESS ASSEMBLY, 1260-38, TTI			A	21793	407440	C
DRN					SHEET 12 of 19	

DOC NO. 407440

ENGINEERING WIRE LIST

WIRE	FROM	TO	TYPE	PART #	WIRE LEN	REFERENCE
183	J117-3 602199-001	J201-29d	WHT/BLK RED/GRN	407408 CABLE 1	40"	0086 Hi
184	J117-4 602199-001	J201-30d	WHT/BLK ORN/GRN	407408 CABLE 1	40"	0086 Lo
185	J117-5 602199-001	J201-29e	WHT/BLK RED/BLU	407408 CABLE 1	40"	0087 Hi
186	J117-6 602199-001	J201-30e	WHT/BLK ORN/BLU	407408 CABLE 1	40"	0087 Lo
187	J117-7 602199-001	J201-27a	WHT/GRN VIO	407408 CABLE 1	40"	0090 Hi
188	J117-8 602199-001	J201-28a	WHT/BLK BRN/RED	407408 CABLE 1	40"	0090 Lo
189	J117-9 602199-001	J201-27b	WHT/GRN GRY	407408 CABLE 1	40"	0091 Hi
190	J117-10 602199-001	J201-28b	WHT/BLK BRN/ORN	407408 CABLE 1	40"	0091 Lo
191	J118-1 602199-001	J201-27d	WHT/BLU GRY	407408 CABLE 1	40"	0092 Hi
192	J118-2 602199-001	J201-28d	WHT/BLK BRN/GRN	407408 CABLE 1	40"	0092 Lo
193	J118-3 602199-001	J201-27e	WHT/VIO GRY	407408 CABLE 1	40"	0093 Hi
194	J118-4 602199-001	J201-28e	WHT/BLK BRN/BLU	407408 CABLE 1	40"	0093 Lo
195	J118-5 602199-001	J201-25a	WHT/ORN YEL	407408 CABLE 1	40"	0094 Hi
196	J118-6 602199-001	J201-26a	WHT/YEL GRN	407408 CABLE 1	40"	0094 Lo
197	J118-7 602199-001	J201-25b	WHT/ORN GRN	407408 CABLE 1	40"	0095 Hi
198	J118-8 602199-001	J201-26b	WHT/YEL BLU	407408 CABLE 1	40"	0095 Lo
199	J118-9 602199-001	J201-25d	WHT/ORN VIO	407408 CABLE 1	40"	0096 Hi
200	J118-10 602199-001	J201-26d	WHT/YEL GRY	407408 CABLE 1	40"	0096 Lo
201	J119-1 602199-001	J201-25e	WHT/ORN GRY	407408 CABLE 1	40"	0097 Hi
202	J119-2 602199-001	J201-26e	WHT/GRN BLU	407408 CABLE 1	40"	0097 Lo
203	J119-3 602199-001	J201-23a	WHT/BRN GRN	407408 CABLE 1	40"	0100 Hi
204	J119-4 602199-001	J201-24a	WHT/RED YEL	407408 CABLE 1	40"	0100 Lo
205	J119-5 602199-001	J201-23b	WHT/BRN BLU	407408 CABLE 1	40"	0101 Hi
RACAL Instruments, Inc., 4 Goodyear St., Irvine, CA 92718						
DOCUMENT TITLE			SIZE	CODE NO.	DOCUMENT NO.	REV
HARNESS ASSEMBLY, 1260-38, TTI			A	21793	407440	C
					DRN	SHEET 13 of 19

DOC. NO. 407440

ENGINEERING WIRE LIST

WIRE	FROM	TO	TYPE	PART #	WIRE LEN	REFERENCE
206	J119-6 602199-001	J201-24b	WHT/RED GRN	407408 CABLE 1	40"	0101 Lo
207	J119-7 602199-001	J201-23d	WHT/BRN GRY	407408 CABLE 1	40"	0102 Hi
208	J119-8 602199-001	J201-24d	WHT/RED VIO	407408 CABLE 1	40"	0102 Lo
209	J119-9 602199-001	J201-23e	WHT/RED ORN	407408 CABLE 1	40"	0103 Hi
210	J119-10 602199-001	J201-24e	WHT/RED GRY	407408 CABLE 1	40"	0103 Lo
211	J120-1 602199-001	J201-21a	WHT/BLK RED	407408 CABLE 1	40"	0104 Hi
212	J120-2 602199-001	J201-22a	WHT/BLK VIO	407408 CABLE 1	40"	0104 Lo
213	J120-3 602199-001	J201-21b	WHT/BLK ORN	407408 CABLE 1	40"	0105 Hi
214	J120-4 602199-001	J201-22b	WHT/BLK GRY	407408 CABLE 1	40"	0105 Lo
215	J120-5 602199-001	J201-21d	WHT/BLK GRN	407408 CABLE 1	40"	0106 Hi
216	J120-6 602199-001	J201-22d	WHT/BRN ORN	407408 CABLE 1	40"	0106 Lo
217	J120-7 602199-001	J201-21e	WHT/BLK BLU	407408 CABLE 1	40"	0107 Hi
218	J120-8 602199-001	J201-22e	WHT/BRN YEL	407408 CABLE 1	40"	0107 Lo
219	J120-9 602199-001	J201-19a	WHT/BLK	407408 CABLE 1	40"	0110 Hi
220	J120-10 602199-001	J201-20a	WHT/GRN	407408 CABLE 1	40"	0110 Lo
221	J121-1 602199-001	J201-19b	WHT/BRN	407408 CABLE 1	40"	0111 Hi
222	J121-2 602199-001	J201-20b	WHT/BLU	407408 CABLE 1	40"	0111 Lo
223	J121-3 602199-001	J201-19d	WHT/ORN	407408 CABLE 1	40"	0112 Hi
224	J121-4 602199-001	J201-20d	WHT/GRY	407408 CABLE 1	40"	0112 Lo
225	J121-5 602199-001	J201-19e	WHT/YEL	407408 CABLE 1	40"	0113 Hi
226	J121-6 602199-001	J201-20e	WHT/BLK BRN	407408 CABLE 1	40"	0113 Lo
227	J121-7 602199-001	J201-17a	BLK	407408 CABLE 1	40"	0114 Hi
228	J121-8 602199-001	J201-18a	GRN	407408 CABLE 1	40"	0114 Lo
RACAL Instruments, Inc., 4 Goodyear St., Irvine, CA 92718						
DOCUMENT TITLE			SIZE	CODE NO.	DOCUMENT NO.	REV
HARNESS ASSEMBLY, 1260-38, TTI			A	21793	407440	C
					DRN	SHEET 14 of 19

DOC NO. 407440

ENGINEERING WIRE LIST

WIRE	FROM	TO	TYPE	PART #	WIRE LEN	REFERENCE
229	J121-9 602199-001	J201-17b	BRN	407408 CABLE 1	40"	0115 Hi
230	J121-10 602199-001	J201-18b	BLU	407408 CABLE 1	40"	0115 Lo
231	J122-1 602199-001	J201-17d	ORN	407408 CABLE 1	40"	0116 Hi
232	J122-2 602199-001	J201-18d	GRY	407408 CABLE 1	40"	0116 Lo
233	J122-3 602199-001	J201-17e	YEL	407408 CABLE 1	40"	0117 Hi
234	J122-4 602199-001	J201-18e	WHT	407408 CABLE 1	40"	0117 Lo
235	J122-5 602199-001	J201-31c	WHT/BLK YEL/GRN	407408 CABLE 1	40"	COM08 Hi
236	J122-6 602199-001	J201-32c	WHT/BLK GRN/VIO	407408 CABLE 1	40"	COM08 Lo
237	J122-7 602199-001	J201-25c	WHT/ORN BLU	407408 CABLE 1	40"	COM09 Hi
238	J122-8 602199-001	J201-26c	WHT/YEL VIO	407408 CABLE 1	40"	COM09 Lo
239	J122-9 602199-001	J201-23c	WHT/BRN VIO	407408 CABLE 1	40"	COM10 Hi
240	J122-10 602199-001	J201-24c	WHT/RED BLU	407408 CABLE 1	40"	COM10 Lo
241	J123-1 602199-001	J201-17c	RED	407408 CABLE 1	40"	COM11 Hi
242	J123-2 602199-001	J201-18c	VIO	407408 CABLE 1	40"	COM11 Lo
243	J123-3 602199-001	J201-27c	WHT/BLU VIO	407408 CABLE 1	40"	COM08R Hi
244	J123-4 602199-001	J201-28c	WHT/BLK BRN/YEL	407408 CABLE 1	40"	COM08R Lo
245	J123-5 602199-001	J201-19c	WHT/RED	407408 CABLE 1	40"	COM10R Hi
246	J123-6 602199-001	J201-20c	WHT/VIO	407408 CABLE 1	40"	COM10R Lo
247	J123-7 602199-001	J201-30c	WHT/BLK ORN/YEL	407408 CABLE 1	40"	COM081W
248	J123-8 602199-001	J201-29c	WHT/BLK RED/YEL	407408 CABLE 1	40"	COM081WR
249	J123-9 602199-001	J201-22c	WHT/BRN RED	407408 CABLE 1	40"	COM101W
250	J123-10 602199-001	J201-21c	WHT/BLK YEL	407408 CABLE 1	54"	COM101WR
RACAL Instruments, Inc., 4 Goodyear St., Irvine, CA 92718						
DOCUMENT TITLE			SIZE	CODE NO.	DOCUMENT NO.	REV
HARNESS ASSEMBLY, 1260-38, TTI			A	21793	407440	C
					SHEET 15 of 19	

DOC. NO. 407440

ENGINEERING WIRE LIST

WIRE	FROM	TO	TYPE	PART #	WIRE LEN	REFERENCE
251						NO CONNECT
252						NO CONNECT
253						NO CONNECT
254						NO CONNECT
255						NO CONNECT
256						NO CONNECT
257						NO CONNECT
258						NO CONNECT
259						NO CONNECT
260						NO CONNECT
261	J124-1 602199-001	J201-15a	WHT/BLK ORN/VIO	407408 CABLE 2	40"	0120 Hi
262	J124-2 602199-001	J201-16a	WHT/BLK YEL/GRY	407408 CABLE 2	40"	0120 Lo
263	J124-3 602199-001	J201-15b	WHT/BLK ORN/GRY	407408 CABLE 2	40"	0121 Hi
264	J124-4 602199-001	J201-16b	WHT/BLK GRN/BLU	407408 CABLE 2	40"	0121 Lo
265	J124-5 602199-001	J201-15d	WHT/BLK YEL/BLU	407408 CABLE 2	40"	0122 Hi
266	J124-6 602199-001	J201-16d	WHT/BLK GRN/GRY	407408 CABLE 2	40"	0122 Lo
267	J124-7 602199-001	J201-15e	WHT/BLK YEL/VIO	407408 CABLE 2	40"	0123 Hi
268	J124-8 602199-001	J201-16e	WHT/BLK BLU/VIO	407408 CABLE 2	40"	0123 Lo
269	J124-9 602199-001	J201-13a	WHT/BLK BRN/VIO	407408 CABLE 2	40"	0124 Hi
270	J124-10 602199-001	J201-14a	WHT/BLK RED/VIO	407408 CABLE 2	40"	0124 Lo
271	J125-1 602199-001	J201-13b	WHT/BLK BRN/GRY	407408 CABLE 2	40"	0125 Hi
272	J125-2 602199-001	J201-14b	WHT/BLK RED/GRY	407408 CABLE 2	40"	0125 Lo
273	J125-3 602199-001	J201-13d	WHT/BLK RED/GRN	407408 CABLE 2	40"	0126 Hi
RACAL Instruments, Inc., 4 Goodyear St., Irvine, CA 92718						
DOCUMENT TITLE			SIZE	CODE NO.	DOCUMENT NO.	REV
HARNESS ASSEMBLY, 1260-38, TTI			A	21793	407440	C
			DRN	SHEET 16 of 19		

DOC. NO. 407440

ENGINEERING WIRE LIST

WIRE	FROM	TO	TYPE	PART #	WIRE LEN	REFERENCE
274	J125-4 602199-001	J201-14d	WHT/BLK ORN/GRN	407408 CABLE 2	40"	0126 Lo
275	J125-5 602199-001	J201-13e	WHT/BLK RED/BLU	407408 CABLE 2	40"	0127 Hi
276	J125-6 602199-001	J201-14e	WHT/BLK ORN/BLU	407408 CABLE 2	40"	0127 Lo
277	J125-7 602199-001	J201-11a	WHT/GRN VIO	407408 CABLE 2	40"	0130 Hi
278	J125-8 602199-001	J201-12a	WHT/BLK BRN/RED	407408 CABLE 2	40"	0130 Lo
279	J125-9 602199-001	J201-11b	WHT/GRN GRY	407408 CABLE 2	40"	0131 Hi
280	J125-10 602199-001	J201-12b	WHT/BLK BRN/ORN	407408 CABLE 2	40"	0131 Lo
281	J126-1 602199-001	J201-11d	WHT/BLU GRY	407408 CABLE 2	40"	0132 Hi
282	J126-2 602199-001	J201-12d	WHT/BLK BRN/GRN	407408 CABLE 2	40"	0132 Lo
283	J126-3 602199-001	J201-11e	WHT/VIO GRY	407408 CABLE 2	40"	0133 Hi
284	J126-4 602199-001	J201-12e	WHT/BLK BRN/BLU	407408 CABLE 2	40"	0133 Lo
285	J126-5 602199-001	J201-9a	WHT/ORN YEL	407408 CABLE 2	40"	0134 Hi
286	J126-6 602199-001	J201-10a	WHT/YEL GRN	407408 CABLE 2	40"	0134 Lo
287	J126-7 602199-001	J201-9b	WHT/ORN GRN	407408 CABLE 2	40"	0135 Hi
288	J126-8 602199-001	J201-10b	WHT/YEL BLU	407408 CABLE 2	40"	0135 Lo
289	J126-9 602199-001	J201-9d	WHT/ORN VIO	407408 CABLE 2	40"	0136 Hi
290	J126-10 602199-001	J201-10d	WHT/YEL GRY	407408 CABLE 2	40"	0136 Lo
291	J127-1 602199-001	J201-9e	WHT/ORN GRY	407408 CABLE 2	40"	0137 Hi
292	J127-2 602199-001	J201-10e	WHT/GRN BLU	407408 CABLE 2	40"	0137 Lo
293	J127-3 602199-001	J201-7a	WHT/BRN GRN	407408 CABLE 2	40"	0140 Hi
294	J127-4 602199-001	J201-8a	WHT/RED YEL	407408 CABLE 2	40"	0140 Lo
295	J127-5 602199-001	J201-7b	WHT/BRN BLU	407408 CABLE 2	40"	0141 Hi
296	J127-6 602199-001	J201-8b	WHT/RED GRN	407408 CABLE 2	40"	0141 Lo

DOC. NO. | 407440

RACAL Instruments, Inc., 4 Goodyear St., Irvine, CA 92718			
DOCUMENT TITLE	SIZE	CODE NO.	DOCUMENT NO.
HARNESS ASSEMBLY, 1260-38, TTI	A	21793	407440
	DRN		SHEET 17 of 19
			REV C

ENGINEERING WIRE LIST

WIRE	FROM	TO	TYPE	PART #	WIRE LEN	REFERENCE
297	J127-7 602199-001	J201-7d	WHT/BRN GRY	407408 CABLE 2	40"	0142 Hi
298	J127-8 602199-001	J201-8d	WHT/RED VIO	407408 CABLE 2	40"	0142 Lo
299	J127-9 602199-001	J201-7e	WHT/RED ORN	407408 CABLE 2	40"	0143 Hi
300	J127-10 602199-001	J201-8e	WHT/RED GRY	407408 CABLE 2	40"	0143 Lo
301	J128-1 602199-001	J201-5a	WHT/BLK RED	407408 CABLE 2	40"	0144 Hi
302	J128-2 602199-001	J201-6a	WHT/BLK VIO	407408 CABLE 2	40"	0144 Lo
303	J128-3 602199-001	J201-5b	WHT/BLK ORN	407408 CABLE 2	40"	0145 Hi
304	J128-4 602199-001	J201-6b	WHT/BLK GRY	407408 CABLE 2	40"	0145 Lo
305	J128-5 602199-001	J201-5d	WHT/BLK GRN	407408 CABLE 2	40"	0146 Hi
306	J128-6 602199-001	J201-6d	WHT/BRN ORN	407408 CABLE 2	40"	0146 Lo
307	J128-7 602199-001	J201-5e	WHT/BLK BLU	407408 CABLE 2	40"	0147 Hi
308	J128-8 602199-001	J201-6e	WHT/BRN YEL	407408 CABLE 2	40"	0147 Lo
309	J128-9 602199-001	J201-3a	WHT/BLK	407408 CABLE 2	40"	0150 Hi
310	J128-10 602199-001	J201-4a	WHT/GRN	407408 CABLE 2	40"	0150 Lo
311	J129-1 602199-001	J201-3b	WHT/BRN	407408 CABLE 2	40"	0151 Hi
312	J129-2 602199-001	J201-4b	WHT/BLU	407408 CABLE 2	40"	0151 Lo
313	J129-3 602199-001	J201-3d	WHT/ORN	407408 CABLE 2	40"	0152 Hi
314	J129-4 602199-001	J201-4d	WHT/GRY	407408 CABLE 2	40"	0152 Lo
315	J129-5 602199-001	J201-3e	WHT/YEL	407408 CABLE 2	40"	0153 Hi
316	J129-6 602199-001	J201-4e	WHT/BLK BRN	407408 CABLE 2	40"	0153 Lo
317	J129-7 602199-001	J201-1a	BLK	407408 CABLE 2	40"	0154 Hi
318	J129-8 602199-001	J201-2a	GRN	407408 CABLE 2	40"	0154 Lo
319	J129-9 602199-001	J201-1b	BRN	407408 CABLE 2	40"	0155 Hi

DOC. NO. 407440

RACAL Instruments, Inc., 4 Goodyear St., Irvine, CA 92718			
DOCUMENT TITLE	SIZE	CODE NO.	DOCUMENT NO.
HARNESS ASSEMBLY, 1260-38, TTI	A	21793	407440
	DRN		SHEET 18 of 19
			REV C

ENGINEERING WIRE LIST

WIRE	FROM	TO	TYPE	PART #	WIRE LEN	REFERENCE
320	J129-10 602199-001	J201-2b	BLU	407408 CABLE 2	40"	0155 Lo
321	J130-1 602199-001	J201-1d	ORN	407408 CABLE 2	40"	0156 Hi
322	J130-2 602199-001	J201-2d	GRY	407408 CABLE 2	40"	0156 Lo
323	J130-3 602199-001	J201-1e	YEL	407408 CABLE 2	40"	0157 Hi
324	J130-4 602199-001	J201-2e	WHT	407408 CABLE 2	40"	0157 Lo
325	J130-5 602199-001	J201-15c	WHT/BLK YEL/GRN	407408 CABLE 2	40"	COM12 Hi
326	J130-6 602199-001	J201-16c	WHT/BLK GRN/VIO	407408 CABLE 2	40"	COM12 Lo
327	J130-7 602199-001	J201-9c	WHT/ORN BLU	407408 CABLE 2	40"	COM13 Hi
328	J130-8 602199-001	J201-10c	WHT/YEL VIO	407408 CABLE 2	40"	COM13 Lo
329	J130-9 602199-001	J201-7c	WHT/BRN VIO	407408 CABLE 2	40"	COM14 Hi
330	J130-10 602199-001	J201-8c	WHT/RED BLU	407408 CABLE 2	40"	COM14 Lo
331	J131-1 602199-001	J201-1c	RED	407408 CABLE 2	40"	COM15 Hi
332	J131-2 602199-001	J201-2c	VIO	407408 CABLE 2	40"	COM15 Lo
333	J131-3 602199-001	J201-11c	WHT/BLU VIO	407408 CABLE 2	40"	COM12R Hi
334	J131-4 602199-001	J201-12c	WHT/BLK BRN/YEL	407408 CABLE 2	40"	COM12R Lo
335	J131-5 602199-001	J201-3c	WHT/RED	407408 CABLE 2	40"	COM14R Hi
336	J131-6 602199-001	J201-4c	WHT/VIO	407408 CABLE 2	40"	COM14R Lo
337	J131-7 602199-001	J201-14c	WHT/BLK ORN/YEL	407408 CABLE 2	40"	COM121W
338	J131-8 602199-001	J201-13c	WHT/BLK RED/YEL	407408 CABLE 2	40"	COM121WR
339	J131-9 602199-001	J201-6c	WHT/BRN RED	407408 CABLE 2	40"	COM141W
340	J131-10 602199-001	J201-5c	WHT/BLK YEL	407408 CABLE 2	40"	COM141WR

DOC. NO. 407440

RACAL Instruments, Inc., 4 Goodyear St., Irvine, CA 92718						
DOCUMENT TITLE			SIZE	CODE NO.	DOCUMENT NO.	REV
HARNESS ASSEMBLY, 1260-38, TTI			A	21793	407440	C
				SHEET 19 of 19		

This page was left intentionally blank.

Chapter 7

PRODUCT SUPPORT

Product Support

Racal Instruments has a complete Service and Parts Department. If you need technical assistance or should it be necessary to return your product for repair or calibration, call 1-800-722-3262. If parts are required to repair the product at your facility, call 1-949-859-8999 and ask for the Parts Department.

When sending your instrument in for repair, complete the form in the back of this manual.

For worldwide support and the office closes to your facility, refer to the Support Offices section on the following page.

Reshipment Instructions

Use the original packing material when returning the 1260-38 to Racal Instruments for calibration or servicing. The original shipping crate and associated packaging material will provide the necessary protection for safe reshipment.

If the original packing material is unavailable, contact Racal Instruments Customer Service for information.

Support Offices

Racal Instruments, Inc.

4 Goodyear St., Irvine, CA 92618-2002
Tel: (800) RACAL-ATE, (800) 722-2528,
(949) 859-8999; FAX: (949) 859-7139

Racal Instruments, Ltd.

480 Bath Road, Slough, Berkshire, SL1 6BE, United Kingdom
Tel: +44 (0) 1628 604455; FAX: +44 (0) 1628 662017

Racal Systems Electronique S.A.

18 Avenue Dutartre, 78150 LeChesnay, France
Tel: +33 (1) 3923 2222; FAX: +33 (1) 3923 2225

Racal Systems Elettronica s.r.l.

Strada 2-Palazzo C4, 20090 Milanofiori Assago, Milan, Italy
Tel: +39 (0)2 5750 1796; FAX +39 (0)2 5750 1828

Racal Elektronik System GmbH.

Technologiepark Bergisch Gladbach, Friedrich-Ebert-Strasse,
D-51429 Bergisch Gladbach, Germany
Tel.: +49 2204 8442 00; FAX: +49 2204 8442 19

Racal Australia Pty. Ltd.

3 Powells Road, Brookvale, NSW 2100, Australia
Tel: +612 9936 7000, FAX: +612 9936 7036

Racal Electronics Pte. Ltd.

26 Ayer Rajah Crescent, 04-06/07 Ayer Rajah Industrial Estate,
Singapore 0513.
Tel: +65 7792200, FAX: +65 7785400

Racal Instruments, Ltd.

Unit 5, 25F., Mega Trade Center, No 1, Mei Wan Road, Tsuen
Wan, Hong Kong, PRC
Tel: +852 2405 5500, FAX: +852 2416 4335